

# TEMPERATURE TRANSMITTERS FOR HVAC

RTD Input, 2-wire, 4~20 mA Output

# TTA201



Accuracy :  $\pm 0.3$  °C



Space (Wall), Duct,  
Outside Air, Panel Enclosures



°C or °F



Input  
Pt100, Pt1000, Pt50, Pt200, Pt500



Output  
4-20 mA or 20-4 mA

# TEMPERATURE TRANSMITTERS FOR HVAC

RTD Input, 2-wire, 4~20 mA Output

# TTA201

## HEALTH/STATUS LED



## SPACE , DUCT, OUTSIDE AIR, PANEL ENCLOSURES



INDOOR, WALL



SS PLATE  
FOR PANEL



OUTSIDE AIR / WALL



DUCT

## 2-PART HOUSING WITH FIXED BACK & REMOVABLE ELECTRONICS FOR CONVENIENT INSTALLATION



# TEMPERATURE TRANSMITTERS FOR HVAC

RTD Input, 2-wire, 4~20 mA Output

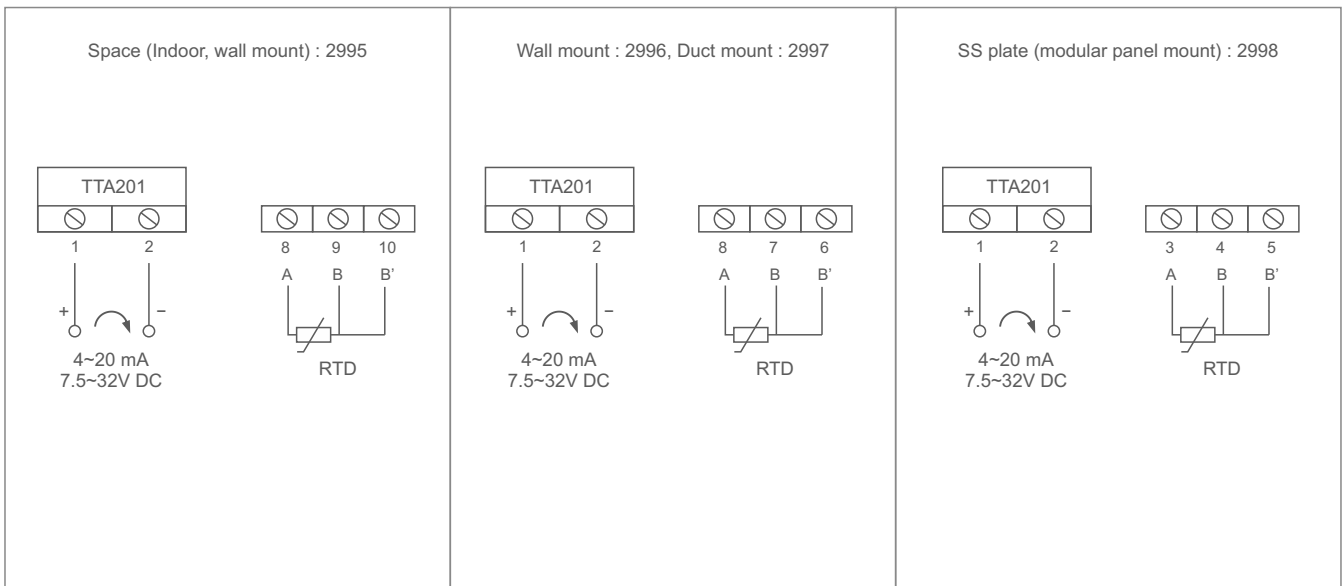
# TTA201

## APPLICATIONS

- Commercial buildings
- Outdoor temperature
- Greenhouses
- Swimming halls
- Storage rooms & cooling chambers
- Air economizers, Air quality

## CONNECTION DIAGRAMS

### 4~20 mA loop powered output



# TEMPERATURE TRANSMITTERS FOR HVAC

RTD Input, 2-wire, 4~20 mA Output

# TTA201

## SPECIFICATIONS

All specifications at ambient of 25 °C, unless specified otherwise

INPUT					
Sensor type	RTD - Pt100, Pt1000, Pt50, Pt200, Pt500 ( $\alpha = 0.00385$ ) (default : Pt100)				
MONITORING					
Sensor break detection	Upscale ~ 25 mA, Downscale ~ 3 mA (default : upscale)				
ON LED	Provided				
OUTPUT					
Current	4~20 mA, 20~4 mA (factory set)				
Current limit	~25 mA				
Permissible load	650 $\Omega$ @ 24V DC, 22 mA				
RANGES					
Ranges	See Ordering Information, Preferred Order Codes				
ACCURACY					
Linearity & calibration	$\pm 0.3$ °C				
Temperature effect on accuracy	$\pm 0.5\%$ of span / 25 °C				
	$\pm 0.6\%$ of span / 50 F°				
Supply voltage / load effect	$\pm 0.002\%$ of span / V				
POWER SUPPLY					
Supply voltage	7.5 to 32V DC				
Power consumption	<600 mV @ 24V DC, 25 mA				
TEMPERATURE, HUMIDITY					
Ambient, storage	-20 to +80 °C (-5 to +176 °F)				
Ambient, operation	-20 to +55 °C (-5 to +160 °F)				
	Duct tube <80 °C				
Relative humidity	0 ~ 95% RH non-condensing				
MECHANICAL					
Dimensions	Fig 1	Fig 2	Fig 3	Fig 4	Fig 2
Mounting	Space (Indoor, wall mount)	Surface mount	Duct mount	Modular panel mount	Outside Air (OSA)
Sensor filter	N/A	PTFE	PTFE	SS304	SS304
Enclosure material	Polycarbonate	Polycarbonate	Polycarbonate	Stainless steel	Polycarbonate
Protection	IP30	IP65 except sensor	IP65 except sensor	IP20	IP65
Sensor housing	N/A	Polycarbonate	Polycarbonate	Stainless steel	Polycarbonate

Note : For °F, ranges not specified, etc. please contact sales@radix.co.in

# TEMPERATURE TRANSMITTERS FOR HVAC

RTD Input, 2-wire, 4~20 mA Output

# TTA201

## DIMENSIONS mm

Fig 1 : Space (Indoor, wall mount)

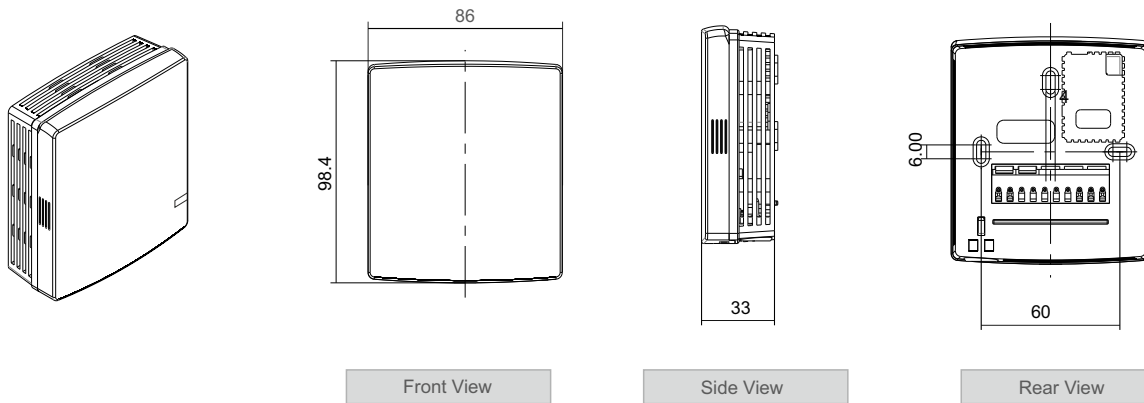
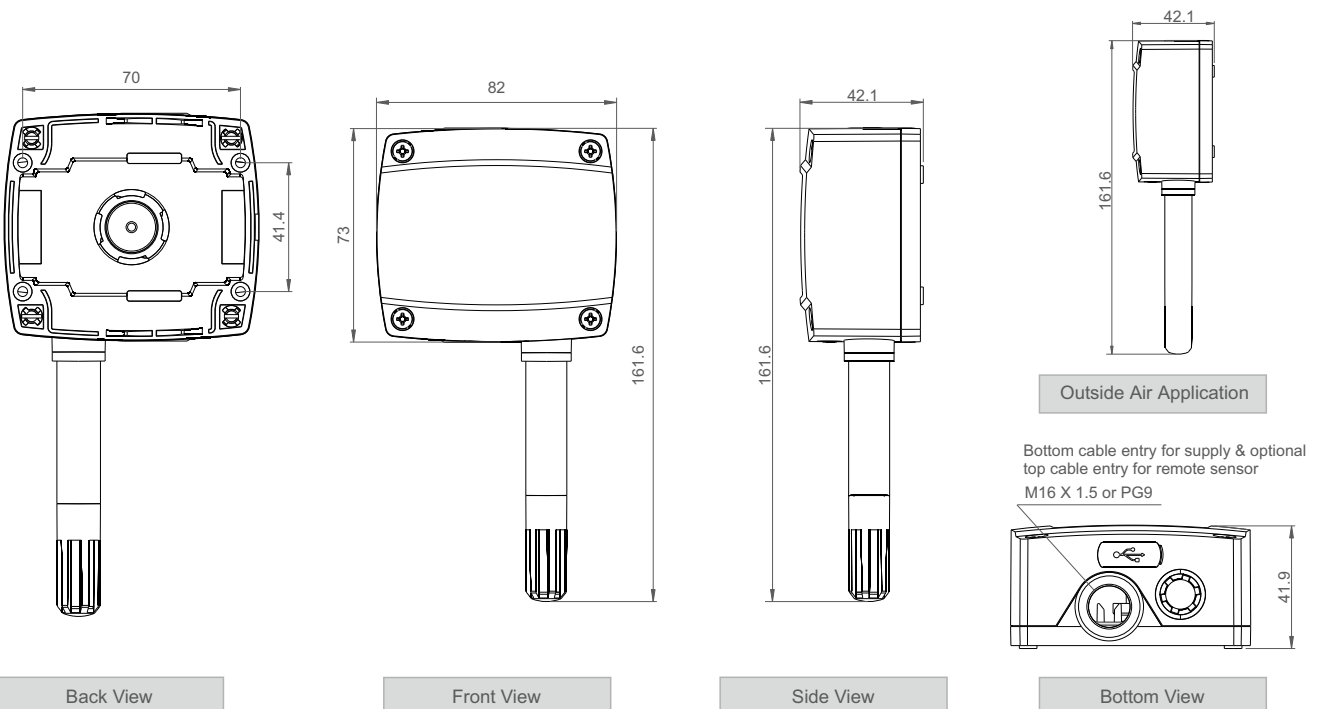


Fig 2 : Wall mount

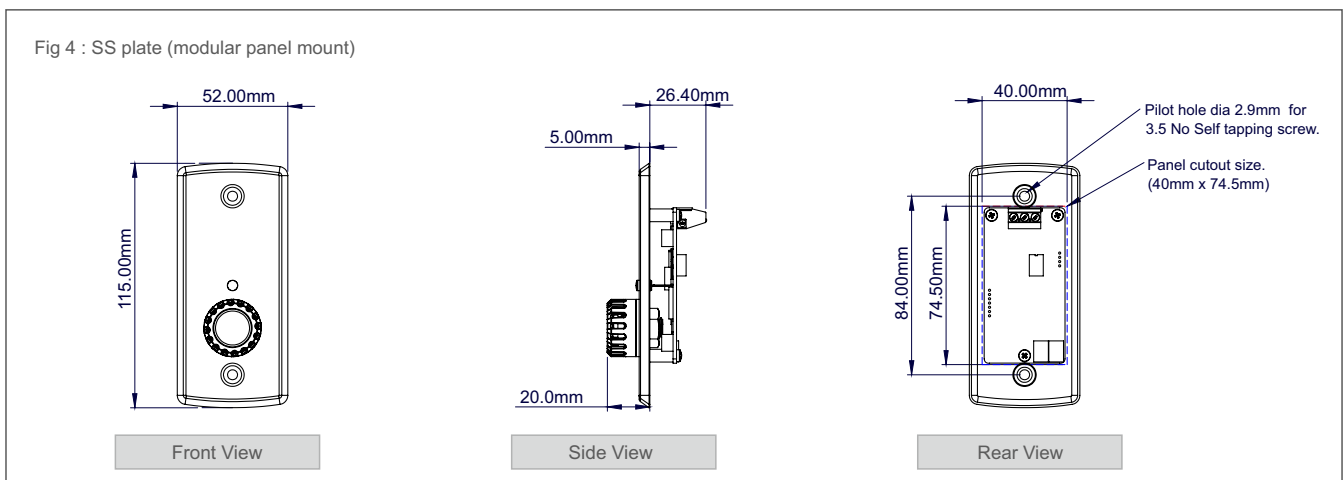
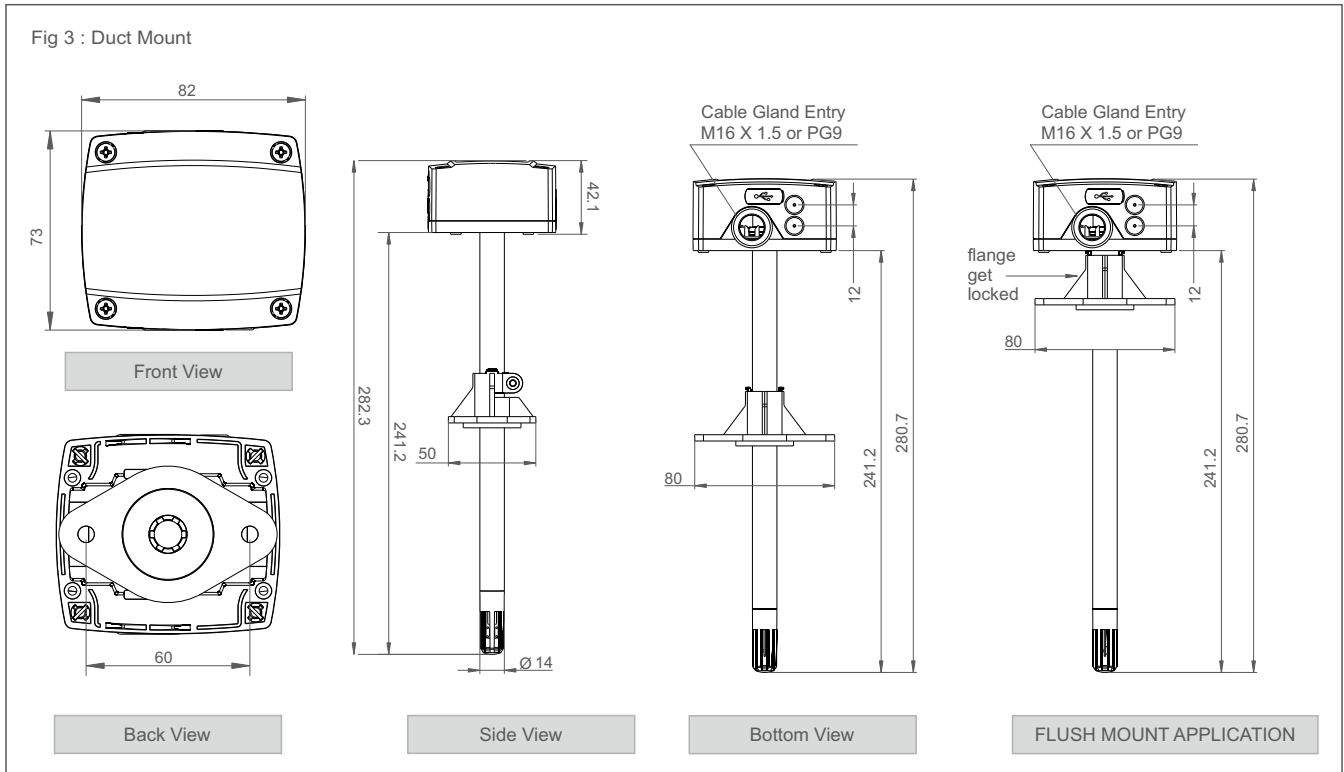


# TEMPERATURE TRANSMITTERS FOR HVAC

RTD Input, 2-wire, 4~20 mA Output

# TTA201

## DIMENSIONS mm



## FEATURES SUMMARY

- Accurate :  $\pm 0.3$  °C temperature linear 4~20 mA output
- Health / status LED
- Pt100, Pt1000, Pt50, Pt200, Pt500
- Convenient installation with 2-part housing with fixed back and removable electronics
- Span and zero calibration with zero / span potentiometers

# TEMPERATURE TRANSMITTERS FOR HVAC

RTD Input, 2-wire, 4~20 mA Output

# TTA201

## ORDERING INFORMATION

CODE	SPECIFICATIONS	1	2	3	4
2995	Space (Indoor, wall mount)				
2996	Wall mount (Indoor)				
2997	Duct mount				
2998	SS plate (modular panel mount)				
3008	Outside air (OSA)				
1	<b>RTD Type</b>				
	Pt100	A			
	Pt1000	B			
	Pt50	C			
	Pt200	D			
2	<b>Temperature Output</b>				
	2-wire, 4~20 mA analog output		1		
	2-wire, 20~4 mA analog output		2		
3	<b>Range</b>				
	0 ~ 50 °C			A	
	0 ~ 100 °C			B	
	-40 ~ +60 °C			C	
	-50 ~ +50 °C			D	
	0 ~ 35 °C			E	
4	<b>Test and Calibration Report</b>				
	No				1
	Yes (On chargeable basis)				2

Note : For °F, ranges not specified, etc. please contact sales@radix.co.in

CODE-1-2-3-4

Order Code Format : XXXX-X-X-X-X

Example

Space (Indoor, wall mount), Pt100, 2-wire, 4~20 mA analog output, 0 ~ 50 °C

2995-A-1-A-1

## PREFERRED ORDER CODES

Enclosure	RTD Type (X)	Range (Y)	Preferred Order Code
Space	Pt100, Pt1000 (A, B)	0 ~ 50 °C, 0 ~ 100 °C, -50 ~ +50 °C (A, B, D)	2995-X-1-Y-1
Wall mount, indoor	Pt100, Pt1000 (A, B)	0 ~ 50 °C, 0 ~ 100 °C, -50 ~ +50 °C (A, B, D)	2996-X-1-Y-1
Duct mount	Pt100, Pt1000 (A, B)	0 ~ 50 °C, 0 ~ 100 °C, -50 ~ +50 °C (A, B, D)	2997-X-1-Y-1
Modular panel mount	Pt100, Pt1000 (A, B)	0 ~ 50 °C, 0 ~ 100 °C, -50 ~ +50 °C (A, B, D)	2998-X-1-Y-1
Outside air	Pt100, Pt1000 (A, B)	0 ~ 50 °C, 0 ~ 100 °C, -50 ~ +50 °C (A, B, D)	3008-X-1-Y-1

ENQUIRIES

Instruments: sales@radix.co.in • + 91 9324934061  
 Sensors: sensors@radix.co.in • + 91 9321415829  
 Gauges: gauges@radix.co.in • + 91 8591305907  
 Automation: automation@radix.co.in • + 91 9320997925  
 Level: level@radix.co.in • + 91 8591305907  
 Flow: flow@radix.co.in • + 91 8591305907

**RADIX ELECTROSYSTEMS PVT LTD**  
 EL-135/136/137, Electronics Zone, TTC Indl. Area, MIDC, Mahape  
 Navi Mumbai - 400 710, India  
 + 91 22 9324934061 • sales@radix.co.in