

- %RH using wet & dry bulb temperature
- Two inputs for T_{DRY} & T_{WET}
- Input type : 4~20 mA/RTD
- 0 / 2 setpoints for %RH / T_{DRY}
- Isolated 0/4~20 mA or 0~10 V DC retransmission outputs corresponding to %RH
- 24 V DC transmitter supply
- 85~265 V AC or 20~35 V DC supply

SPECIFICATIONS All specifications at ambient of 25 °C, unless specified otherwise

INPUTS

No. of inputs 2 (T_{DRY}, T_{WET})
Transmitter supply 22 V nominal, 30 mA max
Range limits % RH : 0 ~ 100 % RH
 T_{DRY}, T_{WET} : -20 ~ 100 °C
Accuracy Instrument only : ±0.5% RH
 Instrument with class 'A' Pt100 RTD : ±2% RH

INDICATION

Upper display 4 digit, 7 segment 0.56" (14.2 mm) green LED display
 Parameter % RH corresponding to wet & dry bulb temperature
Lower display 4 digit, 7 segment 0.56" (14.2 mm) red LED display
 Parameters a) Dry bulb temperature
 b) Wet bulb temperature
 c) Difference between dry & wet bulb temperature
 d) Setpoint 1
LED indicators Relay status
 Lower row parameter indication

OUTPUTS

No. of relays 0 / 2
Relay contact type NO-C-NC
Relay contact rating 5A / 230V AC, resistive
SSR drive 12 V DC drive signal for external SSR
No. of analog outputs 0 / 1 (current or voltage)
Current output 4~20 mA / 0~20 mA / 20~4 mA / 20~0 mA isolated from input 500 ohms
Maximum load for current output
Voltage output 0~10 V / user specified
Load for voltage output >10 Kohms
SENSOR
Order code 2334-01
Cable length 5 metres

SPECIFICATIONS All specifications at ambient of 25 °C, unless specified otherwise

PROGRAMMABLE PARAMETERS

Input type	4 ~ 20 mA / RTD
Unit	°C / °F for TDRY, TWET
High scale / Setpoint.high limit	Full range
Low scale / Setpoint low limit	Full range
Digital Filter	Off / A to E
Resolution for % RH	1 / 0.1
Resolution for TDRY, TWET	1 / 0.1
Bias for %RH, TDRY & TWET	-10.0 ~ 10.0
Relay assignment	%RH / TDRY
Setpoints	Upto setpoint limits
Hysterisis	0.1 to 99.9
Relay control logic	Onoff / Time Proportional mode
Relay mode	Humidify / Heat Dehumidify / Cool Full scale high alarm Full scale low alarm Deviation high alarm Deviation low alarm In band alarm Out band alarm

Relay type

None / Latch / Hold / Latch + Hold

Alarm acknowledge

Key used to reset relay in Latch mode

Relay action

Reverse / Direct

Setpoint lock

ON/OFF

Program lock

ON/OFF

OTHER

Programming

Through 3 tactile keys

Dimensions (in mm)

96(H) x 96(W) x 100(D)

Mounting

Panel mount

Panel cutout

92 x 92 mm

Supply voltage

a) 85~265 V AC, 50/60 Hz

b) 20~35 V DC (optional)

4 watts maximum

Power consumption

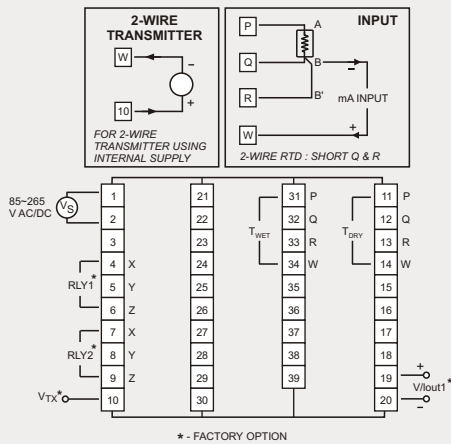
Operating ambient temperature

0~50 °C

Relative humidity

Below 90%, non condensing

CONNECTION DIAGRAM



STK-538

ORDERING INFORMATION

- RHC201 will be supplied with the following standard specifications :

Input	2 x Pt100, 3-wire
-------	-------------------

- Sensor 2334-01 (with 5 metre cable) is included with the instrument

ORDER CODE

2286

A

A	Configuration	
	Relay	Analog output (4~20 mA)
01	0	0
02	2	0
03	2	1

Ordering Options

The following ordering options are available on request. Minimum order quantity and/or minimum order value may apply.

	Option	Details
1.	Input	2 x 4~20 mA (with Tx supply)
2.	Analog output	0~10 V DC
3.	Supply voltage	20~35 V DC
4.	Sensor cable length	10, 15, 20 mtrs

RADIX ELECTROSYSTEMS PVT LTD

B-14, 2nd Floor, Ghanshyam Indl Estate
Veera Desai Road, Andheri (West)
Mumbai - 400 053, India
+ 91 22 42537777 | sales@radix.co.in

OTHER ENQUIRIES

Instruments sales@radix.co.in
Sensors sensors@radix.co.in
Gauges gauges@radix.co.in
Automation automation@radix.co.in