

VOLTAGE / CURRENT TRANSDUCER

Class 0.5, Class 0.2

1500 V AC
isolation

22.5 mm wide
DIN rail enclosure



INTRODUCTION

SCC402 is a 3-port Voltage / Current Transducer used for measuring AC and DC voltage/current, and generates an isolated current or voltage output. It has exceptionally high accuracy and stability.

FEATURES

- Input : AC Volts, AC Amps, DC Volts, DC Amps
- Output : 0/4~20 mA, 0~1/5/10 V DC
- Supply : 20~36 V DC, 85~265 V AC / 50/60 hz

VOLTAGE / CURRENT TRANSDUCER

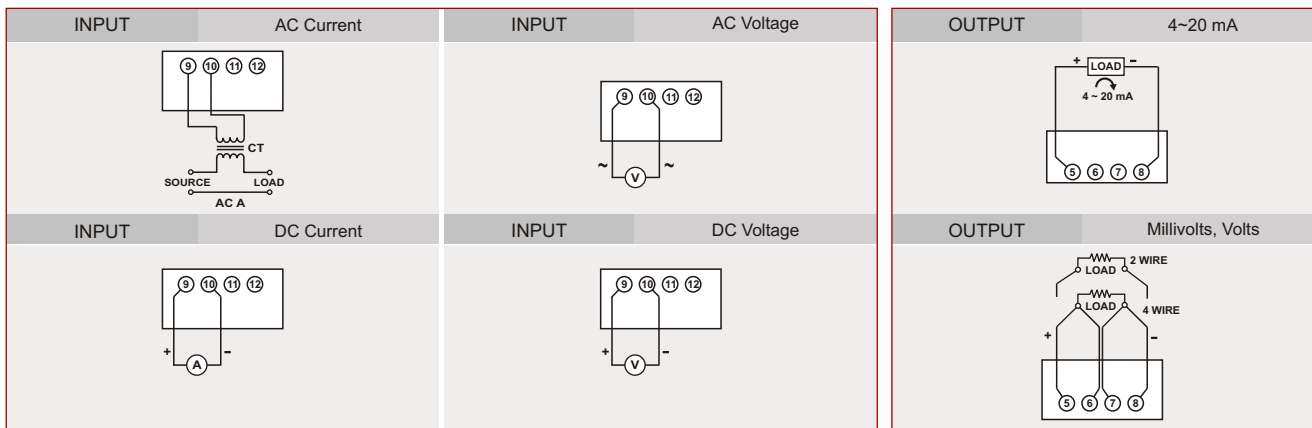
SPECIFICATIONS

All specifications at ambient of 25 °C unless specified otherwise

INPUTS Input types AC/DC Voltage AC/DC Current Input range		Specify any one listed below 0~100 V AC, 0~250 V AC 0~100 V DC, 0~300 V DC, etc. 0~1 A AC, 0~5 A AC, 0~1 A DC, 0~2 A DC, etc. User specified	ACCURACY Accuracy Temperature effect on accuracy		Class 0.5, Class 0.2 (0.5% / 0.2% of span) ± 0.02% span / °C
ADJUSTMENTS Zero, span		Multiturn potentiometers	ISOLATION Mutual isolation between input / output / supply		1500 V AC RMS / 1 minute, 250 V AC RMS continuous
OUTPUTS Output types Input / Output relation Current limit		Current - 0~20 mA, 4~20 mA (Load 600 Ω max) Voltage - 0~1 V DC, 0~10 V DC (Load 1 mA max) Output is proportional to input signal - no linearisation of input is done Current output - 25 mA Voltage output - 10 mA	POWER SUPPLY Supply voltage		20~36 V DC 85~265 V AC, 50/60 hz
			ENCLOSURE Material Dimensions (in mm) Mounting Connection, single/stranded wires		Nylon 6 (PA66) 100(H) x 22.5(W) x 114(D) Snap on for 35 mm DIN rail to DIN 46277 ≤ 2.5 mm ² , AWG 14
			TEMPERATURE, HUMIDITY Ambient, operation Relative humidity		0 to 60 °C 0 ~ 95%

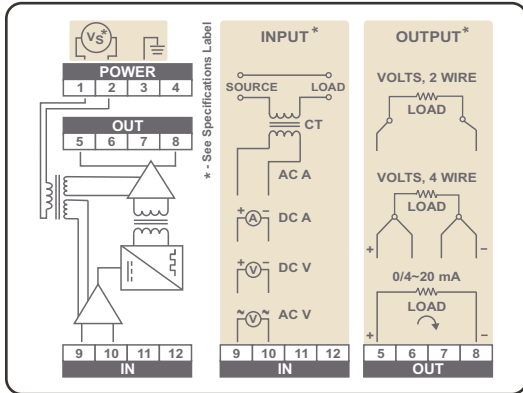
INPUT & OUTPUT CONNECTIONS

SCC402 can be supplied with any combination of input/output. Examples & options are given below.

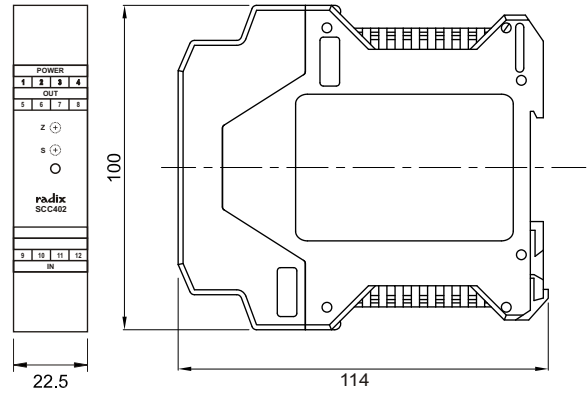


VOLTAGE / CURRENT TRANSDUCER

ELECTRICAL CONNECTIONS



DIMENSIONS



ORDERING INFORMATION

2375 - □ - □ - □ - □
A B C D

Product code	A	Supply voltage	B	Input	C	Output	D	Accuracy
2375	1	20-36 V DC	01	0-1 A AC	01	4-20 mA DC	1	Class 0.5
	2	85-265 V AC	02	0-2 A AC	02	0-20 mA DC	2	Class 0.2
			03	0-5 A AC	03	0-1 V DC		
			04	0-1 A DC	04	0-5 V DC		
			05	0-2 A DC	05	0-10 V DC		
			06	0-5 A DC				
			07	* V AC				
			08	* V DC				

* Please specify input range

Low Scale	Hi Scale
-----------	----------

Example

Order code for 0-2 A AC i/p, 4-20mA o/p, SMPS supply, Accuracy Class 0.5 = **2375-2-02-01-1**

Preferred Order Codes

Order code	Supply voltage	Input type	Output	Accuracy	Range	
					Low	High
2375-2-01-01-1	85-265 V AC	0-1 A AC	4-20 mA DC	Class 0.5		
2375-1-01-01-1	20-36 V DC	0-1 A AC	4-20 mA DC	Class 0.5	0	300
2375-2-07-01-1	85-265 V AC	V AC	4-20 mA DC	Class 0.5	0	300
2375-1-07-01-1	20-36 V DC	V AC	4-20 mA DC	Class 0.5	0	300

Non-standard Outputs

Output	Remark
0-40 mV	
0-100 mV	
K T/C	
Loop powered, 4-20 mA	
Other	Specify details

SCC402 can be supplied with a variety of non-standard inputs & outputs. Please give details. Minimum order quantity and/or minimum order value may apply.

ENQUIRIES

Instruments: sales@radix.co.in
Sensors: sensors@radix.co.in
Gauges: gauges@radix.co.in
Automation: automation@radix.co.in
Level: level@radix.co.in

RADIX ELECTROSYSTEMS PVT LTD
EL-135/136/137, Electronics Zone
TTC Indl. Area, MIDC, Mahape
Navi Mumbai - 400 710, India
+ 91 22 42537777 • sales@radix.co.in

