



- Ultra accurate : 0.05% of reading
- Upto 2 alarms, independently programmable
- Alarms can be disabled at power ON
- Programmable setpoints, scale factor and relay modes
- Application : RPH, RPM, RPS, Meters/Minute, Mains frequency, Zero speed switch, etc.
- Measures upto 5 khz
- Isolated programmable 4~20 mA retransmission output
- Inputs : Proximity switch, voltage pulses, limit switches, electromagnetic pickup, etc.

SPECIFICATIONS

All specifications at ambient of 25 °C, unless specified otherwise

INPUTS

Input types

- Proximity switch, photo electric switch (+12 V DC provided)
- Limit switch, microswitch, etc. (potential free contact closure)
- Electromagnetic pickup - 3-wire, 2-wire (optional)
- Voltage pulses (5~30 V DC)

Maximum input frequency Range

5 KHz
4 Digit
 0.001 to 5000 RPS
 0.06 to 9999 RPM
 3.6 to 9999 RPH

Accuracy

6 Digit
 0.001 to 5000 RPS
 0.06 to 300000 RPM
 3.6 to 999999 RPH
 ± 0.05% of reading,
 ± 2 counts typical
 Automatic
 Up (incrementing)
 Down (decrementing)

Auto ranging Counting modes

INDICATION

Upper display

4/6 digit, 7 segment 0.3" red LED display

Lower display

4/6 digit, 7 segment 0.3" green LED display

Displayed Parameters
Upper display
Lower display

Rate
 Setpoint1

OUTPUTS

No. of relays
Relay contact type

0, 1, 2
 NO-C-NC (RLY1)
 NO-C-NC (RLY2)

Relay contact rating
No. of analog outputs
Current output

5A / 230V AC, resistive
 1 (current or voltage)
 4~20 mA / 0~20 mA / 20~4 mA /
 20~0 mA, isolated from input
 500 ohms

Maximum load for current output

Voltage output
Load for voltage output
Mutual Isolation between
Input/Output/Supply

0~10 V / user specified
 >10 Kohms
 1 KV AC/1 Minute

PROGRAMMABLE PARAMETERS

Scale factor

b.no x 10ⁿ
 4 digit : 0.001 to 9999
 6 digit : 0.00001 to 999999

Base no (b.no)

Exponent (n)
Rate unit *

-5 to 2
 RPS (hz),
 RPM,
 RPH

Minimum rate *

0.001 to 2 RPS (hz),
 0.06 to 120 RPM,
 3.6 to 7200 RPH

Maximum display resolution

* (RPS/RPM/RPH = Rate per second / minute / hour)
 0.001,
 0.01,
 0.1,
 1

Setpoint, Program,

ON/OFF

OTHER

Keyboard
Enclosure construction

Tactile, 3 keys
 Plug-in (circuit removable without affecting terminal wiring)

Dimensions (in mm)

48(H) x 96(W) x 100(D)

Mounting

Panel mount

Panel cutout

44 x 92 mm

Supply voltage

85~265 V AC, 50/60 Hz

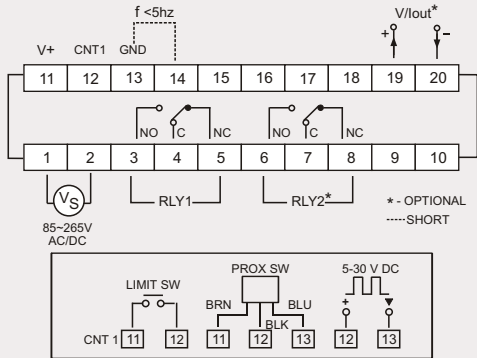
Operating ambient temperature

0~50 °C

Relative humidity

Below 90%, non condensing

CONNECTION DIAGRAM



ORDERING INFORMATION

2252 A

A	Configuration		
	4 Digit	6 Digit	4~20 mA output
00	✓	x	x
01	x	✓	x
02	✓	x	✓
03	x	✓	✓

Ordering Options

The following ordering options are available on request. Minimum order quantity and/or minimum order value may apply.

	Option	Details
1.	Electromagnetic pickup	3-wire
2.	Electromagnetic pickup	2-wire
3.	Analog output	0~10 V DC
4.	Supply voltage	20~35 V DC



RADIX ELECTROSYSTEMS PVT LTD
 EL-135/136/137, Electronics Zone
 TTC Indl. Area, MIDC, Mahape
 Navi Mumbai - 400 710, India
 + 91 22 42537777 | sales@radix.co.in

OTHER ENQUIRIES

Instruments sales@radix.co.in
Sensors sensors@radix.co.in
Gauges gauges@radix.co.in
Automation automation@radix.co.in