

Model No. : 101.000 Contact Gauge, Bourdon Tube

**INDUSTRIAL AND PROCESS APPLICATIONS**

Designed for control of pressure and audible or visible alarms by switching on and off action.

Used in pumps, Motors, Turbines, Blowers, Audio/ Visual alarms for signaling irregularities.

**Special Features**

- Adjustable, snap action contact
- Standard 1NC+1NO switching function.
- Scale ranges upto 0...1000 Kg/cm2.
- Single or four arm contact with different switching function can also be offered.

**Design**

IS 3624 - 1987 ( in gen)

**Nominal Dial Size**

100 and 150 mm

**Accuracy (As per IS : 3624 - 1987)**

: ± 1.6% of FSD

**Scale Ranges**

0 ...1 kg/cm<sup>2</sup> to 0 ... 1000 kg/cm<sup>2</sup> (Single range)  
 0 ...1.06 kg/cm<sup>2</sup>/15 psi to 0 ... 700 kg/cm<sup>2</sup>/10000 psi (Dual range)

or other equivalent units of pressure

**Working Pressure**

Steady : 75% of FSD  
 Fluctuating : 50% of FSD  
 Short Time : FSD

**Operating Temperature**

**Ambient** : -20 to 60 °C

**Medium** : 80 °C Max.

**Temperature Effect**

When temperature of the pressure element deviates from reference temperature (+30 °C):  
 max. ±0.4 %/10 K of true scale value

**Pressure Element**

Bourdon tube, Stainless Steel 316L  
 ≤70 Kg/cm<sup>2</sup> : C type  
 >100 Kg/cm<sup>2</sup> : Helical type

**Movement**

SS304

**Dial**

Off-white aluminium with pointer stop pin, with black lettering



**Pointer**

Black Aluminium

**Case & Bezel**

Threaded Aluminium, Black finish

**Window**

Acrylic

**Process Connection**

**Material** : SS316 / SS304

**Standard Thread** : 3/8" or 1/2" BSP/NPT

**Mounting**

(DB) Direct mounting bottom entry  
 (BDM) Direct mounting back entry  
 (FPB) Flush mounting back entry with bracket  
 (SM) Surface mounting bottom entry

**BOD (Vent Plug)**

Neoprene

**Electrical Contact**

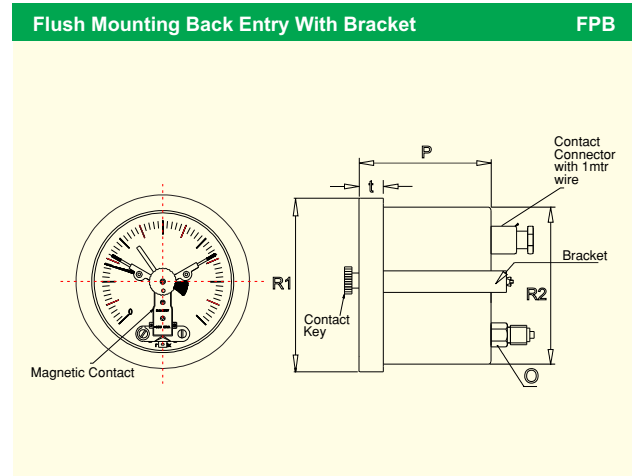
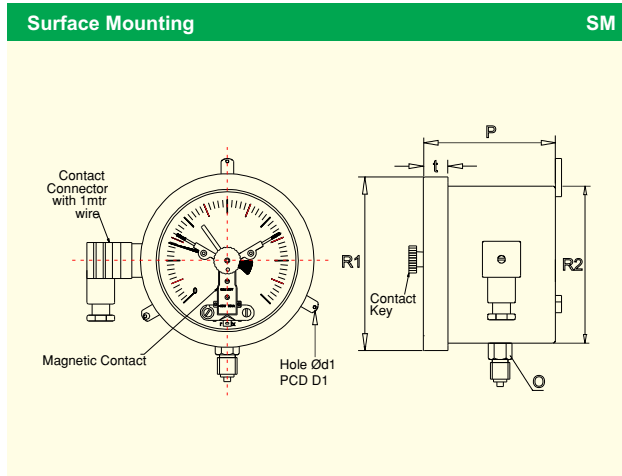
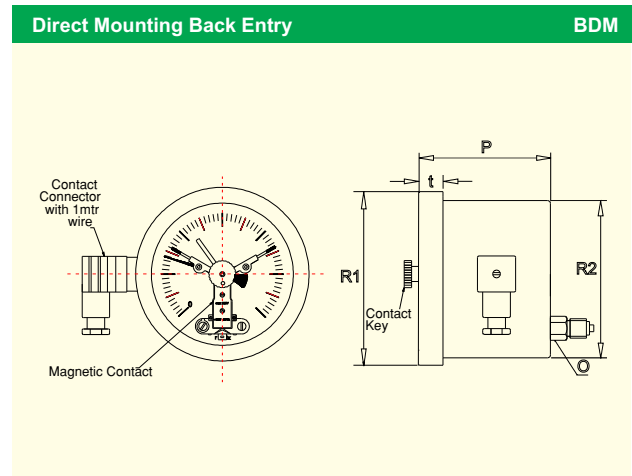
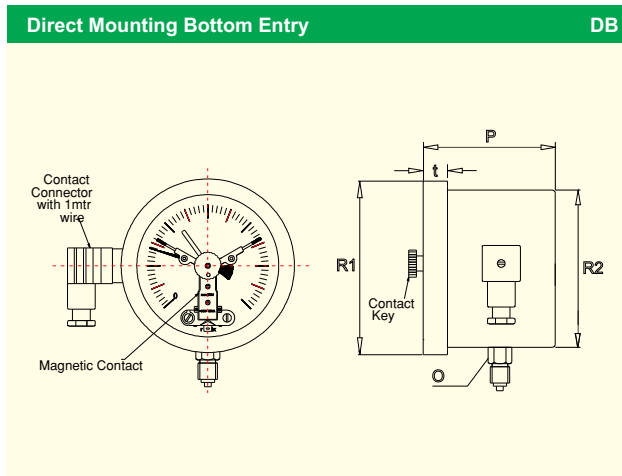
**Type** : Magnetic snap action contact  
**Rated** : max. 250 V, 1 Amp.  
**Capacity** : 30 Watt, 50 VA  
**Function** : 1NC+1NO  
**Termination** : Square terminal box  
**Accessories** : Round key (for adjusting contact arms)



**Optional Extra**

- Other process connection
- Other Contacts with different switching functions
- ✍ Single or four arm contact
- ✍ 1NO+1NC, 2NO, 2 NC, 2NC+ NO and 2NO+2NC switching function

**Dimensions**

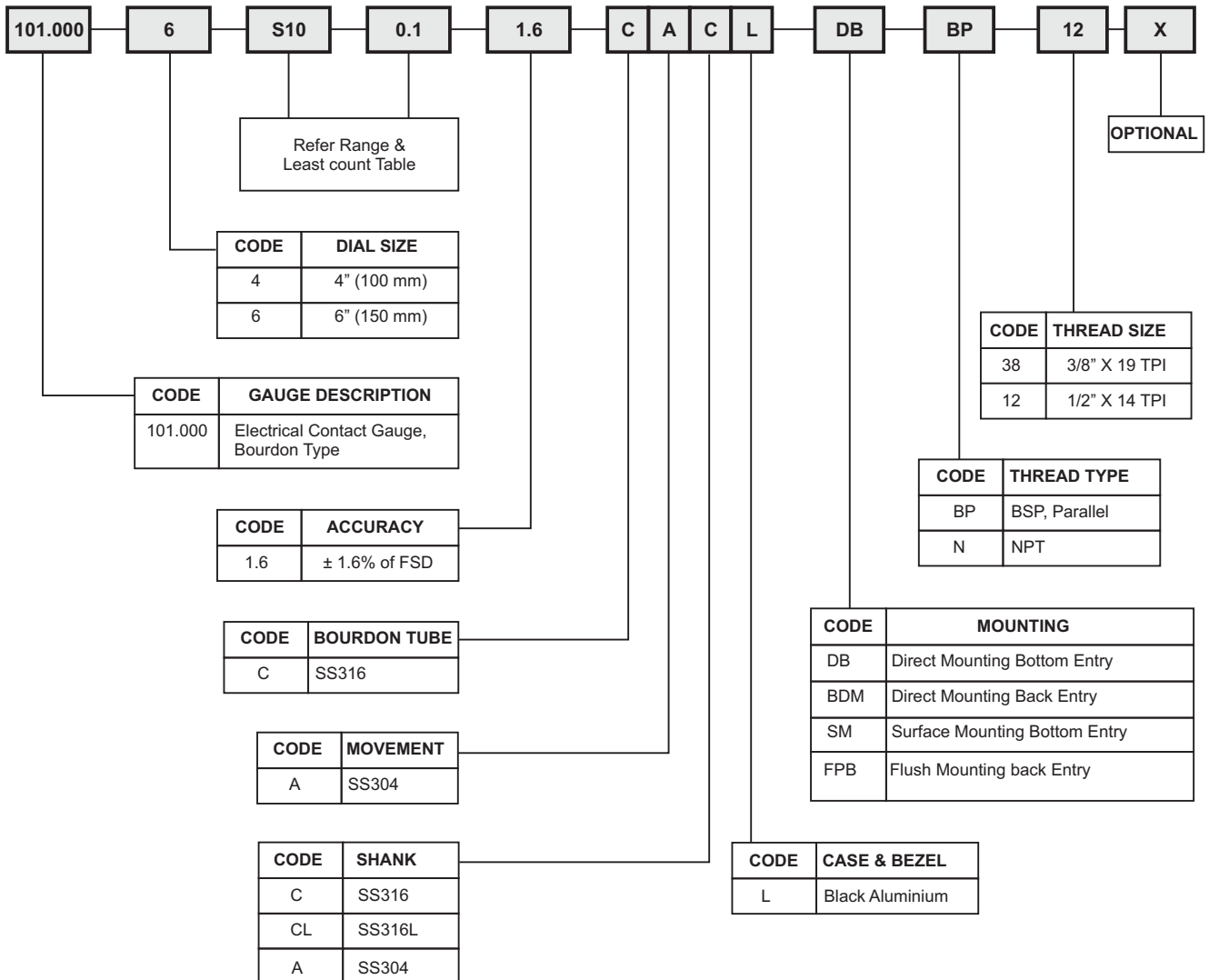


DIAL SIZE	R1	R2	t	P	O	D1	d1
100	117	105	17.5	98	22	116	5
150	170	157	17.5	98	22	171	5

- All dimensions are in mm

**HOW TO ORDER**

**ITEM CODE**



**ALSO AVAILABLE**



**GLYCERINE FILLED  
BOURDON TUBE GAUGE**



**SEALED DIAPHRAGM GAUGE**



**LOW PRESSURE  
DIAPHRAGM GAUGE**



**COMPACT CAPSULE GAUGE**

**STANDARD RANGES & LEAST COUNT**

CODE	RANGE	LEAST COUNT
<i>( Single scale )</i>		
S1	0 to 1 kg/cm <sup>2</sup>	0.01 kg/cm <sup>2</sup>
S1.6	0 to 1.6 kg/cm <sup>2</sup>	0.025 kg/cm <sup>2</sup>
S2	0 to 2 kg/cm <sup>2</sup>	0.025 kg/cm <sup>2</sup>
S2.5	0 to 2.5 kg/cm <sup>2</sup>	0.025 kg/cm <sup>2</sup>
S4	0 to 4 kg/cm <sup>2</sup>	0.05 kg/cm <sup>2</sup>
S6	0 to 6 kg/cm <sup>2</sup>	0.1 kg/cm <sup>2</sup>
S10	0 to 10 kg/cm <sup>2</sup>	0.1 kg/cm <sup>2</sup>
S16	0 to 16 kg/cm <sup>2</sup>	0.25 kg/cm <sup>2</sup>
S20	0 to 20 kg/cm <sup>2</sup>	0.25 kg/cm <sup>2</sup>
S25	0 to 25 kg/cm <sup>2</sup>	0.5 kg/cm <sup>2</sup>
S40	0 to 40 kg/cm <sup>2</sup>	1 kg/cm <sup>2</sup>
S60	0 to 60 kg/cm <sup>2</sup>	1 kg/cm <sup>2</sup>
S100	0 to 100 kg/cm <sup>2</sup>	1 kg/cm <sup>2</sup>
S160	0 to 160 kg/cm <sup>2</sup>	2.5 kg/cm <sup>2</sup>
S200	0 to 200 kg/cm <sup>2</sup>	2.5 kg/cm <sup>2</sup>
S250	0 to 250 kg/cm <sup>2</sup>	2.5 kg/cm <sup>2</sup>
S300	0 to 300 kg/cm <sup>2</sup>	2.5 kg/cm <sup>2</sup>
S400	0 to 400 kg/cm <sup>2</sup>	5 kg/cm <sup>2</sup>
S600	0 to 600 kg/cm <sup>2</sup>	10 kg/cm <sup>2</sup>
S650	0 to 650 kg/cm <sup>2</sup>	5 kg/cm <sup>2</sup>
S1000	0 to 1000 kg/cm <sup>2</sup>	20 kg/cm <sup>2</sup>

CODE	RANGE	LEAST COUNT
<i>(Dual scale)</i>		
D1.06	0 to 1.06 kg/cm <sup>2</sup> ( 15 psi )	0.02 kg/cm <sup>2</sup> ( 0.2 psi )
D2.1	0 to 2.1 kg/cm <sup>2</sup> ( 30 psi )	0.05 kg/cm <sup>2</sup> ( 0.5 psi )
D3.5	0 to 3.5 kg/cm <sup>2</sup> ( 50 psi )	0.1 kg/cm <sup>2</sup> ( 1 psi )
D4.2	0 to 4.2 kg/cm <sup>2</sup> ( 60 psi )	0.1 kg/cm <sup>2</sup> ( 1 psi )
D7	0 to 7 kg/cm <sup>2</sup> ( 100 psi )	0.1 kg/cm <sup>2</sup> ( 1 psi )
D10.6	0 to 10.6 kg/cm <sup>2</sup> ( 150 psi )	0.2 kg/cm <sup>2</sup> ( 0.25 psi )
D14	0 to 14 kg/cm <sup>2</sup> ( 200 psi )	0.2 kg/cm <sup>2</sup> ( 2.5 psi )
D21	0 to 21 kg/cm <sup>2</sup> ( 300 psi )	0.5 kg/cm <sup>2</sup> ( 5 psi )
D28	0 to 28 kg/cm <sup>2</sup> ( 400 psi )	0.5 kg/cm <sup>2</sup> ( 5 psi )
D35	0 to 35 kg/cm <sup>2</sup> ( 500 psi )	1 kg/cm <sup>2</sup> ( 10 psi )
D42	0 to 42 kg/cm <sup>2</sup> ( 600 psi )	0.5 kg/cm <sup>2</sup> ( 5 psi )
D70	0 to 70 kg/cm <sup>2</sup> ( 1000 psi )	2 kg/cm <sup>2</sup> ( 20 psi )
D106	0 to 106 kg/cm <sup>2</sup> ( 1500 psi )	2 kg/cm <sup>2</sup> ( 20 psi )
D140	0 to 140 kg/cm <sup>2</sup> ( 2000 psi )	5 kg/cm <sup>2</sup> ( 50 psi )
D210	0 to 210 kg/cm <sup>2</sup> ( 3000 psi )	5 kg/cm <sup>2</sup> ( 50 psi )
D280	0 to 280 kg/cm <sup>2</sup> ( 4000 psi )	5 kg/cm <sup>2</sup> ( 50 psi )
D350	0 to 350 kg/cm <sup>2</sup> ( 5000 psi )	10 kg/cm <sup>2</sup> ( 100 psi )
D420	0 to 420 kg/cm <sup>2</sup> ( 6000 psi )	1 kg/cm <sup>2</sup> ( 10 psi )
D700	0 to 700 kg/cm <sup>2</sup> ( 1000 psi )	1 kg/cm <sup>2</sup> ( 10 psi )

**ACCESSORIES**



Adaptors



Pulsation Dampner



Gauge Cock



Isolation Valve



Syphon