

SERIAL TO ETHERNET CONVERTER WITH PoE

INTRODUCTION

DCC202 is an interface between RS232, RS485 & RS422 bus and an Ethernet port. It converts between MODBUS TCP & MODBUS RTU. The browser based configuration utility allows the host IP address and serial settings to be changed.

The DCC202 module offers true IEEE 802.3af-compliant (classification, Class 1) Power Over Ethernet (PoE) functionality using a standard category 5 Ethernet cable to receive power from a PoE switch such as the FS108Pv3. If there is no PoE switch on site, the module will also accept power input from a DC adapter.

FEATURES

- 10/100 Mbps Ethernet port
- Browser based configuration utility
- Telnet, TCP Modbus protocols
- Serial interface : RS232, RS485, RS422
- Configurable baud rate, parity, data bits, stop bits, IP address
- 12-48 VDC power supply
- Default parameters: Can be restored by pressing reset switch at power ON
- Mounting : DIN Rail / Surface
- Redundant power inputs: PoE (IEEE 802.3af, Class 1) and DC jack

SPECIFICATIONS

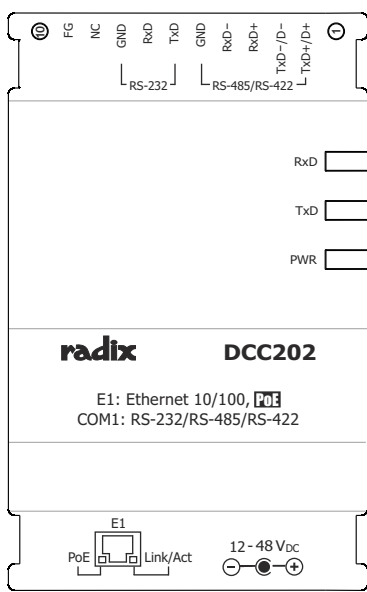
All specifications at ambient of 25 °C, unless specified otherwise



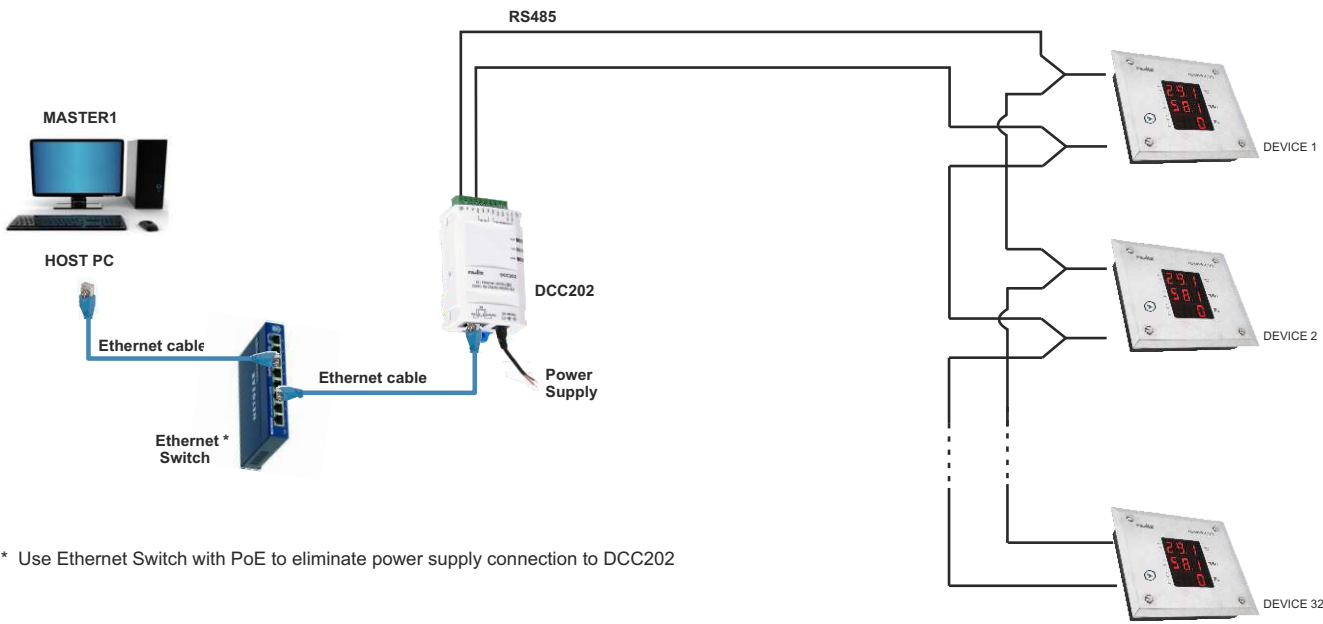
SYSTEM	
CPU	32 bit MCU
COMMUNICATION INTERFACE	
Ethernet	10/100 Base-TX, 8-pin RJ-45X1, (Auto-negotiating, LED indicator) PoE (IEEE 802.3af, Class 1)
Utility software	Browser based configuration utility
Ethernet protocol	Telnet, TCP MODBUS
Serial protocol	MODBUS RTU
COM1	3-wire RS232 2-wire RS485 4-wire RS422
Self-Tuner	Yes (automatic, RS485 direction control)
UART	16c550 or compatible
COM PORT FORMAT	
Baud rate (bps)	300, 600, 1200, 2400, 4800, 9600, 14400, 19200, 38400, 57600, 115200, 230400
Data bit	5, 6, 7, 8
Parity	None, Odd, Even, Mark, Space
Stop bit	1, 2
INDICATORS	
Power	Red LED
TxD	Green LED
RxD	Blue LED
POWER	
Power input (DC Jack)	12~48 VDC
Power consumption	0.05A @24VDC
2 mm male connector plug with 1.5meter cable is included for connection to a 24VDC supply (12~48VDC)	
MECHANICAL	
Material	ABS
Mounting	a) Snap on for 35 mm DINrail to DIN46277 b) Surface
Dimensions (in mm) (See Fig1)	30.1(H) X 48.3(W) X 95(L)
ENVIRONMENTAL CONDITIONS	
Operating temperature	0 to 65°C
Storage temperature	-30 to 80°C
Ambient relative humidity	10 to 90% (non-condensing)
CONNECTIONS	
Single / stranded wires	2.5mm ² , AWG 14
4-wire RS422	TxD+, TxD-, RxD+, RxD-, GND (Non-isolated)
3-wire RS232	TxD, RxD, GND
2-wire RS485	D+, D-
AC POWER ADAPTOR FOR DCC202	To be ordered separately
Model	ACA203
Mains supply voltage	100~240VAC, 50/60hz

SERIAL TO ETHERNET CONVERTER WITH PoE

CONNECTION DETAILS

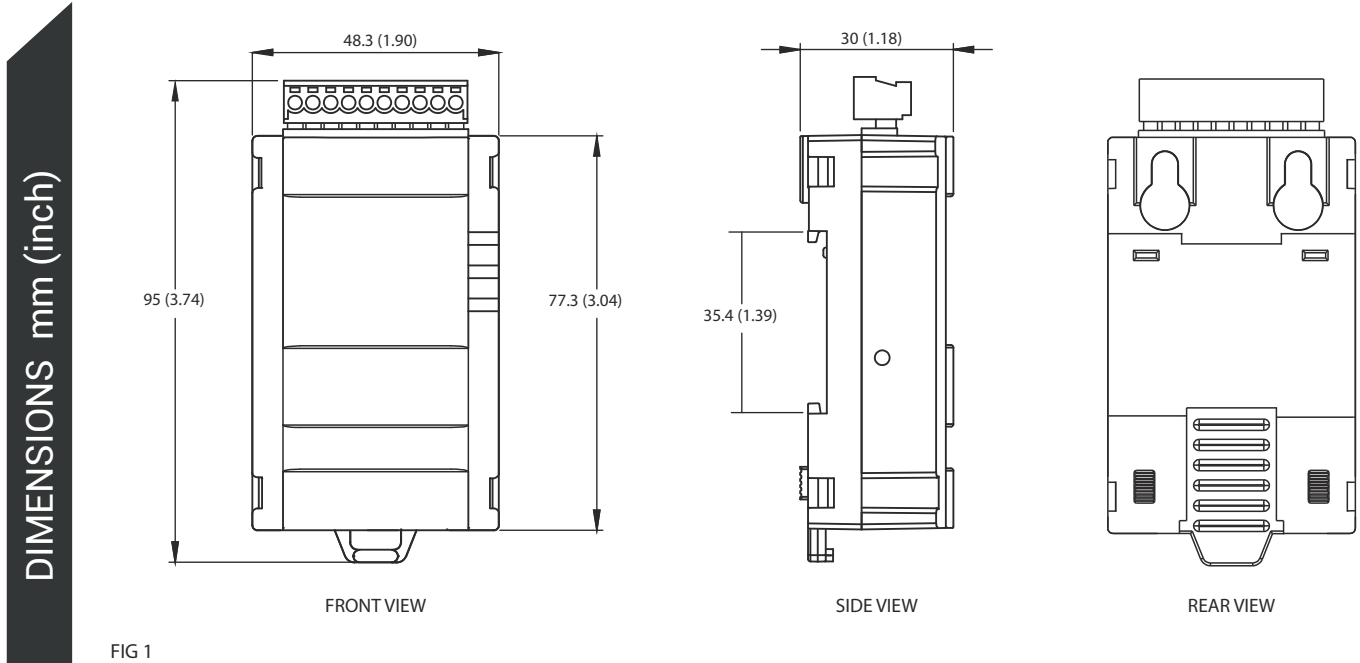


APPLICATION



* Use Ethernet Switch with PoE to eliminate power supply connection to DCC202

SERIAL TO ETHERNET CONVERTER WITH PoE



ORDERING INFORMATION

SERIAL TO ETHERNET CONVERTER WITH PoE

Model : DCC202

Order Code : 2553

In the Box

DCC202	1 pc
Power Cable, 1.5 meter for 24VDC	1 pc

AC POWER ADAPTOR FOR DCC202

Model : ACA203

Order Code : 2571

CAT#509R2/310316/A

ENQUIRIES

Instruments: sales@radix.co.in

Sensors: sensors@radix.co.in

Gauges: gauges@radix.co.in

Automation: automation@radix.co.in

Level: level@radix.co.in

RADIX ELECTROSYSTEMS PVT LTD
EL-135/136/137, Electronics Zone
TTC Indl. Area, MIDC, Mahape
Navi Mumbai - 400 710, India
+ 91 22 42537777 • sales@radix.co.in

radix®
www.radix.co.in