

# LEVEL CONTROLLERS

## FOR FGS & OTHER SWITCHES



**LCU208**  
Din rail Mounting



**LCU201**  
Panel Mounting



**LCU203**  
Surface Mounting



**LCU209**  
Surface & Pipe Mounting, Flameproof

- Suitable for :  
Float Guided Level Switch  
Rotary Paddle Switch  
Displacer Level Switch  
Cable Float Switch
- 1, 2, 3 or 4 setpoints
- User settable relay latching (Through DIP switch)
- Relay status indication through LEDs
- 85~265 V AC SMPS
- User friendly operation

# LEVEL CONTROLLERS

## FOR FGS & OTHER SWITCHES

SPECIFICATIONS

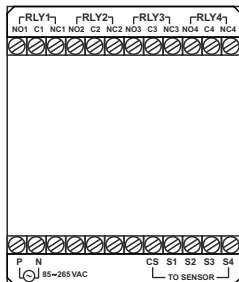
All specifications at ambient of 25 °C unless specified otherwise

<b>INPUTS</b>	From Float Guided Level Switch (FGS) Also suitable for Rotating Paddle Switch (RPS), Displacer Level Switch (DLS), Cable Float Switch (CFS) etc.
<b>OUTPUT</b>	No. of relays: 1, 2, 3 or 4 Relay type: SPDT (NO-C-NC) Relay contact rating: 5A/250 V AC
<b>INDICATION</b>	Status indication: 4 LEDs for relay status 1 LED for POWER ON
<b>POWER SUPPLY</b>	Supply voltage: a) 85~265 V AC, 50/60 Hz b) 20~30 V DC* (* This option is available on request. Minimum order quantity and/or minimum order value may apply)
<b>ISOLATION</b>	Mutual isolation between input, supply, relay contacts: 2000 VAC rms, 50Hz / 1 minute
<b>TEMPERATURE, HUMIDITY</b>	Ambient operating temperature: 0 to 60 °C Relative operating humidity: Below 90% RH, non-condensing

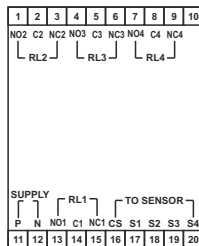
Model	LCU201	LCU208	LCU203	LCU209
Mounting	Panel	Din rail	Surface	Surface
Terminals	Suitable for 1.5 mm <sup>2</sup> conductor size			
Housing material	ABS Plastic		Cast AL (Powder coated)	
Dimensions (in mm)	See Fig.1	See Fig.2	See Fig.3	See Fig.4
Protection	IP41	IP20	IP65	IP66
Certification	-	-	-	Flameproof, Gr IIA, IIB & IIC
Cable gland	NA		PG9 (PVC)	½" NPT double compression (brass) #

# Cable gland is not part of standard accessories

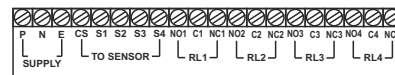
### ELECTRICAL CONNECTIONS



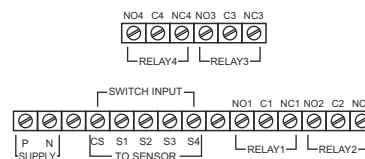
LCU201



LCU208



LCU203

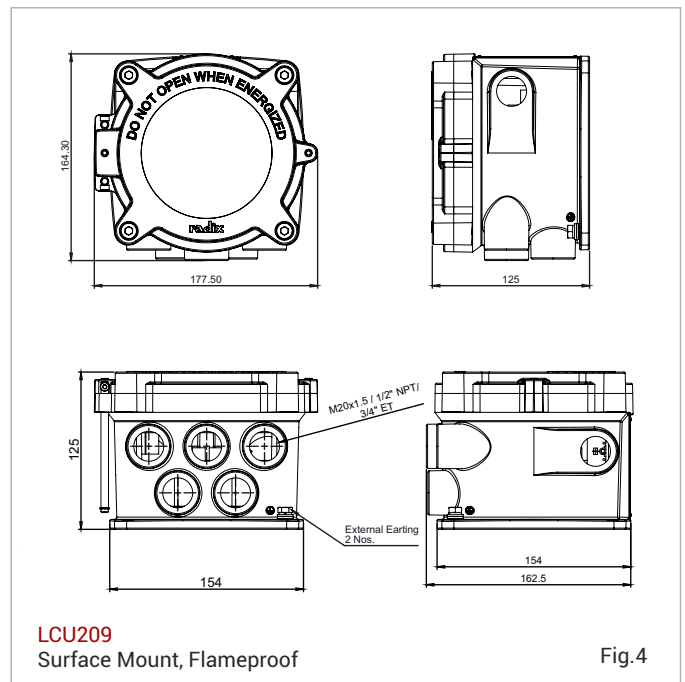
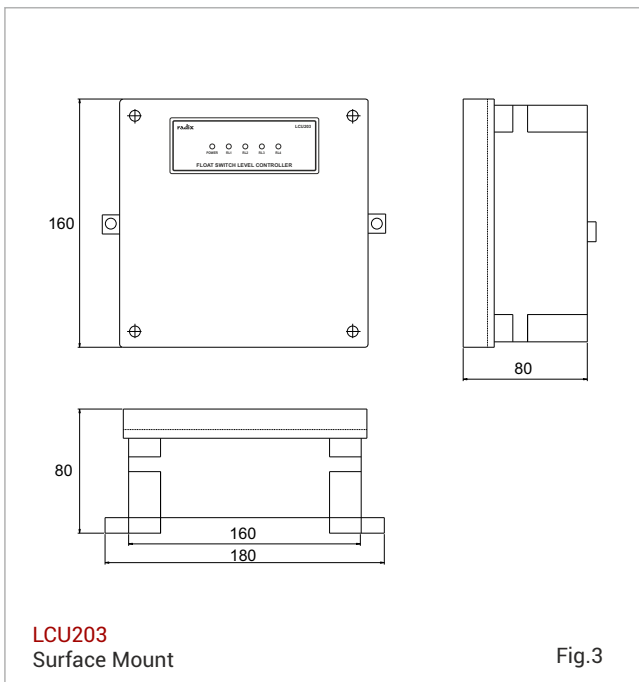
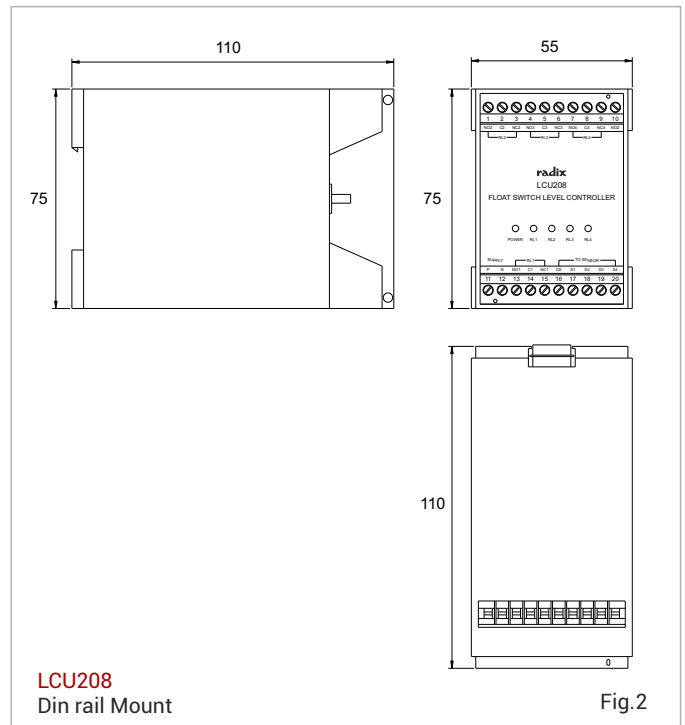
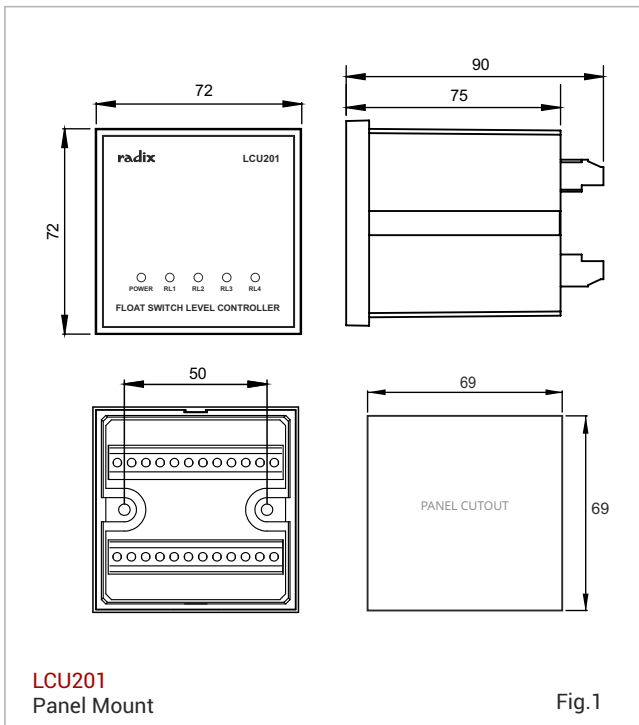


LCU209

# LEVEL CONTROLLERS

## FOR FGS & OTHER SWITCHES

DIMENSIONS mm




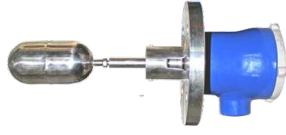




# LEVEL CONTROLLERS

## FOR FGS & OTHER SWITCHES

### ORDERING INFORMATION

Model	Setpoints	Rotary switch	Product code
LCU201	2	None	2509 0012
	4	None	2509 0014
LCU208	2	None	2576 0002
	4	None	2576 0004
LCU203	2	None	2581 0002
	4	None	2581 0004
LCU209	2	None	2592 0006
	4	None	2592 0007
	2	1	2592 0008
	4	1	2592 0009
	2	2	2592 0010
	4	2	2592 0011

### FGS & OTHER SWITCHES

		
Float Guided Level Switch	Side Mounted Level Switch	Displacer Level Switch
		
Rotary Paddle Level Switch	Cable Float Switch	Magnetic Level Gauge

CAT#581R1/A

#### ENQUIRIES

**Instruments:** sales@radix.co.in  
**Sensors:** sensors@radix.co.in  
**Gauges:** gauges@radix.co.in  
**Automation:** automation@radix.co.in  
**Level:** level@radix.co.in

**RADIX ELECTROSYSTEMS PVT LTD**  
 EL-135/136/137, Electronics Zone  
 TTC Indl. Area, MIDC, Mahape  
 Navi Mumbai - 400 710, India  
 Cell : 0-8451040263 | sales@radix.co.in

**radix**®  
 www.radix.co.in