

THE CLEAN ROOM MONITOR

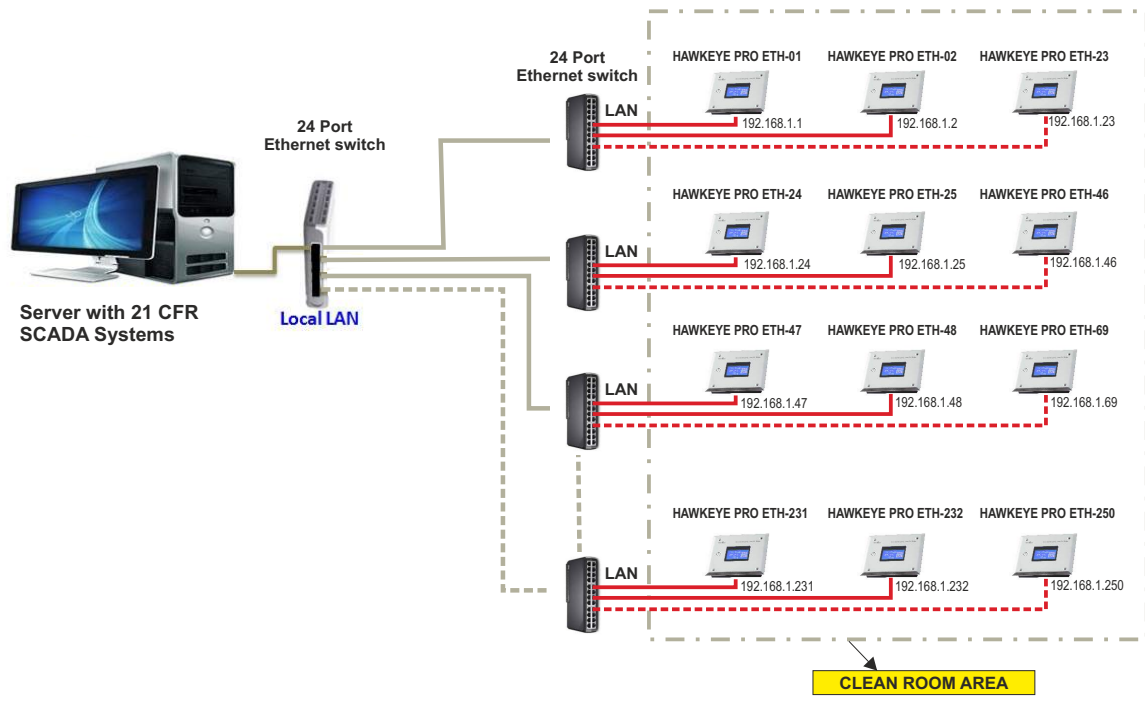
RH+T+DP INDICATOR, WITH ETHERNET PORT (MODBUS/TCP)

FEATURES

- Microcontroller based
- RH, Temperature & DP measurement
- 128x64 monochrome LCD with backlight
- Software programmable channel ranges, units & input types
- User programmable for 1, 2 or 3 channel measurement
- 6 programmable Alarms with visual annunciation
- Real Time Clock with battery back-up
- Software calibration for channels
- MODBUS / TCP & Telnet multidrop communication for PLC, SCADA, etc.
- 24 VDC or 85~265 VAC SMPS supply
- Powerful, user-friendly SCADA available
- FDA 21CFR Part11 compliant SCADA version also
- Advanced digital RH+T sensor technology



BMS - CLEAN ROOM MONITORING SYSTEM



THE CLEAN ROOM MONITOR

RH+T+DP INDICATOR, WITH ETHERNET PORT (MODBUS/TCP)

SPECIFICATIONS

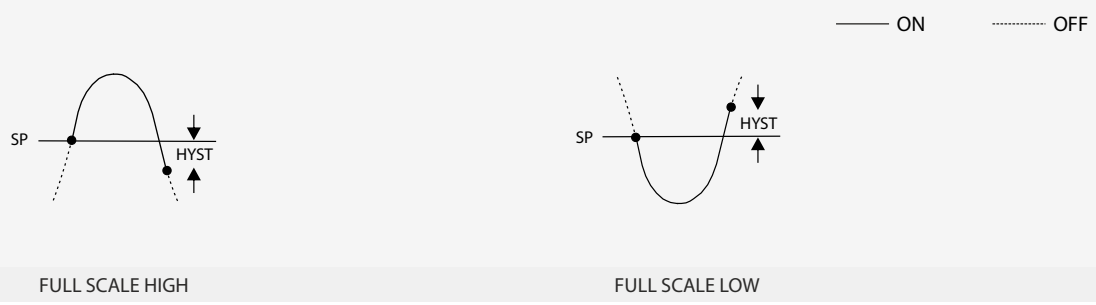
All specifications at ambient of 25 °C, unless specified otherwise

INPUTS		
No. of inputs	3 (RH, T, DP)	
Input RH	a) 0-1 V DC b) 0-10 V DC c) 0-20 mA d) 4~20 mA e) Integral, radix RH+T sensor	
Input T	a) 0-1 V DC b) 0-10 V DC c) 0-20 mA d) 4~20 mA e) Integral, radix RH+T sensor	
Input DP	a) 0-1 V DC b) 0-10 V DC c) 0-20 mA d) 4~20 mA e) Integral, radix DP sensor	
Input AHU	Potential free digital input	
Transmitter supply (V _{TX})	20 V nominal, 100 mA max	
Range	%RH 0~100% RH Temperature -40.0 ~ 90.0 °C (user selectable) DP -199 ~ 900Pa, -19.9 ~ 90.0mmWC (user selectable)	
Accuracy		
For Integral Sensors		
%RH	± 2% RH	
Temperature	± 0.3 °C	
DP	± 1.5% of reading ± 5 Pa, ± 1.5% of reading ± 0.5 mmWC	
For Remote Input		
%RH	± 1% RH	
Temperature	± 0.25% of span (min ±0.2 °C)	
DP	± 0.25% of span (min ±0.3 mmWC)	
INDICATION		
Display type	128x64 monochrome LCD with backlight	
OUTPUTS		
Buzzer output	1	
No. of visual alarms	6	
CLOCK		
Real time clock	Provided	
Battery backup	Provided	
ENCLOSURE		
Construction	a) Integral RH+T+DP in front sensing b) Integral RH+T+DP sensing at rear c) RH+T+DP from remote 2-wire transmitters/Sensors d) Integral RH+T transmitter, DP sensing : Any	
MOC		
Faceplate	SS304	
Body	MS, powder coated	
Dimensions (in mm)	a) 200(W)x180(H)x30(D) mm b) 200(W)x180(H)x65(D) mm	
Mounting		
Modular panel	a) 50 mm or more b) 100 mm or more	
Brick wall	Using accessories grouting box and SS304 interface plate (both to be ordered separately)	
Cutout (in mm)	177(W) x 165(H)	
COMMUNICATION		
System		
CPU		32 bit MCU
Communication interface		
Ethernet		10/100 Base-TX, 8-pin RJ-45X1, (Auto-negotiating, LED indicator) Telnet, TCP MODBUS
Ethernet Protocol		
Com port format		
Databit		8
Parity		None
Stop bit		1
Baud rate		9600 bps
Slave ID		User programmable, 1~247
Data type		Integer x 10
Parameters		
Process Variables		Read only
Setpoints		Read & write from the host computer
Alarm Status		Read only
Hysteresis		Read & write from the host computer
Alarm Activation Delay		Read & write from the host computer
Power On Activation Delay		Read & write from the host computer
Input Bias		Read & write from the host computer
Input Skip		Read & write from the host computer
RTC Synchronization		Read & write from the host computer
PROGRAMMABLE PARAMETERS		
Setpoint		
% RH		0 ~ 100
Temperature		-40.0 ~ 90.0 °C
DP		-19.9 ~ 19.9 mmWC -199 ~ 199 Pa
Resolution		0.1 for RH & T 1 for DP unit mmWC 1 for DP unit Pa
Digital filter		A (minimum) ~ F (maximum)
Hysteresis		User selectable
Alarm logic (Fig 1)		a. Full scale high b. Full scale low
Alarm type		Self reset
Alarm activation delay		User selectable, 0~900 sec
Setpoint lock		ON, OFF
OTHER		
Programming		Through 3 tactile keys
Supply voltage		20~30 V DC, 85~265 V AC/DC
Power consumption		4 watts maximum
Operating ambient temperature		0~50 °C
Relative humidity		Below 90%, non condensing

THE CLEAN ROOM MONITOR

RH+T+DP INDICATOR, WITH ETHERNET PORT (MODBUS/TCP)

ALARM LOGIC



ORDERING INFORMATION

2482 -

A B C D E F G H I J

Product code	A	RH+T Sensing Position	B	DP Sensing Position	C	RH Input	D	Temperature Input	E	DP Input	F	DP Unit	G	Alarms	H	Alarm Acknowledge Key	I	AHU Input	J	Supply voltage	
2482	1	None	1	None	1	None	1	None	1	None	1	None	1	Not provided	1	Not provided	1	Not provided	1	85-265 VAC	
	2	Integral Sensor front	2	Integral Sensor front	2	Integral RH+T sensor	2	Integral RH+T sensor	2	Integral RH+T sensor	2	mmWC	2	Provided	2	Provided	2	Provided	2	20-30 VDC	
	3	Integral Sensor rear	3	Integral Sensor rear	3	4-20 mA	3	4-20 mA	3	4-20 mA	3	Pa									
	4	Remote Transmitter	4	Remote Transmitter	4	0-10 VDC	4	0-10 VDC	4	0-10 VDC											

CAT#482R2/310316/A

ENQUIRIES
Instruments: sales@radix.co.in
Sensors: sensors@radix.co.in
Gauges: gauges@radix.co.in
Automation: automation@radix.co.in
Level: level@radix.co.in

RADIX ELECTROSYSTEMS PVT LTD
 B-14, 2nd Floor, Ghanshyam Indl Estate
 Veera Desai Road, Andheri (West)
 Mumbai - 400 053, India
 + 91 22 42537707 | sales@radix.co.in

radix®
 www.radix.co.in