

COMPACT RTD SENSORS WITH TRANSMITTER

- Integrated 4-20 mA transmitter
- Ranges from 0...200°C with cooling neck
- Supply : 8...35 VDC
- Accuracy : $\pm 0.1\%$ of measurement range *
- Accuracy of RTD (Pt100) : Class A accuracy as standard, Class AA optional
- AISI 316L (1.4404) body and wetted parts
- Surface finish : $R_a \leq 0.51\mu\text{m}$ & $\leq 0.8\mu\text{m}$ for wetted & non-wetted surfaces respectively.
- M12 connector with IP69K for electrical connections
- Standard diameter 4mm.
- Variable insertion lengths from 30mm onwards
- Extremely Short response times
- Mating Sanitary fittings optional
- Temperature range (ambient) : -40...+80°C
- Connecting cable : Optional, 5 meter long

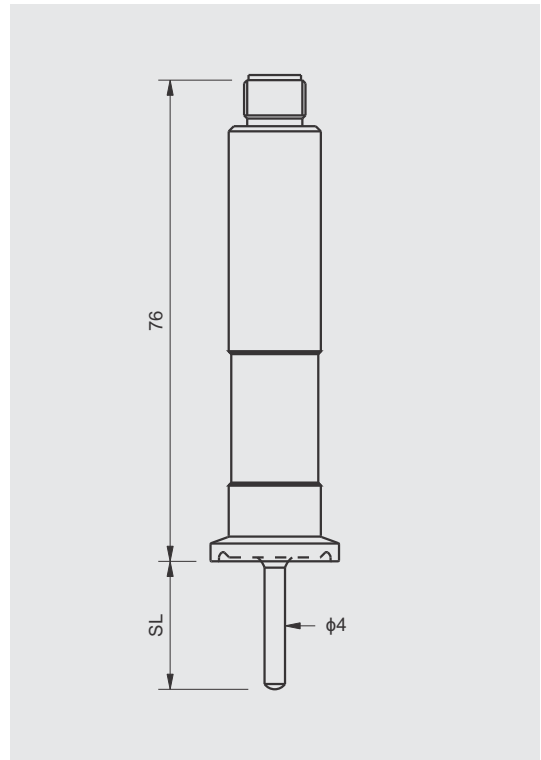
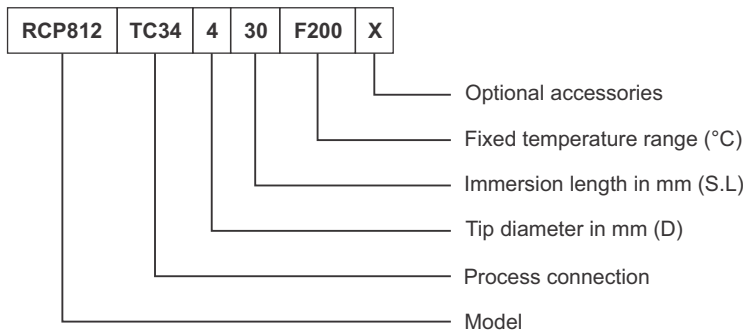
APPLICATIONS

- Food & Beverage
- Water & Waste water
- Laboratory & Medical

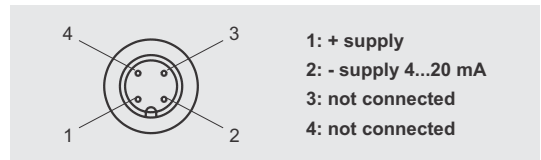
ACCURACY OF Pt100 AS PER IEC 60751

Pt100	A (½B)	AA (⅓B)
0°C (100Ω)	$\pm 0.15^\circ\text{C} / \pm 0.06\Omega$	$\pm 0.1^\circ\text{C} / \pm 0.04\Omega$
100°C (138.5Ω)	$\pm 0.35^\circ\text{C} / \pm 0.13\Omega$	$\pm 0.27^\circ\text{C} / \pm 0.1\Omega$

HOW TO ORDER



ELECTRICAL CONNECTION



RESPONSE TIME

Tip Dia.	Imm. Length	T _{0.5}	T _{0.9}
4 mm	30 mm	2 s	4 s

T_{0.5} and T_{0.9} shows the response times at 50% and 90% of the step change. This data is measured by immersing the sensing bulb from ambient temperature to boiling water flowing at 0.4 m/sec. The result may vary according to the measuring environment and condition.

TABLE NO. 1

Size	Std φ	Min. Length
TC 34	4	30
TC 25	4	30

NB : The transmitter must be protected from temperatures above 85°C
 * The deviation of RTD sensor must be added to get the measuring accuracy of the transmitter