

APPLICATIONS

- Process monitoring
- Temperature measurement in fermenter connection
- Monitoring of CIP-/SIP process

PROCESS CONNECTION

- Standard lengths 46mm / 52mm
- CIP-/SIP cleaning up to 150°C
- All stainless steel construction

FEATURES

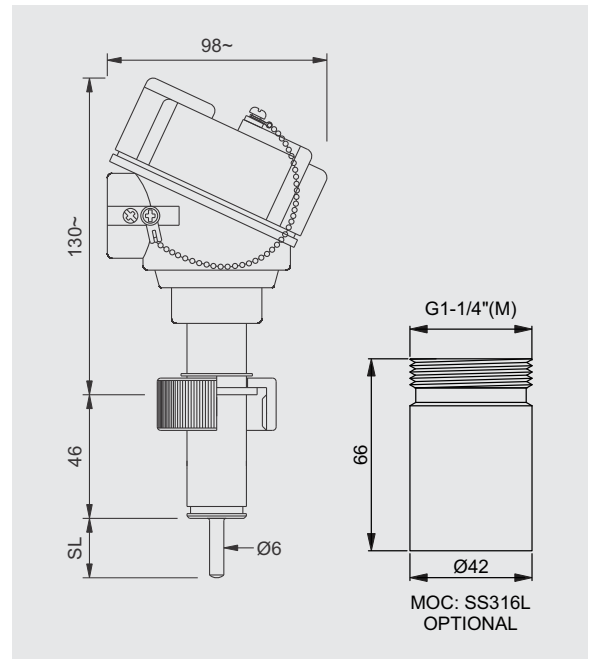
- Pt100 3 wire single / dual circuit
- Class A or higher accuracy
- 6mm sheath dia (straight)
- Wetted parts made of SS316L (1.4404)
- ATEX certified terminal head, epoxy painted
- SS304 coupling nut
- EPDM sealing ring
- Roughness value (Ra) ≤ 0.8 µm (standard)
- Operating pressure 10 bar
- Temperature range - ambient -50... +85°C
- Temperature range - sensors tip -50...+150°C
- Protection class, IP67

OPTIONS

- Pt100, 4-wire
- Custom port sheath lengths
- 2 x Pt100 (not - retrofittable)
- Available with Weatherproof terminal head (Model RHF300)
- Sensors tip with 4 mm (Straight)
- Sensor tips with 6 mm reduced to 4 mm & 8 mm reduced to 5 mm
- Surfaces with Ra ≤ 0.38 µm for wetted parts
- Hastalloy C-276 material
- Head mounted transmitter
- Electropolished SS316 terminal head
- Cable gland, nickel plated brass
- Flameproof head certified for gas groups IIB & IIC, Zone 1 & Zone 2, certified by CSIR
- CE certification

HOW TO ORDER

RXF300	S	AL	A3	A	G32	6	25	46	X	X	X
											Optional accessories
											No. of calibration points
											Termination
											Length of wetted port
											Insertion length
											Sheath dia
											Coupling nut G1 ¼"
											Class A accuracy
											Pt100, 3 wire
											Terminal head
											No. of circuit
											Model



ACCURACY OF Pt100 AS PER IEC 60751

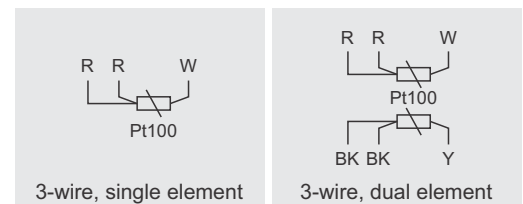
Pt100	A (½B)	AA (⅓B)
0°C (100Ω)	±0.15°C/±0.06Ω	±0.1°C/±0.04Ω
100°C (138.5Ω)	±0.35°C/±0.13Ω	±0.27°C/±0.1Ω

RESPONSE TIME

Tip Dia.	Imm. Length	T _{0.5}	T _{0.9}
6 mm	25 mm	4 s	9 s

T_{0.5} and T_{0.9} shows the response times at 50% and 90% of the step change. This data is measured by immersing the sensing bulb from ambient temperature to boiling water flowing at 0.4 m/sec. The result may vary according to the measuring environment and condition.

CIRCUIT DIAGRAM



TERMINAL HEAD

CODE	TYPE
AL	ATEX, Aluminum
AC	ATEX, SS316
F1	Flameproof, Single cable entry
F2	Flameproof, Dual cable entry
FA	Flameproof, SS304
FC	Flameproof, SS316

TERMINATION

CODE	TYPE
FL	Flying leads
TB	Terminal block