

APPLICATIONS

Temperature measurement in food, dairy, pharmaceutical & chemical processes where contamination / cleanliness is of great concern

FEATURES

- Pt-100, 3-wire Single / Dual circuit, Class A accuracy
- 6mm sheath dia (straight)
- Wetted parts made of SS316L (1.4404)
- Die cast aluminum terminal head (IP68)
- Roughness value (Ra) $\leq 0.8 \mu\text{m}$ and $\leq 0.51 \mu\text{m}$ for non wetted and wetted parts respectively
- Operating pressure 10 bar
- Temperature range - ambient, -50... +85°C
- Temperature range - sensors tip, -50...+250°C
- 50mm lag extension

OPTIONS

- Pt-100, 4-wire
- Custom sheath diameters
- 2 x Pt-100
- Class AA ($\frac{1}{3}$ B) accuracy
- Reduced tip for fast response
- Surfaces with Ra $\leq 0.38 \mu\text{m}$ for wetted parts
- Head mounted transmitters
- Electropolished SS316 terminal head
- Polyamide cable gland
- Fixing clamps, SS304
- EPDM gaskets, FDA approved
- Silicon rubber gaskets, Phthalate free & FDA approved
- Retrofittable elements
- CE certification

ACCURACY OF Pt100 AS PER IEC 60751

Pt100	A ($\frac{1}{2}$ B)	AA ($\frac{1}{3}$ B)
0°C (100Ω)	$\pm 0.15^\circ\text{C}/\pm 0.06\Omega$	$\pm 0.1^\circ\text{C}/\pm 0.04\Omega$
100°C (138.5Ω)	$\pm 0.35^\circ\text{C}/\pm 0.13\Omega$	$\pm 0.27^\circ\text{C}/\pm 0.1\Omega$

RESPONSE TIME

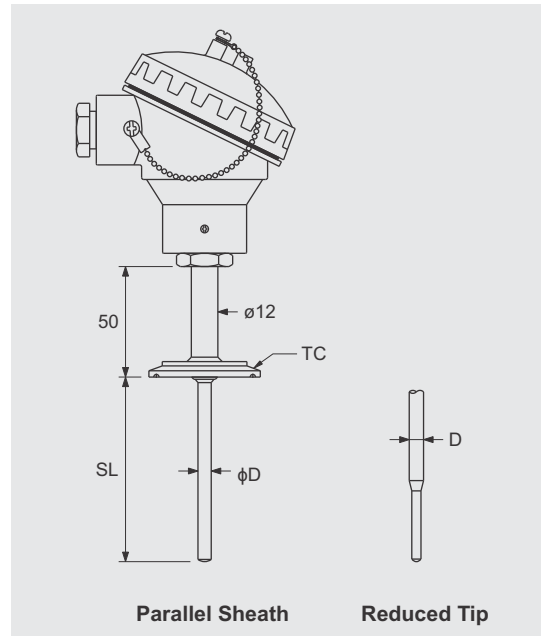
Tip Dia.	Imm. Length	T _{0.5}	T _{0.9}
6 mm	50 mm	4 s	9 s

T_{0.5} and T_{0.9} shows the response times at 50% and 90% of the step change. This data is measured by immersing the sensing bulb from ambient temperature to boiling water flowing at 0.4 m/sec. The result may vary according to the measuring environment and condition.

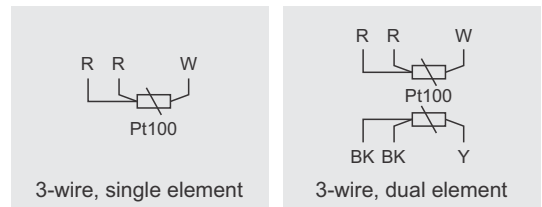
HOW TO ORDER

RHS602	S	W3	A3	A	25	50	6	50	X	X	X
--------	---	----	----	---	----	----	---	----	---	---	---

Optional accessories
 No. of calibration points
 Termination (ref. table 3)
 Insertion Length
 Sheath Dia
 Lag Extension
 1" Tri-clover (ref. table 2)
 Class A accuracy
 Pt-100, 3-wire
 Terminal head (ref. table 1)
 No. of circuit
 Model



CIRCUIT DIAGRAM



TERMINAL HEAD (TABLE 1)

CODE	TYPE
W3	Standard weatherproof head (IP68) with thread cap & chain
W9	Weatherproof head with hinged cap
W5	Miniature head with threaded cap
W4	Sub miniature head
PP	Polypropylene head with threaded cap & chain

PROCESS CONNECTION (TABLE 2)

CODE	TRI-CLOVER SIZE
12	1/2" (25.0 mm)
19	3/4" (25.0 mm)
25	1" (50.4 mm)
50	2" (50.4 mm)
63	2.5" (64.0 mm)

TERMINATION (TABLE 3)

CODE	TYPE
FL	Flying leads
TB	Terminal block

REDUCED TIP (TABLE 4)

CODE	TYPE
6R	6mm reduced to 3mm
8R	8mm reduced to 5mm
10R	10mm reduced to 5mm