

MULTI HOST ETHERNET TO SERIAL CONVERTER



- 10/100 Mbps Ethernet port
- Browser based configuration utility
- TCP MODBUS protocols
- Serial Interface : RS232, RS485, RS422
- TCP Server/Client
- Configurable serial & MODBUS TCP parameters
- 12-48 VDC power supply (DC Jack / 2 terminal)
- Default parameters can be achieved by power ON reset key
- Mounting : DIN Rail / Surface
- Redundant power inputs: PoE (IEEE 802.3af, Class 1) and DC jack

**12 SIMULTANEOUS
MODBUS TCP MASTERS
&
32 SIMULTANEOUS
REQUESTS FOR EACH
TCP MASTER**

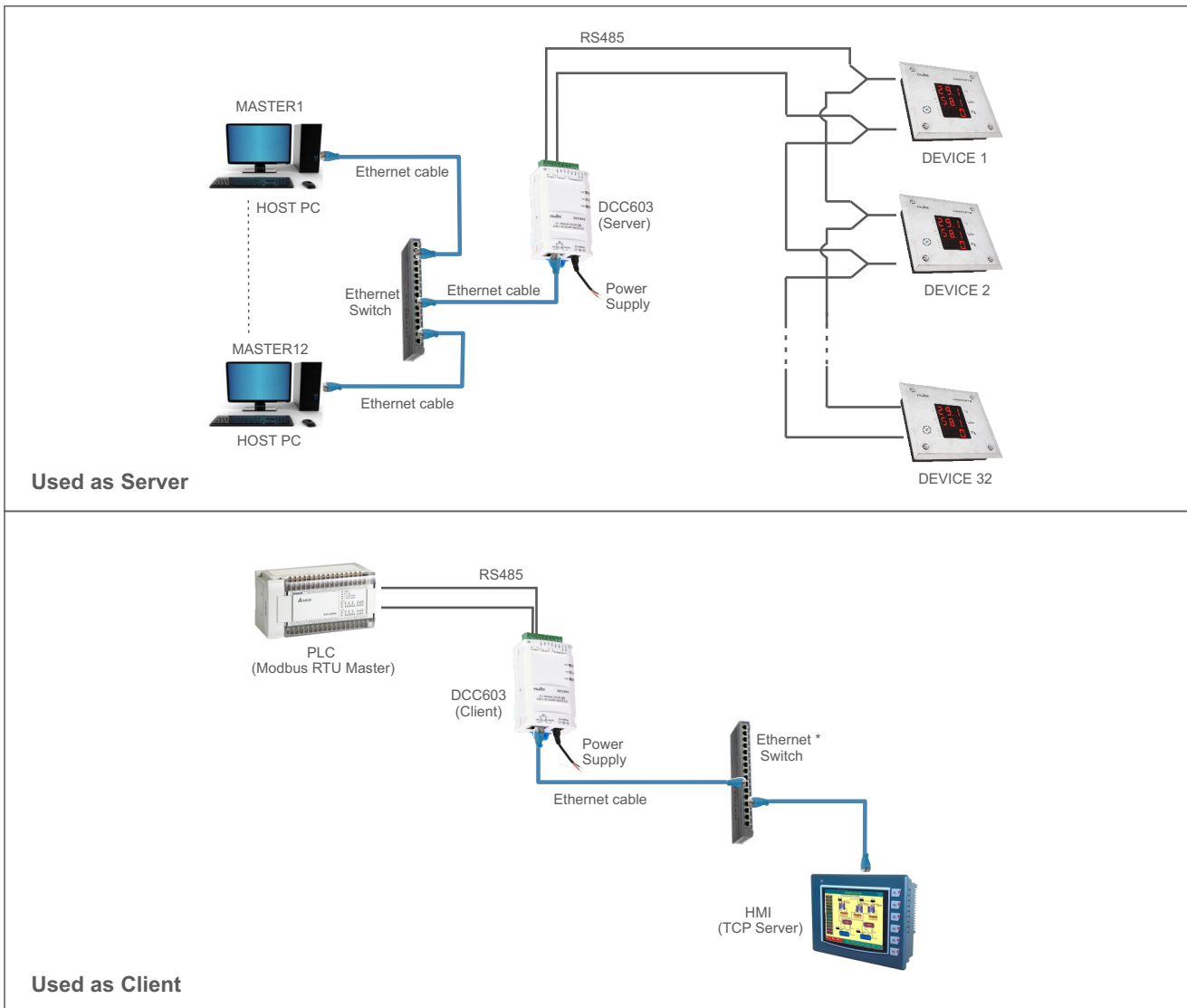
MULTI HOST ETHERNET TO SERIAL CONVERTER

ABOUT DCC603

DCC603 is an interface between RS232, RS485 or RS422 bus and an Ethernet port. It converts between MODBUS TCP & MODBUS RTU. It has multiple master access on a single Ethernet port. This allows upto 12 masters to access the same devices on the serial bus. It can be configured as TCP Server or TCP Client. The browser based configuration utility allows the host IP address and serial settings to be changed.

The DCC603 module offers true IEEE 802.3af-compliant (classification, Class 1) Power over Ethernet (PoE) functionality using a standard category 6 Ethernet cable to receive power from a PoE switch such as the FS108Pv3. If there is no PoE switch on site, the module will also accept power input from a DC adapter / 2 terminal connection.

APPLICATIONS



* Use Ethernet Switch with PoE to eliminate power supply connection to DCC603

MULTI HOST ETHERNET TO SERIAL CONVERTER

SPECIFICATIONS

All specifications at ambient of 25 °C unless specified otherwise

| SYSTEM | |
|--------------------------|--|
| CPU | 32 bit MCU |
| COMMUNICATION INTERFACE | |
| Ethernet | 10/100 Base-TX, 8-pin RJ-45X1, (Auto-negotiating, LED indicator) |
| | PoE (IEEE 802.3af, Class 1) |
| Utility software | Browser based configuration utility |
| Ethernet protocol | TCP MODBUS |
| Serial protocol | MODBUS RTU |
| COM1 | 3-wire RS232, 2-wire RS485, 4-wire RS422 |
| Self-Tuner | Yes (automatic, RS485 direction control) |
| COM PORT FORMAT | |
| Baud rate (bps) | 1200, 2400, 4800, 5787, 9600, 14400, 19200, 38400, 57600, 115200 |
| Parity | None, Odd, Even |
| Stop bit | 1, 2 |
| INDICATORS | |
| Power | Red LED (Blinking) |
| TxD | Green LED |
| RxD | Blue LED |
| POWER | |
| Power supply | 12~48 VDC (DC Jack & 2 terminals) |
| Power consumption | 0.05A @24VDC |
| PoE | Provided (option) |
| MECHANICAL | |
| Material | ABS |
| Mounting | a) Snap on for 35 mm DINrail to DIN46277 b) Surface |
| Dimensions | 48.3(L) X 95(H) X 30.1(D) mm See Fig 1 |
| ENVIRONMENTAL CONDITIONS | |
| Operating temperature | 0 to 65°C |
| Storage temperature | -30 to 80°C |
| Relative humidity | 10 to 90% (non-condensing) |
| CONNECTIONS | |
| Single / stranded wires | 2.5mm ² , AWG 14 |
| 4-wire RS422 | TxD+, TxD-, RxD+, RxD-, GND (Non-isolated) |
| 3-wire RS232 | TxD, RxD, GND |
| 2-wire RS485 | D+, D- |

MULTI HOST ETHERNET TO SERIAL CONVERTER

DIMENSIONS mm

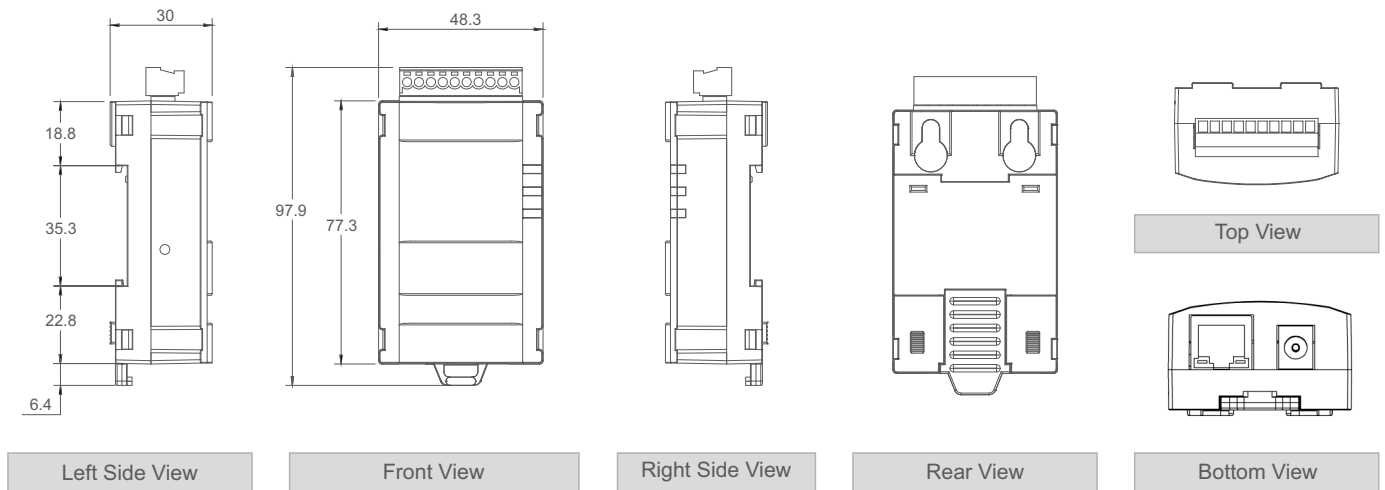
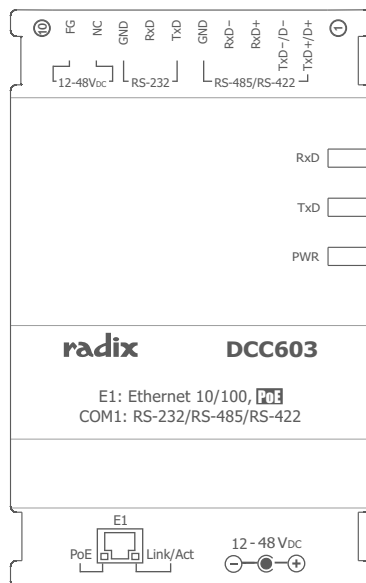


Fig 1

CONNECTION DETAILS



MULTI HOST ETHERNET TO SERIAL CONVERTER

ORDERING INFORMATION

DCC603 Multihost Ethernet To Serial Converter

| | | |
|------------|------|-----------------|
| Order code | 2851 | DCC603 with PoE |
|------------|------|-----------------|

| | | |
|------------|------|--------------------|
| Order code | 2977 | DCC603 without PoE |
|------------|------|--------------------|

Accessories (chargeable)

| Details | Model | Order Code |
|------------------|--------|------------|
| AC Power Adaptor | ACA203 | 2571 |

ENQUIRIES

Instruments: sales@radix.co.in
 Sensors: sensors@radix.co.in
 Gauges: gauges@radix.co.in
 Automation: automation@radix.co.in
 Level: level@radix.co.in
 Flow: flow@radix.co.in

RADIX ELECTROSYSTEMS PVT LTD
 EL-135/136/137, Electronics Zone, TTC Indl. Area, MIDC, Mahape
 Navi Mumbai - 400 710, India
 + 91 22 42537707 · sales@radix.co.in