

### MODEL : G (Rigid Stem) / G-AC (Extension Capillary)

Gas filled thermometer made of thermal system filled with Inert gas having accuracy and low ambient error.

Inert gas filling makes it suitable for use in food and pharmaceutical industry.

Available with thermowells having different diameters, lengths and process connections.

### FEATURES

- Fast response
- Suitable for sanitary application
- All SS construction
- Rigid stem or Capillary type
- Non - polluting, environment friendly
- Non - hazardous
- Accuracy as per EN 13190
- Case compensation to SAMA class VB
- Use of inert gas - N<sub>2</sub>



### SPECIFICATIONS

- Ref. Standard : ASME B40.200, EN13190
- System : Gas (N<sub>2</sub>) Filled, case compensated in accordance with SAMA CI, III B
- Dial : 100 & 150 mm
- Case : SS304, Bayonet type, Weatherproof to IP68
- Window : Toughened glass
- Pointer : Zero adjustment pointer
- Stem : SS316 in 8 mm, 10 mm as standard
- Capillary : SS covered / SS covered + PVC / SS covered + SS Armoured / SS covered / SS Armoured + PVC (up to 15 mtr)
- Connection : 1/2" NPT (M), adjustable three piece compression fitting in SS304 or SS316
- Range : -40°C to 600°C with minimum span of 80°C
- Accuracy : Class 1 as per EN 13190
- Over range : 125% FSD

### OPTIONAL

- Glycerine oil filled case
- Silicon oil filled case
- 250 mm dial size in direct bottom mounts.

- Note :**
- 1) For minimum insertion length essential for proper sensing contact our design department
  - 2) Three point calibration certification accompanies each thermometer
  - 3) For operating temp. 600°C, stem of SS310 / Inconel 600 shall be recommended.
  - 4) SS316 case & bezel.

Immersion varies as per model - Hence not mentioned in chart \*

### GAS FILLED EN13190:2001

| NOMINAL RANGES (°C) | ERROR   | LEAST COUNT | MIN IMMERSION LENGTH (mm) |     |      |
|---------------------|---------|-------------|---------------------------|-----|------|
|                     | -/+ °C  |             | (SHEATH DIAMETER)         |     |      |
|                     | CLASS 1 |             | 6mm                       | 8mm | 10mm |
| 0 to 120            | 2       | 2           | 65                        | 60  | 55   |
| 0 to 160            | 2       | 2           | 55                        | 50  | 45   |
| 0 to 200            | 2       | 2           | 50                        | 45  | 40   |
| 0 to 250            | 2.5     | 5           | 70                        | 60  | 50   |
| 0 to 300            | 5       | 5           | 80                        | 60  | 50   |
| 0 to 400            | 5       | 5           | 100                       | 80  | 60   |
| 0 to 500            | 5       | 5           | 120                       | 100 | 80   |
| 0 to 600            | 10      | 10          | 120                       | 100 | 80   |

## A. DIRECT MOUNTING

DIRECT BOTTOM

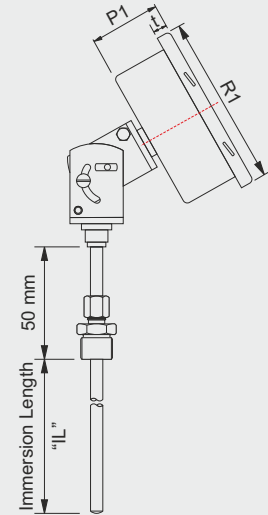
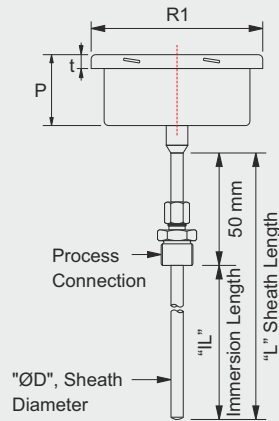
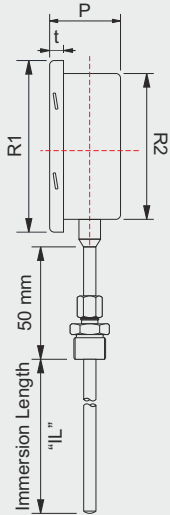
20

BACK DIRECT ENTRY, CENTRIC

80

ALL ANGLE

11



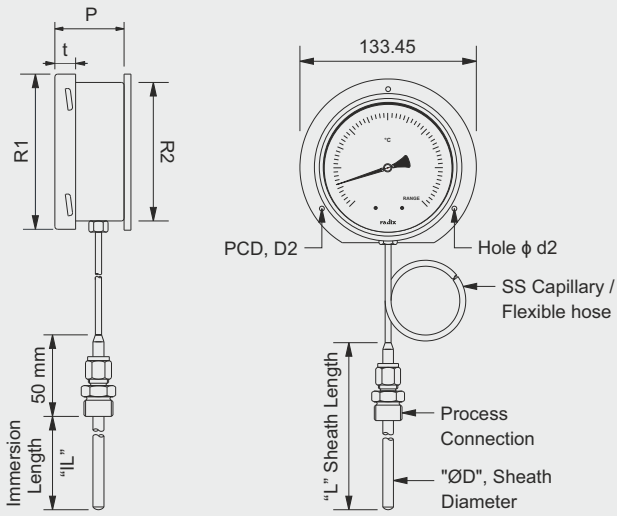
| DIAL SIZE | R1  | R2  | t  | P  |
|-----------|-----|-----|----|----|
| 100       | 110 | 100 | 15 | 50 |
| 150       | 165 | 150 | 15 | 50 |

\*All dimensions are in mm

## B. REMOTE MOUNTING WITH CAPILLARY

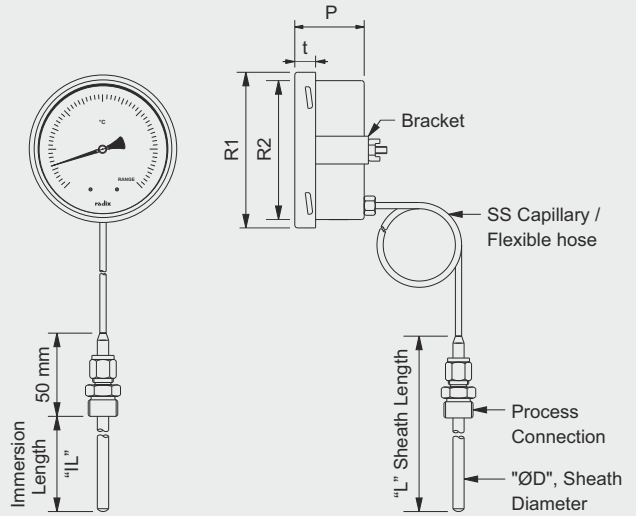
### Surface Mount

60



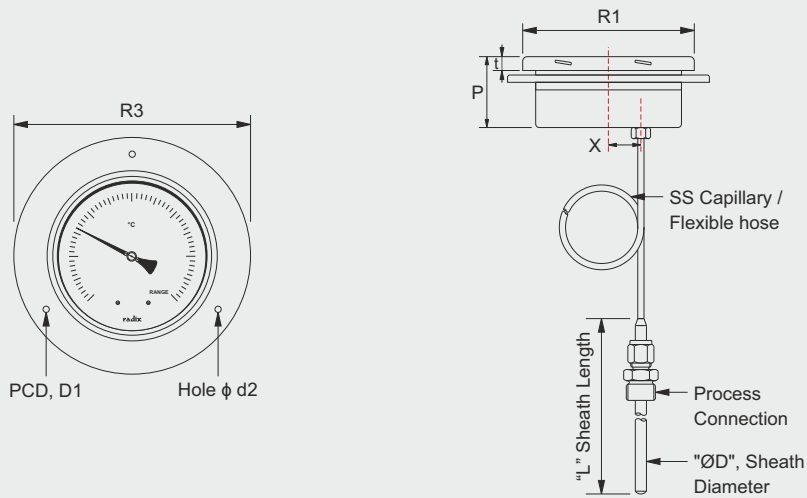
### Flush Panel With Bracket

40



### Back Mount With Panel

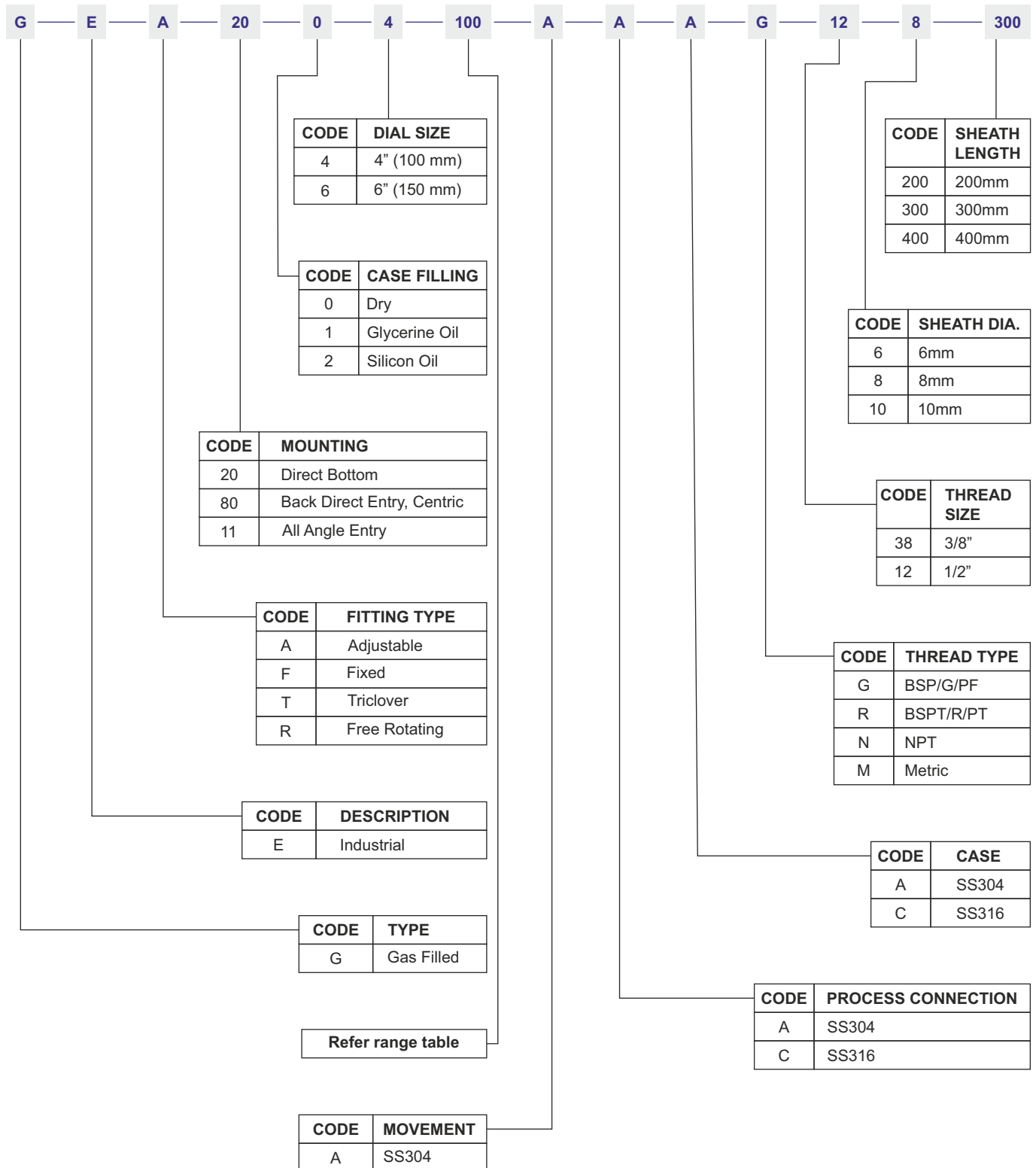
50



| DIAL SIZE | R1  | R2  | t  | P  | X  | R4  | D2  | d2  |
|-----------|-----|-----|----|----|----|-----|-----|-----|
| 100       | 110 | 100 | 15 | 50 | 30 | 128 | 116 | 5.4 |
| 150       | 165 | 150 | 15 | 50 | 48 | 198 | 171 | 5.4 |

\*All dimensions are in mm

## HOW TO ORDER



## HOW TO ORDER

