

APPLICATIONS

Temperature measurement in food, dairy, pharmaceutical & chemical processes where contamination / cleanliness is of great concern

FEATURES

- Pt-100, 3-wire Single / Dual circuit, Class A accuracy
- 6mm sheath dia (straight)
- Sheath length : 25mm* & above. 6mm / 6R above 25mm and upto 200mm. 8mm / 8R for longer sheaths.
- Wetted parts made of SS316L (1.4404)
- SS304 terminal head with IP68
- Electrical connection : M12 connector
- Roughness value (Ra) ≤ 0.8 µm and ≤ 0.51 µm for non wetted and wetted parts respectively
- Operating pressure 10 bar
- Temperature range - ambient, -50... +85°C
- Temperature range - sensors tip, -50...+250°C
- 30mm lag extension

OPTIONS

- Pt-100, 4-wire
- Custom sheath diameters
- 2 x Pt-100
- Class AA (1/3 B) accuracy
- Reduced tip for fast response
- Electrical Connection : Polyamide gland
- M12 socket with Cable
- Surfaces with Ra ≤ 0.38 µm for wetted parts
- Head mounted transmitters
- Electropolished SS316 terminal head
- Polyamide cable gland
- Fixing clamps, SS304
- EPDM gaskets, FDA approved
- Silicon rubber gaskets, Phthalate free & FDA approved
- Retrofittable elements**
- CE certification

ACCURACY OF Pt100 AS PER IEC 60751

Pt100	A (1/2B)	AA (1/3B)
0°C (100Ω)	±0.15°C/±0.06Ω	±0.1°C/±0.04Ω
100°C (138.5Ω)	±0.35°C/±0.13Ω	±0.27°C/±0.1Ω

RESPONSE TIME

Tip Dia.	Imm. Length	T _{0.5}	T _{0.9}
6 mm	50 mm	4 s	9 s

T_{0.5} and T_{0.9} shows the response times at 50% and 90% of the step change. This data is measured by immersing the sensing bulb from ambient temperature to boiling water flowing at 0.4 m/sec. The result may vary according to the measuring environment and condition.

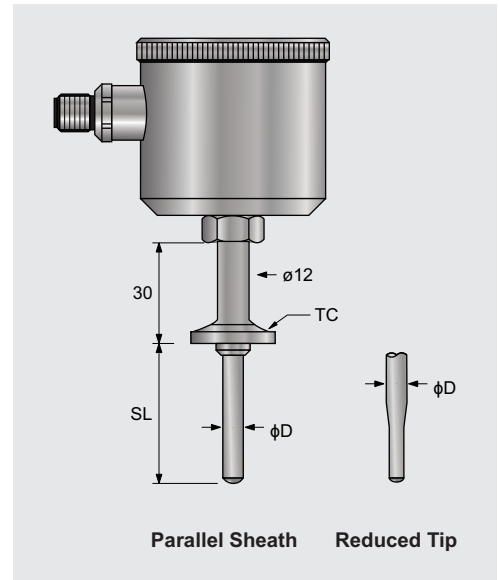
HOW TO ORDER

RHS802	S	S5	A3	A	12	6	50	X	X	X
--------	---	----	----	---	----	---	----	---	---	---

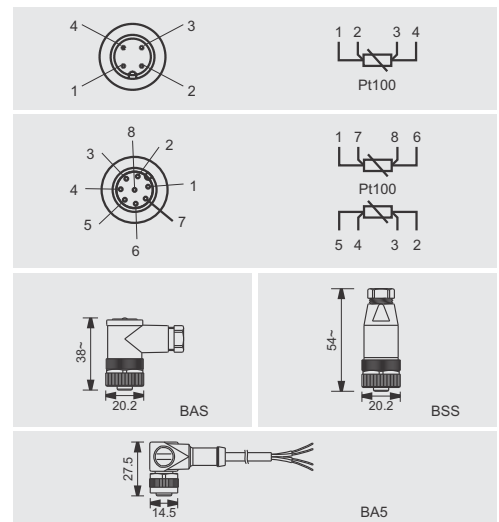
Optional accessories
 No. of calibration points
 Termination (ref. table 2)
 Insertion Length
 Sheath Dia (ref. table 3)
 1/2" Tri-clover (ref. table 1)
 Class A accuracy
 Pt-100, 3-wire
 Terminal head
 No. of circuit
 Model

* with reduced tip 6R.

** Not available with reduce tip



ELECTRICAL CONNECTION



PROCESS CONNECTION (TABLE 1)

CODE	TRI-CLOVER SIZE
12	1/2" (25.0 mm)
19	3/4" (25.0 mm)
25	1" (50.4 mm)
50	2" (64.0 mm)
63	2.5" (77.5 mm)

TERMINATION (TABLE 2)

CODE	TYPE
FL	Flying leads
TB	Terminal block

REDUCED TIP (TABLE 3)

CODE	TYPE
6R	6mm reduced to 4mm
8R	8mm reduced to 5mm
10R	10mm reduced to 6mm