



- Inputs : J, K, Pt100
- 0 / 1 setpoint
- 85~265 V AC SMPS
- Control : ONOFF and Time Proportional
- Accuracy : $\pm 0.1\%$ of full scale ± 1 °C, typical
- Sensor break indication

SPECIFICATIONS

All specifications at ambient of 25 °C, unless specified otherwise

INPUT

Input types	J, K
Thermocouple	
RTD	Pt100
Range limits	See Table 1
Accuracy	See Table 1
Cold junction compensation	Automatic
Temperature coefficient of accuracy	$\pm 0.5\%$ of span / 25 °C
Units	°C (For °F, contact us)

OUTPUTS

No. of relays	0/1 electromagnetic relay
Relay contact type	NO-C-NC
Relay contact rating	5A / 230V AC, resistive
SSR drive	12 V DC drive signal for external SSR
Mutual isolation between input/output/supply	1 KV AC / 1 minute

INDICATION

Display	4 digit, 7 segment 0.56" (14.2 mm) red LED display
Status indication	LED for relay status

PROGRAMMABLE PARAMETERS

Input	
Setpoint	Full range (See Table 1)
Hysteresis / band	0.1 to 99.9
Resolution	1 for TC
	0.1, 1 for Pt100
Bias	-99.9 to 99.9
High scale	Full range (See Table 1)
Low scale	Full range (See Table 1)
Control functions	ONOFF, Time Proportional Control (TPC)
Cycle time for TPC	1 ~ 99 seconds
Relay logic	a. Heat b. Cool
Proportional offset	-99.9 to 99.9

OTHER

Keyboard	Tactile, 3 keys
Enclosure construction	Plug-in (circuit removable without affecting terminal wiring)
Dimensions (in mm)	72(H) x 72(W) x 100(D)
Mounting	Panel mount
Panel cutout	68 x 68 mm
Supply voltage	85~265 V AC, 50/60 Hz
Power consumption	3 watts maximum
Operating ambient temperature	0 ~ 50 °C

RELAY LOGIC

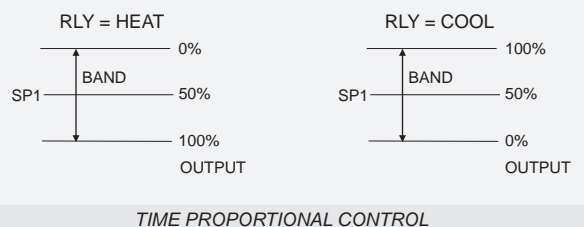
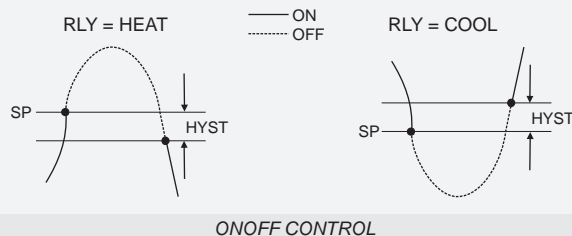
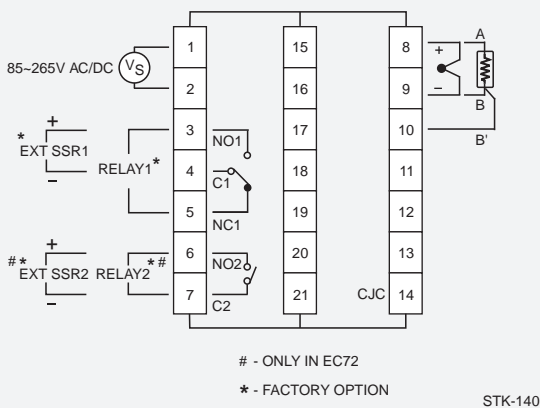


TABLE 1

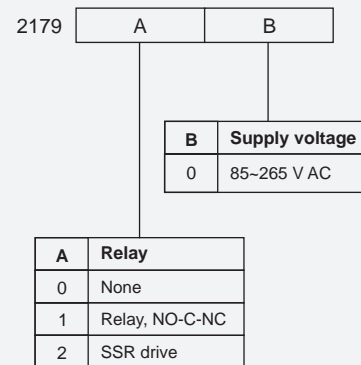
SENSOR / INPUT	RANGE LIMITS (°C / EU)		RANGE IN WHICH ACCURACY IS SPECIFIED		TYPICAL ACCURACY AT 30 °C (°C / EU)	WORST CASE ACCURACY (°C / EU)
	LOW SCALE	HIGH SCALE	LOW SCALE	HIGH SCALE		
Iron / Constantan (J)	-99	750	0	750	± 1	± 3
Chromel / Alumel (K)	-99	1350	-50	1200	± 1	± 3
Pt100, 3-wire	-99	850	-50	850	± 0.5 *	± 2.0

* ± 0.1°C in the range -50 to +400 °C

CONNECTION DIAGRAM



ORDERING INFORMATION



Product url : www.radix.co.in/ptc.htm

OTHER PRODUCTS

ONOFF CONTROLLER • EC48

48x48x100 • 2 SETPOINTS



ONOFF CONTROLLER • TC49SU

48x96x100 • 2 SETPOINTS



PID CONTROLLER • P48

48x48x100 • 2 SETPOINTS



ONOFF CONTROLLER • TC96

96x96x100 • 2 SETPOINTS



ONOFF CONTROLLER • EC48S

48x48x100 • 1 SETPOINT



PID CONTROLLER • P96

96x96x100 • 2 SETPOINTS



radix[®]
AN ISO 9001:2008 COMPANY

SALES INQUIRIES

1800-22-radix
1800-22-7234

www.radix.co.in

Radix Electrosystems Pvt Ltd
B-14, 2nd Floor, Ghanashyam Indl Estate
Veera Desai Road, Andheri (W)
Mumbai - 400053, India
Tel : + 91 22 2673101 / 42537777
Fax : + 91 22 26731891 / 42537700
Email : sales@radix.co.in • www.radix.co.in

BANGALORE C : 0-9341063830
BARODA C : 0-9376215882
CHANDIGARH C : 0-9316460869
CHENNAI C : 0-9381056345
CHHATISGARH C : 0-9337002344
COIMBATORE C : 0-9380284497
GANDHIDHAM C : 0-9377546388

GOA C : 0-9371439090
GWALIOR C : 0-9301995060
HP C : 0-9316460869
HYDERABAD C : 0-9391053480
INDORE C : 0-9301995060
KARNATAKA C : 0-9341063830
KERALA C : 0-9349342306

NAGPUR C : 0-9322245543
NEW DELHI C : 0-9312600076
T : 011-25786350
ORISSA C : 0-9337002344
PUNE C : 0-9371113404
T : 020-24479759
PUNJAB C : 0-9316460869