

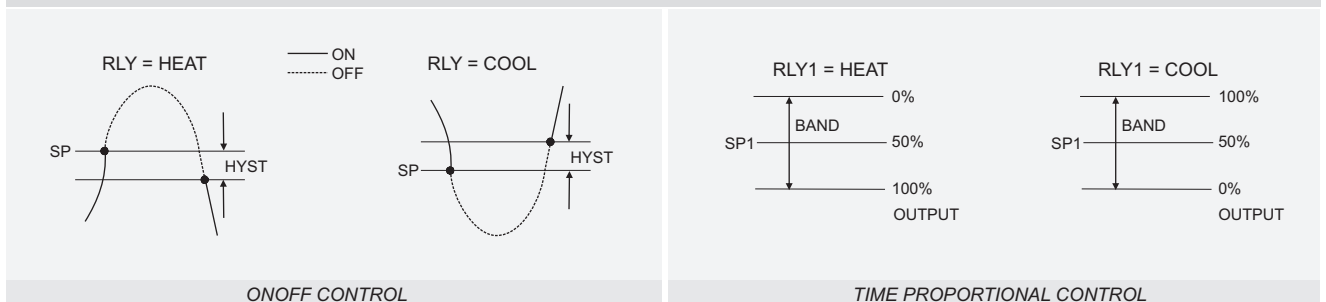


J, K, Pt100  
 0 / 1 / 2 setpoints  
 85~265 V AC SMPS  
 Functions : ONOFF and Time Proportional  
 Accuracy : 0.1% of full scale 1 C, typical  
 Sensor break indication

**SPECIFICATIONS** All specifications at ambient of 25 °C, unless specified otherwise

<p><b>INPUT</b></p> <p><b>Input types</b>                  Thermocouple                  RTD</p> <p><b>Range limits</b>                  Accuracy</p> <p><b>Temperature coefficient of accuracy</b></p> <p><b>Cold junction compensation</b></p> <p><b>Units</b>                  Pt100, Thermocouple</p> <p><b>OUTPUTS</b></p> <p><b>No. of relays</b>                  Relay contact type                  Relay contact rating                  SSR drive</p> <p><b>Mutual isolation between input/output/supply</b></p> <p><b>INDICATION</b></p> <p><b>Display</b></p> <p><b>Status indication</b></p>	<p>J, K                  Pt100</p> <p>See Table 1                  See Table 1</p> <p>± 0.5% of span / 25 °C</p> <p>Automatic</p> <p>°C (For °F, contact us)</p> <p>0/1/2 electromagnetic relays                  NO-C-NC                  5A / 230V AC, resistive                  12 V DC drive signal for external SSR                  1 KV AC / 1 minute</p> <p>Upper : 4 digit, 7 segment 0.56" (14.2 mm) red LED display                  Lower : 4 digit, 7 segment 0.56" (14.2 mm) green LED display                  2 LEDs for relay status</p>	<p><b>PROGRAMMABLE PARAMETERS</b></p> <p><b>Setpoint</b>  <b>Hysteresis / band</b>  <b>Resolution</b></p> <p><b>High scale</b>  <b>Low scale</b>  <b>Control functions</b></p> <p><b>Cycle time for TPC</b>  <b>Relay logic</b>  <b>Proportional offset</b></p> <p><b>OTHER</b></p> <p><b>Keyboard</b>  <b>Enclosure construction</b></p> <p><b>Dimensions (in mm)</b>  <b>Mounting</b>  <b>Panel cutout</b>  <b>Supply voltage</b>  <b>Power consumption</b>  <b>Operating ambient temperature</b>  <b>Relative humidity</b></p>	<p>Full range (See Table 1)                  0.1 to 99.9 °C                  1 for TC                  0.1, 1 for Pt100</p> <p>Full range (See Table 1)                  Full range (See Table 1)                  ONOFF, Time Proportional Control (TPC) (RLY1), ONOFF (RLY2)                  1 ~ 99 seconds                  a. Heat b. Cool                  -99.9 to 99.9 °C (RLY1)</p> <p>Tactile, 3 keys                  Plug-in (circuit removable without affecting terminal wiring)</p> <p>96(H) x 96(W) x 100(D)                  Panel mount                  92 x 92 mm                  85~265 V AC, 50/60 Hz                  3 watts maximum                  0 ~ 50 °C</p> <p>Below 90%, non condensing</p>
--	--	---	---

**RELAY LOGIC**

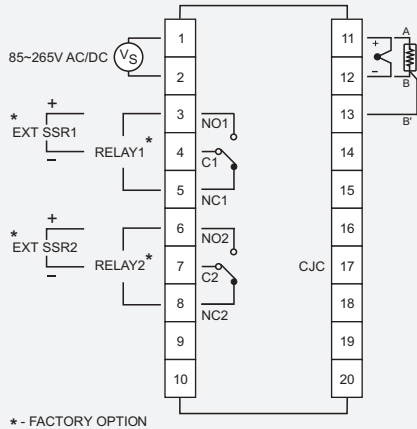


**TABLE 1**

SENSOR / INPUT	RANGE LIMITS (°C / EU)		RANGE IN WHICH ACCURACY IS SPECIFIED		TYPICAL ACCURACY AT 30 °C (°C / EU)	WORST CASE ACCURACY (°C / EU)
	LOW SCALE	HIGH SCALE	LOW SCALE	HIGH SCALE		
Iron / Constantan (J)	-99	750	0	750	± 1	± 3
Chromel / Alumel (K)	-99	1350	-50	1200	± 1	± 3
Pt100, 3-wire	-99	850	-50	850	± 0.5 *	± 2

\* ± 0.1°C in the range -50 to +400 °C

**CONNECTION DIAGRAM**



\* - FACTORY OPTION

STK-137

**ORDERING INFORMATION**

2024 A

A	Configuration	
	Relay	SSR drive
00	1	0
01	2	0
02	1	1

Product url : [www.radix.co.in/ptc.htm](http://www.radix.co.in/ptc.htm)

**OTHER PRODUCTS**

**ONOFF CONTROLLER EC48**

48x48x100 2 SETPOINTS



**ONOFF CONTROLLER TC49SU**

48x96x100 2 SETPOINTS



**PID CONTROLLER P48**

48x48x100 2 SETPOINTS



**ONOFF CONTROLLER TC96**

96x96x100 2 SETPOINTS



**ONOFF CONTROLLER EC96S**

96x96x100 2 SETPOINTS



**PID CONTROLLER P96**

96x96x100 2 SETPOINTS



INSTRUMENTS T : + 91 22 26730101 x 701 F : + 91 22 26731891 E : sales@radix.co.in  
 SENSORS T : + 91 22 26731826 x 732 F : + 91 22 66910029 E : sensors@radix.co.in  
 GAUGES T : + 91 22 26731826 x 733 F : + 91 22 66910029 E : gauges@radix.co.in  
 AUTOMATION C : 0-9322405471 E : automation@radix.co.in

SALES INQUIRIES

**1800-22-radix**  
**1800-22-7234**

Radix Electrosystems Pvt Ltd, B-14, 2nd Floor, Ghanshyam Indl Estate, Veera Desai Road, Andheri (West), Mumbai - 400 053, India  
 Tel : + 91 22 26730101 Fax : + 91 22 26731891 Email : sales@radix.co.in www.radix.co.in

[www.radix.co.in](http://www.radix.co.in)