



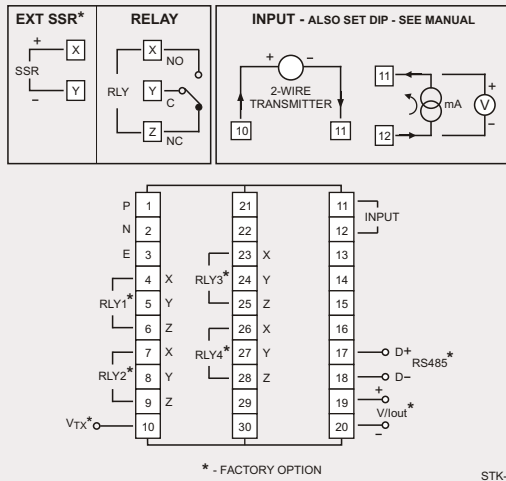
- Range : -19999 to +99999
- Inputs : 0~20 mA, 4~20 mA, 0~5 volts, 1~5 volts, 0~10 volts - user selectable
- Four alarms / relays
- Programmable high/low scale, setpoints, relay modes, etc.
- Isolated programmable 4~20 mA (or 0~10 V DC, etc) retransmission output
- RS 485 / MODBUS
- Password protected programming

SPECIFICATIONS

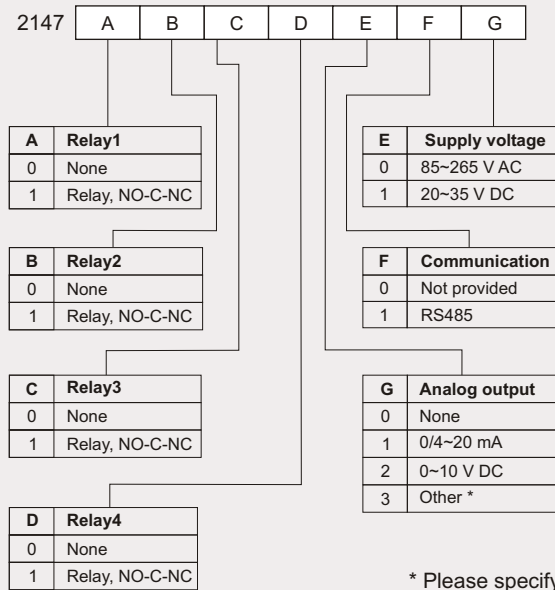
All specifications at ambient of 25 °C, unless specified otherwise

<p>INPUT</p> <p>Input</p> <p>Transmitter supply Accuracy</p> <p>Input range Resolution</p> <p>INDICATION</p> <p>Process value</p> <p>Setpoint</p> <p>Status indication</p> <p>OUTPUTS</p> <p>No. of relays</p> <p>Relay contact type</p> <p>Relay contact rating</p> <p>No. of analog outputs</p> <p>Current output</p> <p>Maximum load for current output</p> <p>Voltage output</p> <p>Load for voltage output</p> <p>Mutual isolation between input/output/supply</p>	<p>0-20 mA, 4~20 mA, 0~5 V, 0~1 V, 0~10 V (user selectable by DIP & programming)</p> <p>22 V nominal, 30 mA max 0.1% of span typical, 0.2% of span maximum</p> <p>-19999 to 99999 EU 1 part in 119998 (0.001%)</p> <p>Upper : 5 digit, 7 segment 0.56" (14.2 mm) red LED display</p> <p>Lower : 5 digit, 7 segment 0.3" (7.62 mm) green LED display</p> <p>LEDs for relay status LEDs for communication</p> <p>0 / 1 / 2 / 3 / 4 NO-C-NC 5A / 230V AC, resistive 0 / 1 (current or voltage) 4~20 mA / 0~20 mA / 20~4 mA / 20~0 mA isolated from input 500 ohms</p> <p>0~10 V or user specified >10 Kohms 1KV AC RMS/1 minute, 250 V AC RMS continuous</p>	<p>COMMUNICATION</p> <p>Port Protocol Slave ID</p> <p>PROGRAMMABLE PARAMETERS</p> <p>Input type</p> <p>Input mode</p> <p>Setpoints</p> <p>Resolution</p> <p>High scale for flow rate</p> <p>Low scale for flow rate</p> <p>Digital filter</p> <p>Hysteresis for flow rate alarms</p> <p>Alarm logic</p> <p>Alarm type</p> <p>Alarm acknowledge</p> <p>Setpoint lock</p> <p>Program lock</p> <p>Relay action</p> <p>OTHER</p> <p>Programming</p> <p>Enclosure construction</p> <p>Dimensions (in mm)</p> <p>Mounting</p> <p>Panel cutout</p> <p>Supply voltage</p> <p>Power consumption</p> <p>Operating ambient temperature</p> <p>Relative humidity</p>	<p>RS485 Modbus RTU User programmable (1~256)</p> <p>User selectable (DIP also to be set) Linear, Square root -19999 to 9999 -19999 to 99999 0.0001 to 1 -19999 to 99999 -19999 to 99999 A(minimum) ~ F(maximum) 0.001 to 9999 Full scale high, Full scale low, Deviation high, Deviation low, Band in, Band out Self reset or latched, enabled/disabled at power on</p> <p>Front panel function used to reset relay in alarm condition On, Off On, Off Reverse/Direct</p> <p>Through 4 tactile keys Plug-in 96(H) x 96(W) x 100(D) Panel mount 92 x 92 mm a) 85~265 V AC, 50/60 Hz b) 20~35 V DC 4 watts maximum 0~50 °C Below 90%, non condensing</p>
---	--	---	---

CONNECTION DIAGRAM



ORDERING INFORMATION



OTHER PRODUCTS

ONOFF CONTROLLER X96A

96x96x100 4 SETPOINTS 2 ANALOG OUTPUTS



- Two universal inputs
- 0 / 1 / 2 / 3 / 4 setpoints corresponding to input 1, input 2
- Isolated 2 x 0/4~20 mA or 0-10 V DC retransmission outputs corresponding to input 1, input 2
- 24 V DC transmitter supply
- RS485 / MODBUS RTU
- 85~265 V AC SMPS
- ONOFF control

ONOFF CONTROLLER TC96

96x96x100 2 SETPOINTS ANALOG OUTPUT



- Universal input : 8 thermocouples, Pt100, 0/4~20 mA, 0~10 V DC
- 0 / 1 / 2 setpoints
- Isolated 0/4~20 mA or 0~10 V DC retransmission output
- 85~265 V AC SMPS or 20~35 V DC
- Functions : ONOFF and Time Proportional
- Accuracy : 0.1% of full scale 1 C, typical
- Sensor break indication



SALES INQUIRIES

1800-22-radix
1800-22-7234

www.radix.co.in

Radix Electrosystems Pvt Ltd
B-14, 2nd Floor, Ghanshyam Indl Estate
Veera Desai Road, Andheri (W)
Mumbai - 400 053, India
Tel : + 91 22 26730101 Fax : + 91 22 26731891
Email : sales@radix.co.in www.radix.co.in
Exports email : exports@radix.co.in

BANGALORE C : 0-9341063830
BARODA C : 0-9376215882
CHANDIGARH C : 0-9313560869
CHENNAI C : 0-9381056345
CHHATISGARH C : 0-9337002344
COIMBATORE C : 0-9380284497
GOA C : 0-9371439090

GWALIOR C : 0-9322245543
HP C : 0-9313560869
HYDERABAD C : 0-9391053480
INDORE C : 0-9301995060
KARNATAKA C : 0-9341063831
KERALA C : 0-9341273814
NAGPUR C : 0-9322245543

NEW DELHI C : 0-9312600076
T : 011-25786350
ORISSA C : 0-9337002344
PUNE C : 0-9371113404
T : 020 24479759
PUNJAB C : 0-9312600076