

FLOW RATE INDICATOR / TOTALISER ————— FLP FLOTO46

4-DIGIT RATE INDICATOR, 6-DIGIT TOTALISER



- 4 digit flow rate indicator, 6 digit flow totaliser
- User selectable inputs : 0~20 mA, 4~20 mA, 0~5 volts, 1~5 volts, 0~10 volts, 0~10 khz
- Two batch relays, two flow alarm relays
- Programmable flow rate, setpoints and relay modes, etc.
- Application : Monitoring and controlling continuous as well as batch flow processes
- Isolated programmable 4~20 mA retransmission output
- RS 485 / MODBUS
- Password protected programming and reset
- Programmable start, stop, reset functions

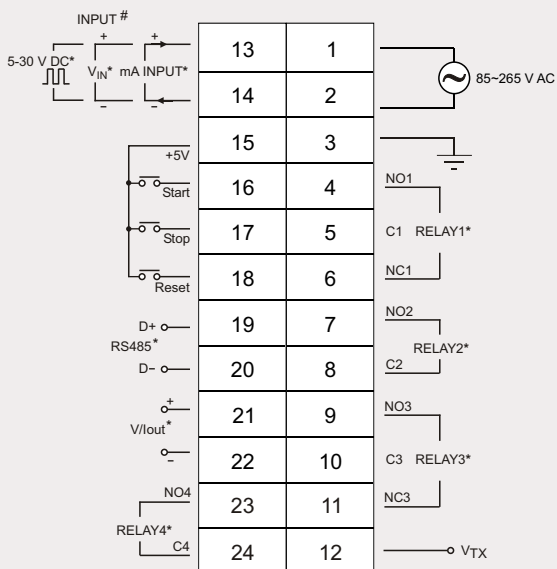
SPECIFICATIONS All specifications at ambient of 25 °C, unless specified otherwise

INPUTS		ENCLOSURE	
Input	0-20 mA, 4~20 mA, 0~5 V, 0~1 V, 0~10 V, 0~10 Khz (user selectable by DIP & programming)	Enclosure	Certified flameproof for gas groups I, IIA & IIB Aluminium alloy 352(H) x 190(W) x 170(D)
Transmitter supply	22 V nominal, 30 mA max	Material	Aluminium alloy
Accuracy	0.1% of span typical, 0.2% of span maximum	Dimensions (in mm)	352(H) x 190(W) x 170(D)
Flow rate range	0.001 to 9999 EU	Protection	IP65
Flow totaliser range	0 to 999999	Pushbuttons	4, for programming & viewing
Memory	Non volatile, indefinite retention	Mounting	Wall mount
INDICATION		Cable entries*	5 x 3/4" ET
Flow rate	Upper : 4 digit, 7 segment 0.56" (14.2 mm) red LED display	PROGRAMMABLE PARAMETERS	
Totaliser	Lower : 6 digit, 7 segment 0.3" (7.62 mm) green LED display	Input type	User selectable (DIP also to be set) Linear, Square root
Status indication	LEDs for relay status LEDs for flow rate unit LEDs for communication	Input mode	For flow rate (SP1, SP2) :
VIEW MODE		Setpoints	0 to 9999 For totaliser (SP3, SP4) :
Integrated totaliser	0 to 999999	Resolution	0 to 999999
Roll over count of Integrated totaliser	10 ⁶	Flow rate	0.001 to 1
Peak	Maximum flowrate after power on / reset	Totaliser	0.00001 to 1
Valley	Minimum flowrate after power on / reset	High scale for flow rate	0.1 to 9999
OUTPUTS		Low scale for flow rate	0.1 to 9999
No. of relays	0 / 2 for flow rate alarm 0 / 2 for totaliser	Digital filter	A(minimum) ~ F(maximum)
Relay contact type	NO-C-NC	Time base unit	Second, minute, hour, day
Relay contact rating	5A / 230V AC, resistive	Hysteresis for flow rate alarms	0.001 to 9999
No. of analog outputs	0 / 1 (current or voltage)	Flow rate alarm logic	Full scale high, Full scale low, Deviation high, Deviation low, band in, band out
Current output	4~20 mA / 0~20 mA / 20~4 mA / 20~0 mA isolated from input	Flow rate alarm type	Self reset or latched, enabled/disabled at power on
Maximum load for current output	500 ohms	Alarm acknowledge	Front panel function used to reset relay in alarm condition
Voltage output	0~10 V or user specified	Offset (for SP3, SP4)	0 to 9999
Load for voltage output	>10 Kohms	Relay logic for totaliser	Latched mode, Autoreset mode
Mutual isolation between input/output/supply	1KV AC RMS/1 minute, 250 V AC RMS continuous	Auto reset time	0.1 to 99.9 seconds
COMMUNICATION		Setpoint lock	On, Off
Port	RS485	Program lock	On, Off
Protocol	Modbus RTU	Relay action	Reverse/Direct
Slave ID	User programmable (1~256)	Conversion factor	0.01 to 9999.99
		Start, stop and reset functions	Programmable
		OTHER	
		Supply voltage	a) 85~265 V AC, 50/60 Hz b) 20~35 V DC
		Power consumption	4 watts maximum
		Operating ambient temperature	0~50 °C
		Relative humidity	Below 90%, non condensing

FLOW RATE INDICATOR / TOTALISER ————— FLP FLOTO46

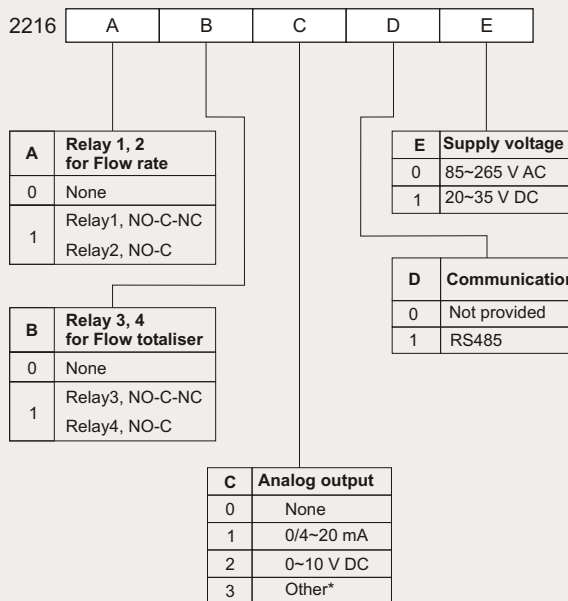
4-DIGIT RATE INDICATOR, 6-DIGIT TOTALISER

CONNECTION DIAGRAM



* - FACTORY OPTION
- USER SELECTABLE

ORDERING INFORMATION



ALSO AVAILABLE : FLP FLOTO



- 6 digit flow rate indicator, 8 digit flow totaliser
- All other details same as FLP FLOTO46

radix
AN ISO 9001:2000 COMPANY

SALES INQUIRIES

1800-22-radix
1800-22-7234

www.radix.co.in

Radix Electrosystems Pvt Ltd
B-14, 2nd Floor, Ghanshyam Indl Estate
Veera Desai Road, Andheri (W)
Mumbai - 400 053, India
Tel : + 91 22 26730101 Fax : + 91 22 26731891
Email : sales@radix.co.in www.radix.co.in
Exports email : exports@radix.co.in

BANGALORE C : 0-9341063830
BARODA C : 0-9376215882
CHANDIGARH C : 0-9313560869
CHENNAI C : 0-9381056345
CHHATISGARH C : 0-9337002344
COIMBATORE C : 0-9380284497
GOA C : 0-9371439090

GWALIOR C : 0-9322245543
HP C : 0-9313560869
HYDERABAD C : 0-9391053480
INDORE C : 0-9301995060
KARNATAKA C : 0-9341063831
KERALA C : 0-9341273814
NAGPUR C : 0-9322245543

NEW DELHI C : 0-9312600076
ORISSA T : 011-25786350
PUNE C : 0-9337002344
T : 020 24479759
PUNJAB C : 0-9316460869
C : 0-9312600076