



Inputs : J, K, Pt100
85~265 V AC SMPS
Control : PID Control
Autotuning for PID parameters
Accuracy : 0.1% of full scale 1 C, typical
Sensor break indication
Plug-in design
48 x 48 x 100 mm

SPECIFICATIONS

All specifications at ambient of 25 °C, unless specified otherwise

INPUT

Input types
 Thermocouple J, K
 RTD Pt100
Range limits See Table 1
Resolution 1°
Accuracy See Table 1
Cold junction compensation Automatic
Temperature coefficient of accuracy ± 0.5% of span / 25 °C

OUTPUTS

No. of relays 1 electromagnetic relay
Relay contact type NO-C-NC
Relay contact rating 5A / 230V AC, resistive
SSR drive 12 V DC drive signal for external SSR
Mutual isolation between input/output/supply 1 KV AC / 1 minute

INDICATION

Display 3 digit, 7 segment
 0.52" (13.2 mm) red LED display
Status indication LED for relay status

PID CONTROL

PID parameter values Determined by 'Autotune' (values not available to user)
PID control type For 'Heat' type of applications (single output)

PROGRAMMABLE PARAMETERS

Input
Setpoint Full range (See Table 1)
Autotune ON, OFF

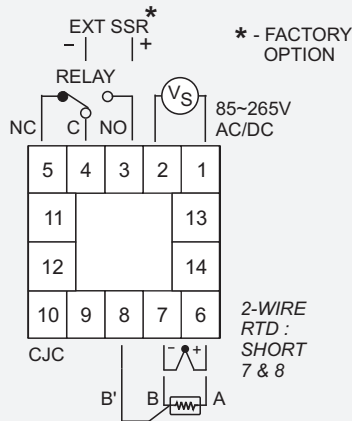
OTHER

Keyboard Tactile, 3 keys
Enclosure construction Plug-in (circuit removable without affecting terminal wiring)
Dimensions (in mm) 48(H) x 48(W) x 100(D)
Mounting Panel mount
Panel cutout 44 x 44 mm
Supply voltage 85~265 V AC, 50/60 Hz
Power consumption 3 watts maximum
Operating ambient temperature 0 ~ 50 °C
Relative humidity Below 90%, non condensing

TABLE 1

SENSOR / INPUT	RANGE LIMITS (°C / EU)		RANGE IN WHICH ACCURACY IS SPECIFIED		TYPICAL ACCURACY AT 30 °C (°C / EU)	WORST CASE ACCURACY AT 30 °C (°C / EU)
	LOW SCALE	HIGH SCALE	LOW SCALE	HIGH SCALE		
Iron / Constantan (J)	-99	760	0	760	± 1	± 3
Chromel / Alumel (K)	-99	999	-50	999	± 1	± 3
Pt100, 3-wire	-99	850	-50	850	± 1	± 2

CONNECTION DIAGRAM



ORDERING INFORMATION

2200 A

A	Configuration	
	Relay	SSR drive
00	1	0
01	0	1

* Minimum Order quantity required : 5 pcs

OTHER PRODUCTS

PID CONTROLLER P372

72x72x100 1 SETPOINT LOW COST



PID CONTROLLER P396

96x96x100 1 SETPOINT LOW COST



PID CONTROLLER P48

48x48x100 2 SETPOINTS



PID CONTROLLER X49

48x96x100 4 SETPOINTS



PID CONTROLLER P72

72x72x100 2 SETPOINTS



PID CONTROLLER P96

96x96x100 2 SETPOINTS



PID CONTROLLER X48

48x48x100 3 SETPOINTS FULL FEATURED



PID CONTROLLER X94

96x48x100 4 SETPOINTS FULL FEATURED



PID CONTROLLER X96P

96x96x100 5 SETPOINTS FULL FEATURED



radix[®]
AN ISO 9001:2008 COMPANY

INSTRUMENTS T : +91 22 26730101 x 701 F : +91 22 26731891 E : sales@radix.co.in
SENSORS T : +91 22 26731826 x 732 F : +91 22 66910029 E : sensors@radix.co.in
GAUGES T : +91 22 26731826 x 733 F : +91 22 66910029 E : gauges@radix.co.in
AUTOMATION C : 0-9322405471 E : automation@radix.co.in

SALES INQUIRIES

1800-22-radix
1800-22-7234

Radix Electrosystems Pvt Ltd, B-14, 2nd Floor, Ghanshyam Indl Estate, Veera Desai Road, Andheri (West), Mumbai - 400 053, India
Tel : + 91 22 26730101 Fax : +91 22 26731891 Email : sales@radix.co.in www.radix.co.in

www.radix.co.in