



Inputs : J, K, Pt100
85~265 V AC SMPS
Control : PID Control
Autotuning for PID parameters
Accuracy : 0.1% of full scale 1 C, typical
Sensor break indication
Plug-in design
96 x 96 x 100 mm

SPECIFICATIONS

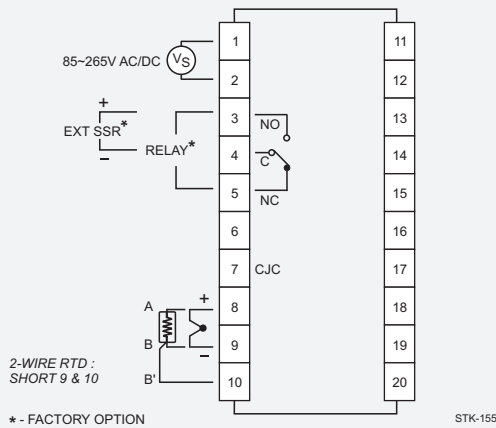
All specifications at ambient of 25 °C, unless specified otherwise

INPUT Input types Thermocouple J, K RTD Pt100 Range limits See Table 1 Resolution 1° Accuracy See Table 1 Cold junction compensation Automatic Temperature coefficient of accuracy ± 0.5% of span / 25°C		PID CONTROL PID parameter values Determined by 'Autotune' (values not available to user) PID control type For 'Heat' type of applications (single output)	
OUTPUT No. of relays 1 electromagnetic relay Relay contact type NO-C-NC Relay contact rating 5A / 230V AC, resistive SSR drive 12 V DC drive signal for external SSR Mutual isolation between input/output/supply 1 KV AC / 1 minute		PROGRAMMABLE PARAMETERS Input Setpoint Autotune Full range (See Table 1) ON, OFF	
INDICATION Display 3 digit, 7 segment 0.56" (14.2 mm) red LED display Status indication LED for relay status		OTHER Keyboard Tactile, 3 keys Enclosure construction Plug-in (circuit removable without affecting terminal wiring) Dimensions (in mm) 96(H) x 96(W) x 100(D) Mounting Panel mount Panel cutout 92 x 92 mm Supply voltage 85~265 V AC, 50/60 Hz Power consumption 3 watts maximum Operating ambient temperature 0 ~ 50 °C Relative humidity Below 90%, non condensing	

TABLE 1

SENSOR / INPUT	RANGE LIMITS (°C / EU)		RANGE IN WHICH ACCURACY IS SPECIFIED		TYPICAL ACCURACY AT 30 °C (°C / EU)	WORST CASE ACCURACY AT 30 °C (°C / EU)
	LOW SCALE	HIGH SCALE	LOW SCALE	HIGH SCALE		
Iron / Constantan (J)	-99	760	0	760	± 1	± 3
Chromel / Alumel (K)	-99	999	-50	999	± 1	± 3
Pt100, 3-wire	-99	850	-50	850	± 1	± 2

CONNECTION DIAGRAM



ORDERING INFORMATION

2199 A

A	Configuration	
	Relay	SSR drive
00	1	0
01	0	1

* Minimum Order quantity required : 5 pcs

OTHER PRODUCTS

PID CONTROLLER P348

48x48x100 1 SETPOINT LOW COST



PID CONTROLLER P372

72x72x100 1 SETPOINT LOW COST



PID CONTROLLER P48

48x48x100 2 SETPOINTS



PID CONTROLLER X49

48x96x100 4 SETPOINTS



PID CONTROLLER P72

72x72x100 2 SETPOINTS



PID CONTROLLER P96

96x96x100 2 SETPOINTS



PID CONTROLLER X48

48x48x100 3 SETPOINTS FULL FEATURED



PID CONTROLLER X94

96x48x100 4 SETPOINTS FULL FEATURED



PID CONTROLLER X96P

96x96x100 5 SETPOINTS FULL FEATURED



radix[®]
AN ISO 9001:2008 COMPANY

INSTRUMENTS T : +91 22 26730101 x 701 F : +91 22 26731891 E : sales@radix.co.in
SENSORS T : +91 22 26731826 x 732 F : +91 22 66910029 E : sensors@radix.co.in
GAUGES T : +91 22 26731826 x 733 F : +91 22 66910029 E : gauges@radix.co.in
AUTOMATION C : 0-9322405471 E : automation@radix.co.in

SALES INQUIRIES

1800-22-radix
1800-22-7234

Radix Electrosystems Pvt Ltd, B-14, 2nd Floor, Ghanshyam Indl Estate, Veera Desai Road, Andheri (West), Mumbai - 400 053, India
Tel : +91 22 26730101 Fax : +91 22 26731891 Email : sales@radix.co.in www.radix.co.in

www.radix.co.in