



0.000-999999 count range with absolute accuracy, 0.06-300000 RPM with ultra accuracy of 0.05% of reading

Programmable setpoints, scale factor

Application : Totaliser, RPH, RPM, RPS, Meters/Minute, Mains Frequency etc.

Measures upto 5Khz

Inputs : Proximity switch, voltage pulses, Limit switch, electromagnetic pick up

Counting modes : Up, down, bi-directional, quadrature

SPECIFICATIONS

All specifications at ambient of 25 °C, unless specified otherwise

INPUTS

Input 1
Input 2
Input types

Count 1 input
Count 2 input (Direction)
a) Proximity switch, photo electric switch (+12 V DC provided)
b) Limit switch, microswitch, etc. (potential free contact closure)
c) Electromagnetic pickup - 3-wire, 2-wire (optional)
d) Voltage pulses (5~30 V DC)

Maximum input frequency
Range limits
(for scale factor = 1)

5 KHz
Rate* : 0.001 to 5000 PPS/RPS
0.06 to 300000 PPM/RPM
3.6 to 999999 PPH/RPH

Accuracy

Totaliser : 0.000 to 999999
Rate : ± 0.05% of reading,
± 2 counts typical

Counting modes

Totaliser : Absolute
Up (incrementing)
Down (decrementing)
Bi-directional
Quadrature
Gate & reset

Control inputs

INDICATION
Display

6 digits, 7 segment 0.56" red LED display

MEMORY

Non volatile, Indefinite retention

PROGRAMMABLE PARAMETERS

Scale Factor
Base no (b.no.)
Exponent (n)
Reset
Rate unit *

b.no x 10ⁿ
0.00001 to 999999
-5 to 2
Front Panel reset or remote reset
PPS (hz) / RPS,
PPM / RPM,
PPH / RPH
0.001 to 2 PPS/RPS,
0.06 to 120 PPM/RPM,
3.6 to 7200 PPH/RPH
* (PPS/PPM/PPH = pulse per second / minute / hour)

Minimum Rate *

Resolution
Program lock

1/0.1/0.01/0.001
ON/OFF

OTHER

Keyboard
Enclosure construction

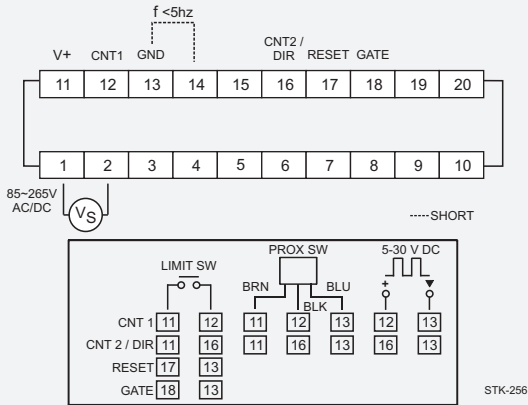
Tactile, 3 keys
Plug-in (circuit removable without affecting terminal wiring)

Dimensions (in mm)
Mounting
Panel cutout
Supply voltage
Operating ambient temperature
Relative humidity

48(H) x 96(W) x 100(D)
Panel mount
44 x 92 mm
85~265 V AC, 50/60 Hz
0~50 °C

Below 90%, non condensing

CONNECTION DIAGRAM



ORDERING INFORMATION

ORDER CODE : 2229

Ordering Options

The following ordering options are available on request. Minimum order quantity and/or minimum order value may apply.

Option	Details
1. Electromagnetic pickup	3-wire
2. Electromagnetic pickup	2-wire
3. Analog output	0~10 V DC
4. Supply voltage	20~35 V DC

Product url : www.radix.co.in/rct.htm

OTHER PRODUCTS

PROGRAMMABLE RPM/RATE INDICATOR RCT202
48x96x100



PRESET COUNTER WITH RATE INDICATOR RCT205
48x96x100



RPM/RATE INDICATOR WITH ALARMS RCT206
48x96x100 2 RELAY & ANALOG OUTPUT



PRESET COUNTER RCT401
72x72x100



PRESET COUNTER RCT403
72x72x100



PRESET COUNTER RCT404
72x72x100



INSTRUMENTS T : + 91 22 26730101 x 701 F : + 91 22 26731891 E : sales@radix.co.in
 SENSORS T : + 91 22 26731826 x 732 F : + 91 22 66910029 E : sensors@radix.co.in
 GAUGES T : + 91 22 26731826 x 733 F : + 91 22 66910029 E : gauges@radix.co.in
 AUTOMATION C : 0-9322405471 C : 0-9324319150 E : automation@radix.co.in

SALES INQUIRIES

1800-22-radix
1800-22-7234

Radix Electrosystems Pvt Ltd, B-14, 2nd Floor, Ghanshyam Indl Estate, Veera Desai Road, Andheri (West), Mumbai - 400 053, India
 Tel : + 91 22 26730101 Fax : + 91 22 26731891 Email : sales@radix.co.in www.radix.co.in

www.radix.co.in