



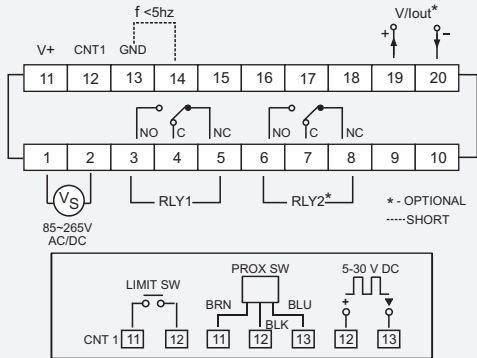
Ultra accurate : 0.05% of reading
Upto 2 alarms, independently programmable
Alarms can be disabled at power ON
Programmable setpoints, scale factor and relay modes
Application : RPH, RPM, RPS, Meters/Minute, Mains frequency, Zero speed switch, etc.
Measures upto 5 khz
Isolated programmable 4~20 mA retransmission output
Inputs : Proximity switch, voltage pulses, limit switches, electromagnetic pickup, etc.

SPECIFICATIONS

All specifications at ambient of 25 °C, unless specified otherwise

INPUTS		PROGRAMMABLE PARAMETERS	
Input types	a) Proximity switch, photo electric switch (+12 V DC provided) b) Limit switch, microswitch, etc. (potential free contact closure) c) Electromagnetic pickup - 3-wire, 2-wire (optional) d) Voltage pulses (5~30 V DC)	Scale factor	b.no x 10 ⁿ
Maximum input frequency Range	5 KHz	Base no (b.no)	4 digit : 0.001 to 9999 6 digit : 0.00001 to 999999
Accuracy	4 Digit 0.001 to 5000 RPS 0.06 to 9999 RPM 3.6 to 9999 RPH 6 Digit 0.001 to 5000 RPS 0.06 to 300000 RPM 3.6 to 999999 RPH ± 0.05% of reading, ± 2 counts typical	Exponent (n)	-5 to 2
Auto ranging	Automatic	Rate unit *	RPS (hz), RPM, RPH
Counting modes	Up (incrementing) Down (decrementing)	Minimum rate *	0.001 to 2 RPS (hz), 0.06 to 120 RPM, 3.6 to 7200 RPH * (RPS/RPM/RPH = Rate per second / minute / hour)
INDICATION		Maximum display resolution	0.001, 0.01, 0.1, 1
Upper display	4/6 digit, 7 segment 0.3" red LED display	Setpoint, Program,	ON/OFF
Lower display	4/6 digit, 7 segment 0.3" green LED display	OTHER	
Displayed Parameters		Keyboard	Tactile, 3 keys
Upper display	Rate	Enclosure construction	Plug-in (circuit removable without affecting terminal wiring)
Lower display	Setpoint1	Dimensions (in mm)	48(H) x 96(W) x 100(D)
OUTPUTS		Mounting	Panel mount
No. of relays	0, 1, 2	Panel cutout	44 x 92 mm
Relay contact type	NO-C-NC (RLY1) NO-C-NC (RLY2)	Supply voltage	85~265 V AC, 50/60 Hz
Relay contact rating	5A / 230V AC, resistive	Operating ambient temperature	0~50 °C
No. of analog outputs	1 (current or voltage)	Relative humidity	Below 90%, non condensing
Current output	4~20 mA / 0~20 mA / 20~4 mA / 20~0 mA, isolated from input		
Maximum load for current output	500 ohms		
Voltage output	0~10 V / user specified		
Load for voltage output	>10 Kohms		
Mutual Isolation between Input/Output/Supply	1 KV AC/1 Minute		

CONNECTION DIAGRAM



STK-281

ORDERING INFORMATION

2252 A

A	Configuration		
	4 Digit	6 Digit	4~20 mA output
00	✓	x	x
01	x	✓	x
02	✓	x	✓
03	x	✓	✓

Ordering Options

The following ordering options are available on request. Minimum order quantity and/or minimum order value may apply.

	Option	Details
1.	Electromagnetic pickup	3-wire
2.	Electromagnetic pickup	2-wire
3.	Analog output	0~10 V DC
4.	Supply voltage	20~35 V DC



INSTRUMENTS T : + 91 22 26730101 x 701 F : + 91 22 26731891 E : sales@radix.co.in
 SENSORS T : + 91 22 26731826 x 732 F : + 91 22 66910029 E : sensors@radix.co.in
 GAUGES T : + 91 22 26731826 x 733 F : + 91 22 66910029 E : gauges@radix.co.in
 AUTOMATION C : 0-9322405471 C : 0-9324319150 E : automation@radix.co.in

SALES INQUIRIES

1800-22-radix
1800-22-7234