

# COUNT TOTALISER WITH RATE INDICATOR ————— RCT301

VER 10.XX



0 - 999999 count range with absolute accuracy,  
 0 - 200 RPM with ultra accuracy of 0.05% of reading  
 Application : Totaliser, RPM, Meters/Minute, Mains  
 Frequency etc.  
 Isolated programmable retransmission output  
 Inputs : Proximity switch, voltage pulses, Limit switch, etc.

## SPECIFICATIONS All specifications at ambient of 25 C, unless specified otherwise

### INPUTS

**Input 1**  
**Input types** Count 1 input  
 a) Proximity switch, photo electric switch, electromagnetic pickup (+12 V DC provided)  
 b) Limit switch, microswitch, etc. (potential free contact closure)  
 c) Voltage pulses (5~30 V DC)  
**Range limits** Totaliser  
 0 to 999999  
 Rate  
 0-200 PPM/RPM  
**Accuracy** Rate : ± 0.05% of reading,  
 ± 2 counts typical  
**Control inputs** Gate & reset

### INDICATION

**Upper display** 6 digit, 7 segment 0.39" red LED display  
**Lower display** 6 digit, 7 segment 0.3" green LED display

**Displayed Parameters**  
**Upper display** Totaliser  
**Lower display** Rate

### MEMORY

Non volatile, indefinite retention

### OUTPUTS

**No. of analog outputs** 1 (current or voltage)  
**Current output** 4~20 mA / 0~20 mA / 20~4 mA / 20~0 mA isolated from input  
**Maximum load for current output** 500 Ohms  
**Voltage output** 0~10 V / user specified  
**Load for voltage output** >10 K ohms

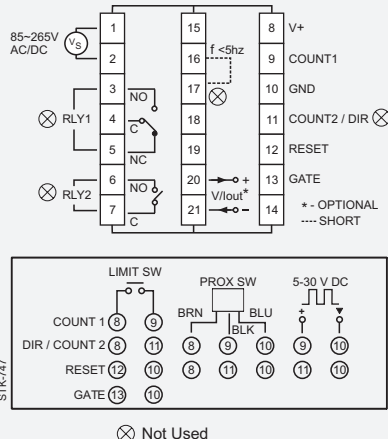
### PROGRAMMABLE PARAMETERS

**Diameter** Range 0.00001 to 999999 in meters  
**Pulse per revolution** Range 0 to 9999

### OTHER

**Keyboard** Tactile, 3 keys  
**Enclosure construction** Plug-in (circuit removable without affecting terminal wiring)  
**Dimensions (in mm)** 72(H) x 72(W) x 100(D)  
**Mounting** Panel mount  
**Panel cutout** 68 x 68 mm  
**Supply voltage** 85~265 V AC, 50/60 Hz  
**Operating ambient temperature** 0~50 °C  
**Relative humidity** Below 90%, non condensing

## CONNECTION DIAGRAM



## ORDERING INFORMATION

Order Code : 2226

## SALES INQUIRIES

**radix**  
 AN ISO 9001:2000 COMPANY

**1800-22-radix**  
**1800-22-7234**

[www.radix.co.in](http://www.radix.co.in)

CAT#330R0/P1/1/300609/A

**Radix Electrosystems Pvt Ltd**  
 B-14, 2nd Floor, Ghanshyam Indl Estate  
 Veera Desai Road, Andheri (W)  
 Mumbai - 400 053, India  
 Tel : + 91 22 26730101 Fax : + 91 22 26731891  
 Email : sales@radix.co.in www.radix.co.in

**BANGALORE** C : 0-9341063830  
**BARODA** C : 0-9376215882  
**CHANDIGARH** C : 0-9316460869  
**CHENNAI** C : 0-9381056345  
**CHHATISGARH** C : 0-9329418246  
**COIMBATORE** C : 0-9380284497  
**GOA** C : 0-9371439090

**GWALIOR** C : 0-9329126120  
**HP** C : 0-9316460869  
**HYDERABAD** C : 0-9391053480  
**INDORE** C : 0-9301995060  
**KARNATAKA** C : 0-9341063831  
**KERALA** C : 0-9341273814  
**NAGPUR** C : 0-9322245543

**NEW DELHI** C : 0-9312600076  
 T : 011-25786350  
**ORISSA** C : 0-9337002344  
**PUNE** C : 0-9371113404  
 T : 020-24479759  
**PUNJAB** C : 0-9316460869

