



- Ultra accuracy : 0.05% of reading
- Upto 2 alarms, independently programmable
- Alarms can be disabled at power ON
- Programmable setpoints, scale factor and relay modes
- Application : RPH, RPM, RPS, Meters/Minute, Mains frequency, Zero speed switch etc.
- Measures upto 3 khz
- Isolated programmable 4~20 mA retransmission output
- Inputs : Proximity switch, voltage pulses, limit switches, etc.

SPECIFICATIONS

All specifications at ambient of 25 °C, unless specified otherwise

INPUTS

Input types

- Proximity switch, photo electric switch, electromagnetic pickup (+12 V DC provided)
- Limit switch, microswitch, etc. (potential free contact closure)
- Voltage pulses (5~30 V DC)

Maximum input frequency Range

3 Khz
4 Digit
 0.001 to 5000 PPS/RPS
 0.06 to 9999 PPM/RPM
 3.6 to 9999 PPH/RPH

Accuracy

6 Digit
 0.001 to 5000 PPS/RPS
 0.06 to 300000 PPM/RPM
 3.6 to 999999 PPH/RPH
 $\pm 0.05\%$ of reading,
 ± 2 counts typical
 Automatic
 Up (incrementing)
 Down (decrementing)

Auto ranging Counting modes

INDICATION

Upper display

4/6 digit, 7 segment 0.39"
 red LED display

Lower display

4/6 digit, 7 segment 0.3"
 green LED display

Displayed Parameters
Upper display
Lower display

Rate
 Setpoint

OUTPUTS

No. of relays
Relay contact type

0, 1, 2
 NO-C-NC (RLY1)
 NO-C (RLY2)

Relay contact rating
No. of analog outputs
Current output

5A / 230V AC, resistive
 1 (current or voltage)
 4~20 mA / 0~20 mA / 20~4 mA /
 20~0 mA isolated from input
 500 ohms

Maximum load for current output

0~10 V / user specified
 >10 Kohms

Voltage output
Load for voltage output
Mutual Isolation between
Input/Output/Supply

1 KV AC/1 Minute

PROGRAMMABLE PARAMETERS

Scale factor

Base no (b.no)

b.no x 10ⁿ
 4 digit : 0.001 to 9999
 6 digit : 0.00001 to 999999

Exponent (n)

Rate unit *

-5 to 2
 PPS (hz) / RPS, PPM / RPM,
 PPH / RPH
 0.001 to 2 PPS (hz) / RPS, 0.06
 to 120 PPM / RPM, 3.6 to 7200
 PPH / RPH

Minimum rate *

0.001, 0.01, 0.1, 1
 ON/OFF

Maximum display resolution
Setpoint, Program,
Reset lock

* (PPS/PPM/PPH = pulses per
 second / minute / hour)

OTHER

Keyboard
Enclosure construction

Tactile, 3 keys
 Plug-in (circuit removable without
 affecting terminal wiring)

Dimensions (in mm)
Mounting

72(H) x 72(W) x 100(D)

Panel cutout

Panel mount

Supply voltage

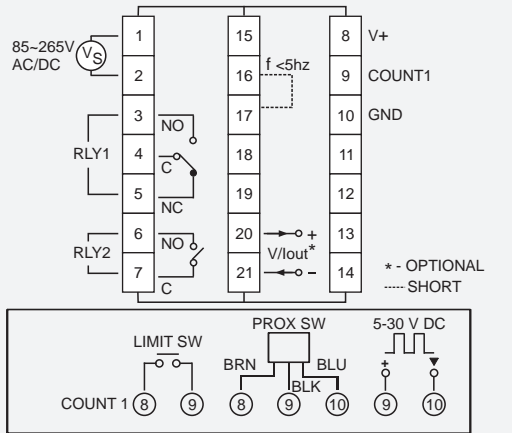
85~265 V AC/DC, 50/60 Hz

Operating ambient
temperature
Relative humidity

0~50 °C

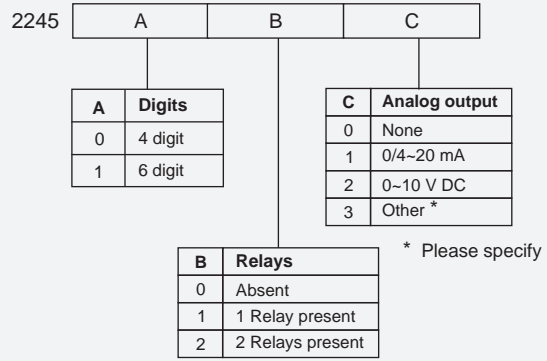
Below 90%, non condensing

CONNECTION DIAGRAM



STK-296

ORDERING INFORMATION



AN ISO 9001:2008 COMPANY

SALES INQUIRIES

1800-22-radix
1800-22-7234

www.radix.co.in

Radix Electrosystems Pvt Ltd
B-14, 2nd Floor, Ghanshyam Indl Estate
Veera Desai Road, Andheri (W)
Mumbai - 400 053, India
Tel : + 91 22 42537777 • Fax : + 91 22 42537700
Email : sales@radix.co.in • www.radix.co.in

BANGALORE C : 0-9341063830
BARODA C : 0-9376215882
CHANDIGARH C : 0-9316460869
CHENNAI C : 0-9381056345
CHHATISGARH C : 0-9329418246
COIMBATORE C : 0-9380284497
GOA C : 0-9371439090

GWALIOR C : 0-9329126120
HP C : 0-9316460869
HYDERABAD C : 0-9391053480
INDORE C : 0-9301995060
KARNATAKA C : 0-9341063831
KERALA C : 0-9341273814
NAGPUR C : 0-9322245543

NEW DELHI C : 0-9312600076
T : 011-25786350
ORISSA C : 0-9337002344
PUNE C : 0-9371113404
T : 020-24479759
PUNJAB C : 0-9316460869