

WITHOUT MEMORY, 12 TIMING FUNCTIONS, 4 FIXED/CONFIGURABLE CONTROL INPUTS



- 2-setpoint, dual display
- 9 user selectable ranges
- 10 milliseconds to 9999 hours
- 4 user selectable relay functions
- 3 user selectable modes
- Incrementing / decrementing display
- 4 control inputs
- Fixed/Configurable control inputs
- 0.01% quartz crystal accuracy
- Supply voltage : 85 ~ 265 V AC OR 24 V DC

**SPECIFICATIONS**

All specifications at ambient of 25 °C, unless specified otherwise

<b>Range</b>	See Table 3	<b>PROGRAMMABLE PARAMETERS</b>	
<b>Resolution</b>	See Table 3		<b>SP1</b>
<b>Accuracy</b>	± 0.01% of reading ± 0.2 second	<b>SP2</b>	0.01 to 9999
<b>Timing start delay (after application of power)</b>	0.05 Sec (max)	<b>Timer Start (After timer start)</b>	Power ON, Control input 1(Start)
<b>Memory</b>	Not provided	<b>Control input 1</b>	Refer Table 2 (For order code 2258-02)
<b>OUTPUTS</b>		<b>Control input 2</b>	Refer Table 2 (For order code 2258-02)
<b>No. of relays</b>	2	<b>Control input 3</b>	Refer Table 2 (For order code 2258-02)
<b>Relay contacts</b>	1 x NO-C-NC (RL1) 1 x NO-C (RL2)	<b>Control input 4</b>	Refer Table 2 (For order code 2258-02)
<b>Relay contact rating</b>	5A / 230V AC, resistive	<b>Units</b>	Seconds / Minutes / Hours
<b>Functions</b>	See Fig.1~6	<b>Resolution</b>	0.01, 0.1, 1
<b>Mutual isolation between Input/Output/Supply</b>	1500 V AC / 1 Minute	<b>Functions</b>	a) ON delay b) OFF delay c) Cyclic C1 (Relay ON at power ON) d) Cyclic C2 (Relay OFF at power ON) (See Fig 1,2)
<b>CONTROL INPUTS</b>		<b>Direction</b>	Up (incrementing) Down (decrementing)
<b>No. of control inputs</b>	4	<b>Mode</b>	Modes 0 ~ 2, See Fig 1 ~ 6
<b>Control input function configuration</b>	a) Fixed b) User configurable See Table 1, 2	<b>Relay2*</b>	ON / OFF
<b>Control input functions</b>	a) Fixed : See Table 1	<b>Reset lock (For front key reset)</b>	ON, OFF
<b>Assignment of control input functions to control inputs</b>	b) User configurable : i) Any control function can be assigned to any control input ii) One control function can be assigned to any one control input only (See Table 2)	<b>Program lock</b>	ON, OFF
<b>Front panel reset</b>	Will have the same function as reset function selected for control input	<b>OTHER</b>	
<b>POWER SUPPLY</b>		<b>Keyboard</b>	Tactile, 3 keys
<b>Supply voltage</b>	85~265 V AC OR 24 V DC	<b>Enclosure construction</b>	Plug-in (circuit removable without affecting terminal wiring)
<b>INDICATION</b>		<b>Dimensions (in mm)</b>	72(H) x 72(W) x 100(D)
<b>Display</b>	Upper : 4 digit, 7 segment 0.52" (13.2 mm) red LED display Lower : 4 digit, 7 segment 0.39" (9.9 mm) green LED display	<b>Mounting</b>	Panel mount
		<b>Panel cutout</b>	68 x 68 mm
		<b>Operating ambient temperature</b>	0~50 °C
		<b>Relative humidity</b>	Below 90%, non condensing

\* Available only when mode 0 is selected.

## OPERATING MODES

t1 = SETPOINT1    t2 = SETPOINT2     RELAY ON     RELAY OFF     SUPPLY ON     START PULSE

### MODE 0 - POWER ON START

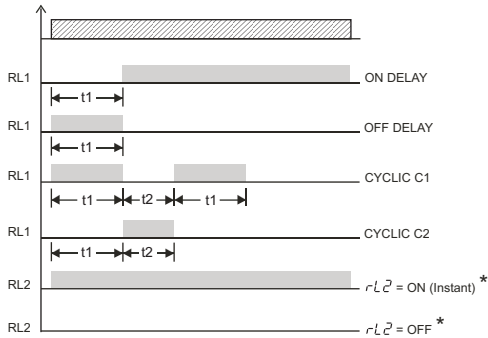


FIG 1

### MODE 0 - START PULSE

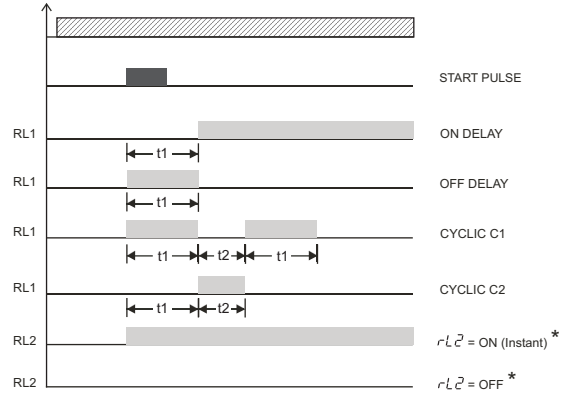


FIG 2

### MODE 1 - POWER ON START

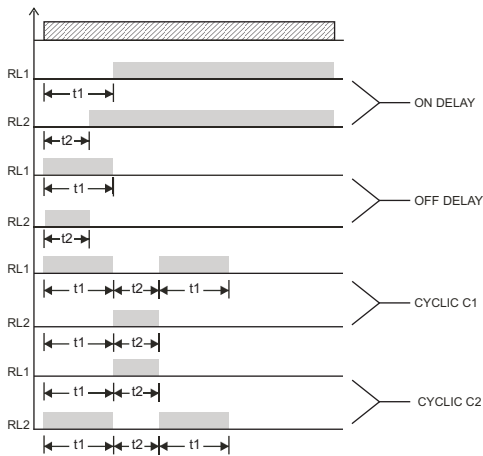


FIG 3

### MODE 1 - START PULSE

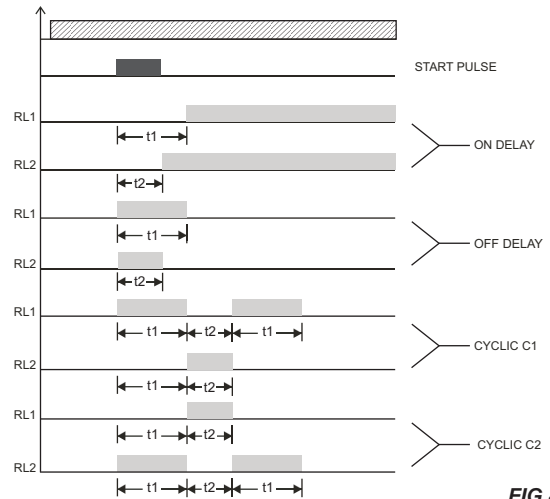


FIG 4

### MODE 2 - POWER ON START

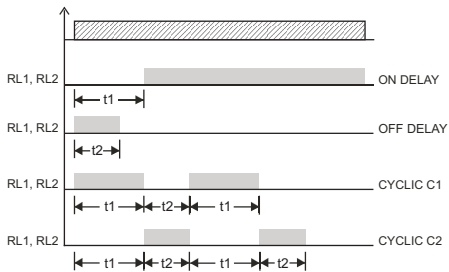


FIG 5

### MODE 2 - START PULSE

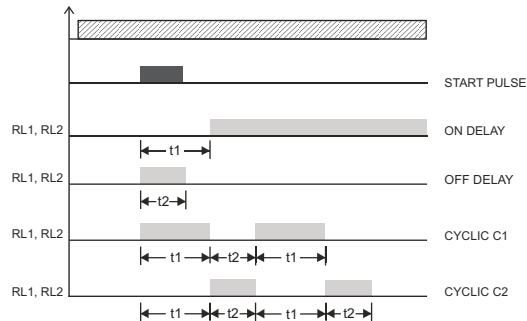


FIG 6

WITHOUT MEMORY, 12 TIMING FUNCTIONS, 4 FIXED/CONFIGURABLE CONTROL INPUTS

**TABLE 1 - FIXED CONTROL INPUTS (ORDER CODE : 2258-01)**

	CONTROL INPUT FUNCTION	DESCRIPTION		CONTROL INPUT FUNCTION	DESCRIPTION
1	Start	Start the timer	3	Gate	Freeze the timer as long as input is present & relay maintain status.
2	Reset	Timer is reset as long as input is present, timer starts when input is removed.	4	Stop	Stop the timer & relay turn OFF.

**TABLE 2 - CONFIGURABLE CONTROL INPUTS (ORDER CODE : 2258-02)**

	CONTROL INPUT FUNCTION	DESCRIPTION		CONTROL INPUT FUNCTION	DESCRIPTION
1	Start	Start the timer	6	Gate2	Freeze the timer as long as input is present & relay turn ON.
2	Reset1	Timer is reset as long as input is present, timer starts when input is removed.	7	Gate3	Freeze the timer as long as input is present & relay turn OFF.
3	Reset2	Pulse reset, reset the timer & start immediate.	8	Stop1	Stop the timer & relay maintain status.
4	Reset3	Reset the timer, start pulse is require to start the timer.	9	Stop2	Stop the timer & relay turn ON.
5	Gate1	Freeze the timer as long as input is present & relay maintain status.	10	Stop3	Stop the timer & relay turn OFF.

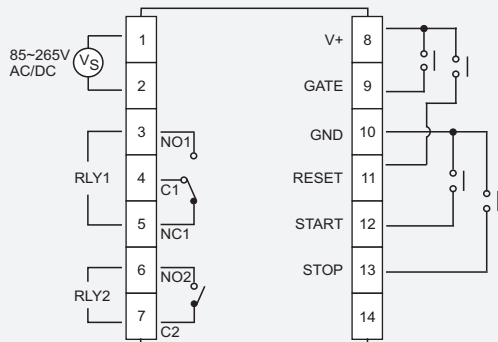
**TABLE 3 - RANGE SELECTION**

UNIT	RANGE	RESOLUTION
s	99.99 s	0.01 s
s	999.9 s	0.1 s
s	9999 s	1 s
m	99 m 59 s	1 s
m	999.9 m	0.1 m
m	9999 m	1 m
h	99 h 59 m	1 m
h	999.9 h	0.1 h
h	9999 h	1 h

WITHOUT MEMORY, 12 TIMING FUNCTIONS, 4 FIXED/CONFIGURABLE CONTROL INPUTS

## CONNECTION DIAGRAM

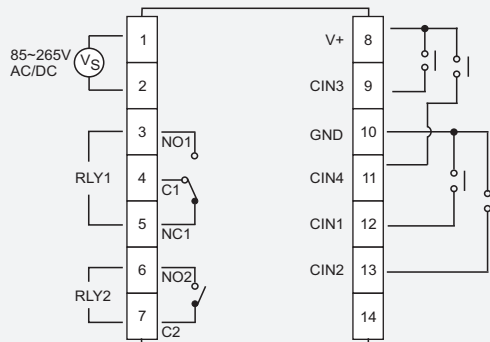
### FIXED INPUTS



STK-326

Order code : 2258-01

### CONFIGURABLE INPUTS



STK-320

Order code : 2258-02

## ORDERING INFORMATION

ORDER CODE	
2258	A

A	Control Inputs
01	Fixed
02	Configurable

### Ordering Options

The following ordering options are available on request. Minimum order quantity and/or minimum order value may apply.

	Option	Details
1.	Supply voltage	24 V DC
2.	Supply voltage	24 V AC

Product url : [www.radix.co.in/rct.htm](http://www.radix.co.in/rct.htm)

**radix**<sup>®</sup>  
AN ISO 9001:2008 COMPANY

INSTRUMENTS T : + 91 22 42537777 x 701 F : + 91 22 42537700 E : sales@radix.co.in  
SENSORS T : + 91 22 42537777 x 732 F : + 91 22 42537700 E : sensors@radix.co.in  
GAUGES T : + 91 22 42537777 x 733 F : + 91 22 42537700 E : gauges@radix.co.in  
AUTOMATION C : 0-9322405471 C : 0-9324319150 E : automation@radix.co.in

Radix Electrosystems Pvt Ltd, B-14, 2nd Floor, Ghanshyam Indl Estate, Veera Desai Road, Andheri (West), Mumbai - 400 053, India  
Tel : + 91 22 42537777 Fax : + 91 22 42537700 Email : sales@radix.co.in www.radix.co.in

[www.radix.co.in](http://www.radix.co.in)