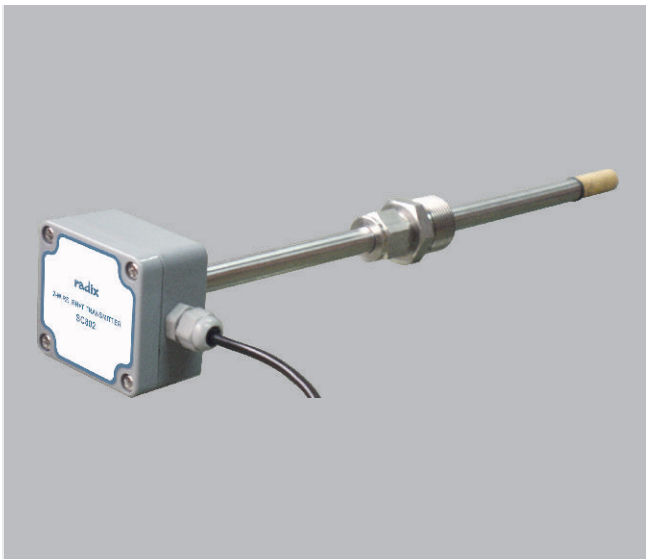


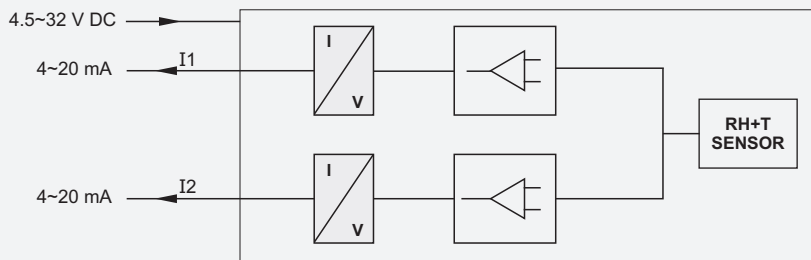
2 x 4~20 mA OUTPUTS, DUCT-MOUNT, IP65



- 2 x 4~20 mA outputs
- True 2-wire operation
- Accuracy : $\pm 2\% \text{RH}$, $\pm 0.3\text{ }^\circ\text{C}$
- Software calibration - no trimpots
- 4.5~32 V DC loop supply

SC802 is a microcontroller based, high performance 2-wire RH+T transmitter. It can be factory configured for 2 x RH outputs, 2 x Temperature outputs, or 1 x RH + 1 x T output. The heavy-duty metal tube construction and IP65 protection allows use in rough industrial environments. The loop drop of 4.5 V is the lowest amongst such products. The RH+T sensor is integrally fitted to enclosure.

CONNECTION DIAGRAM

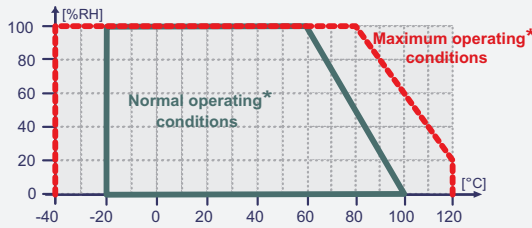


SPECIFICATIONS

All specifications at ambient of 25 °C, unless specified otherwise

INPUT	RH + T signals from integral sensor	Supply voltage effect	0.002% of span / V
Range limits		Supply ripple effect, 50/60 hz, 5 Vp - p	0.005% of span
Normal	0~100% RH, non-condensing	POWER SUPPLY	
Maximum	-20~100 °C (-4~212 °F) -40~120 °C (-40~248 °F) (See fig.1)	Supply voltage	4.5~32 V DC
Standard Calibration	0~100% RH :: 4~20 mA, 0~50 °C :: 4~20 mA For other calibration ranges eg. 25~95% RH & 0~75 °C please specify at the time of ordering	AMBIENT-TEMPERATURE, HUMIDITY	
MONITORING		Temperature, storage	-25 to +70 °C
Sensor break detection		Temperature, operation	-20 to +70 °C
Upscale current	~22 mA	Relative humidity	0 ~ 100% RH
Downscale current	~3.9 mA	MECHANICAL	
OUTPUTS		Dimensions	See fig. 3
Current output		Mounting	Duct mount
Output1	2-wire, 4~20 mA (RH or T)	Process Connection	½" BSP adjustable compression fitting
Output2	2-wire, 4~20 mA (RH or T)	Cable gland	PG7, suitable for cable dia 3 to 6.5 mm
Permissible load	800 @ 24 V DC, 20 mA (See fig.2)	MOC	
Current limit	~22 mA	Enclosure	ABS plastic
ACCURACY		Sensor tube	SS304
Linearity & calibration	2% RH, $\pm 0.5\text{ }^\circ\text{C}$	Filter	a) Sintered bronze, 60 m b) SS wiremesh, SS body c) SS wiremesh, nickel plated brass body
Temperature effect on accuracy	0.5% of span / 25 °C	Protection	IP65, except filter

Fig 1



* Normal operating conditions : RH+T limits for continuous safe use
 Maximum operating conditions : RH+T limits for use for short periods of time without damage

OUTPUT LOAD

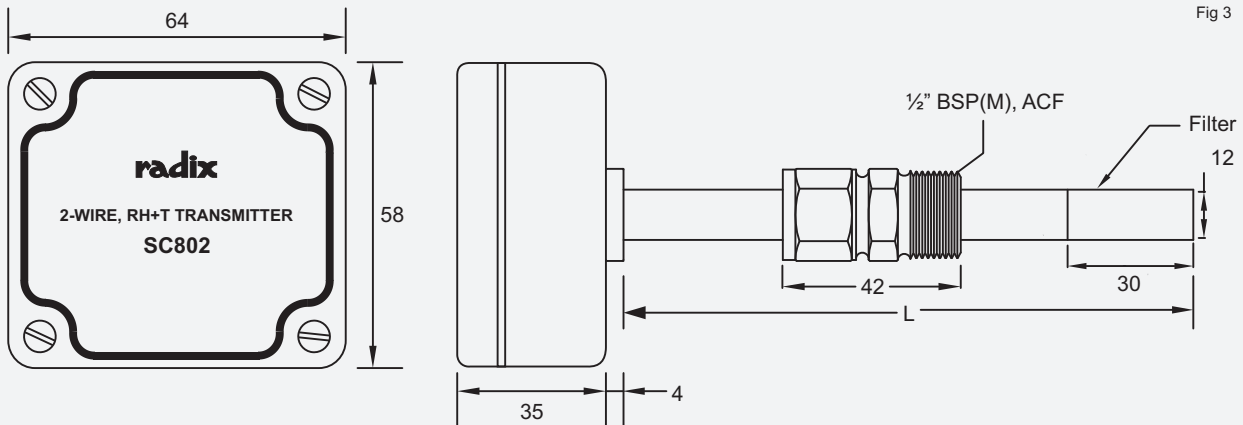
Fig 2



$R_{LOAD} = (U-4.5)/0.022$ Supply voltage U (VDC)

DIMENSIONAL DETAILS

Fig 3



ORDERING INFORMATION

SC802 will be supplied with the following standard specifications :

Range	% RH	0 ~ 100%
	T	0 ~ 50 °C
Immersion length	300 mm (See Fig 3)	
Filter	Sintered bronze	
Sensor break	> 20 mA	

ORDER CODE	
2222	A

A	Configuration	
	Output1 (RH)	Output2 (T)
00	1	1
01	1	0

Ordering Options

The following ordering options are available on request. Minimum order quantity and/or minimum order value may apply.

Option details	
1.	Customer specified immersion length
2.	Dual % RH outputs - 2 x 4 to 20 mA
3.	Customer specified RH and T ranges
4.	SS wiremesh filter

Product url : www.radix.co.in/rhtx.htm



INSTRUMENTS T : +91 22 42537777 x 701 F : +91 22 42537700 E : sales@radix.co.in
 SENSORS T : +91 22 42537777 x 732 F : +91 22 42537700 E : sensors@radix.co.in
 GAUGES T : +91 22 42537777 x 733 F : +91 22 42537700 E : gauges@radix.co.in
 AUTOMATION C : 0-9322405471 C : 0-9324319150 E : automation@radix.co.in

SALES INQUIRIES

1800-22-radix
 1800-22-7234