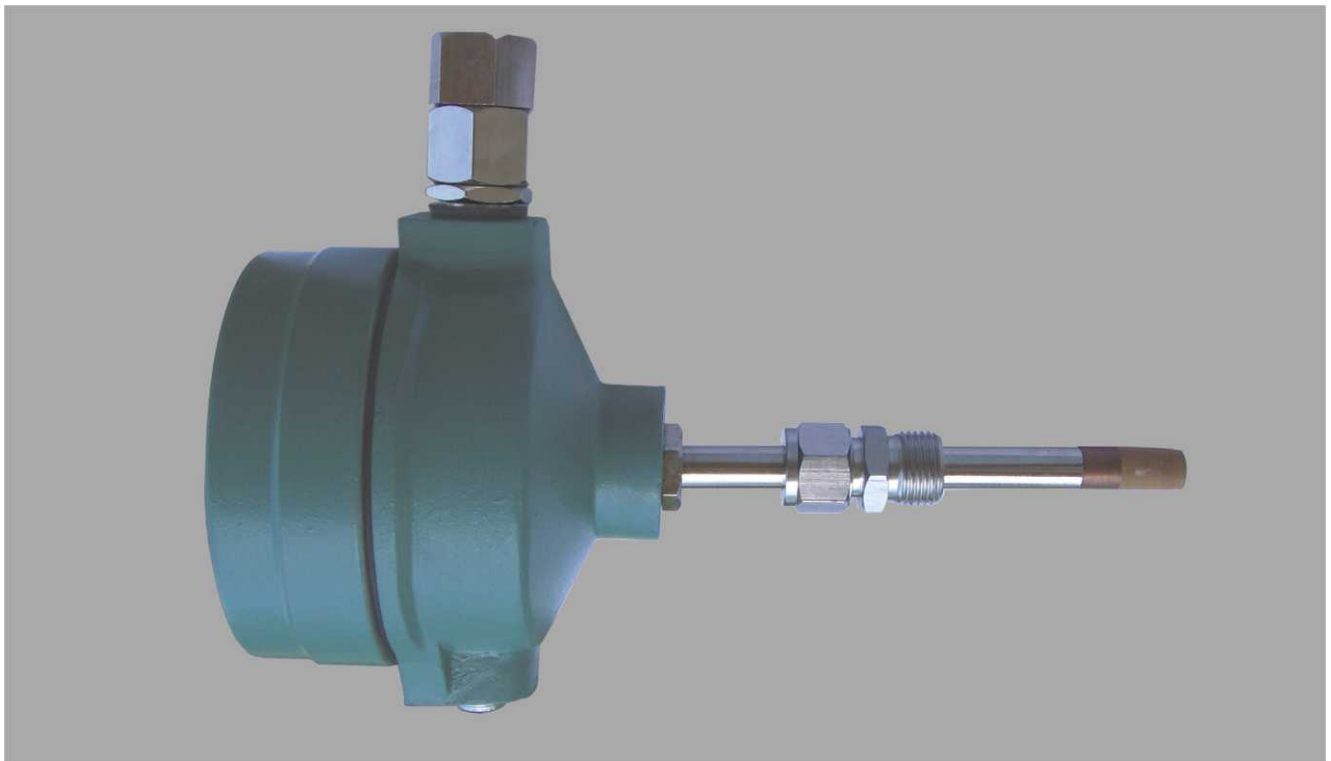


# 2-WIRE, DUCT MOUNT RH + TEMPERATURE TRANSMITTER — TX6HM

2 x ISOLATED 4~20 mA OUTPUTS



TX6HM is a microcontroller based user programmable high performance 2-wire RH+T transmitter. Its high reliability industrial design offers some unique functions.

TX6HM has an external dual 4-digit LCD module, which enhances utility greatly and also gives the user flexibility to program TX6HM for his application.

The RH+T sensor is integral fitted to enclosure.

2 x isolated 4~20 mA outputs

True 2-wire operation

Accuracy :  $\pm 3\% \text{RH}$ ,  $\pm 0.3\text{ }^\circ\text{C}$

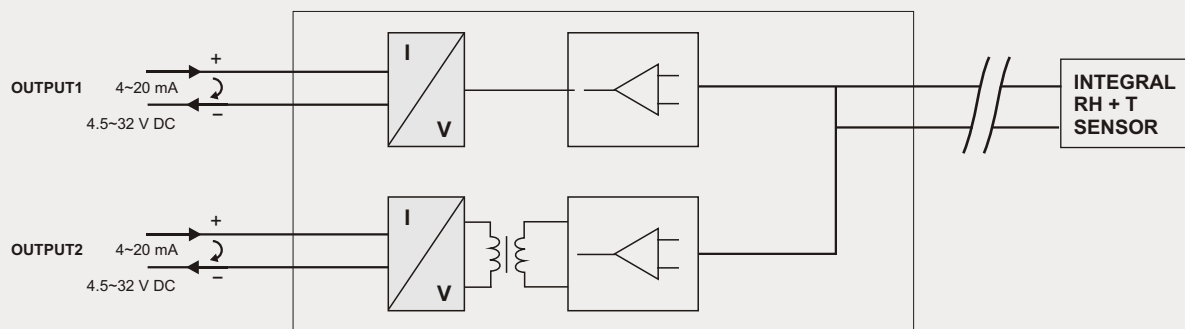
Software calibration - no trimpots

Upscale/downscale selection via external LCD module

4.5~32 V DC loop supply

4~20 mA or 20~4 mA selection

## CONNECTION DIAGRAM



# 2-WIRE, DUCT MOUNT RH + TEMPERATURE TRANSMITTER — TX6HM

2 x ISOLATED 4~20 mA OUTPUTS

## SPECIFICATIONS All specifications at ambient of 25 °C, unless specified otherwise

### INPUT

**Range**  
RH + T signals from integral sensor  
0~100% RH ,non-condensing  
-20~100 °C (-4 ~ 158 °F)  
See Fig. 1

**Standard Calibration**  
\*  
0~100% RH : : 4~20 mA,  
0~50 °C : : 4~20 mA  
For other calibration ranges  
eg. 25~95% RH & 0~75 °C  
please specify at the time of  
ordering

### Monitoring

**Sensor break detection**  
**Upscale current** 20~22 mA  
**Downscale current** 3.9 mA

### Outputs

**Current**  
**Output1** 2-wire, 4~20 mA (RH or T)  
**Output2** 2-wire, 4~20 mA (RH or T)  
**Permissible load** 800 @ 24 V DC, 20 mA  
**Current limit** 20~22 mA

### Accuracy

**Linearity & calibration** 3% RH, ± 0.5 °C  
**Temperature effect on accuracy** 0.5% of span / 25 °C  
**Supply voltage effect** 0.002% of span / V  
**Supply ripple effect, 50/60 hz, 5 Vp - p** 0.005% of span

### Power supply

**Supply voltage** 4.5~32 V DC

### Temperature, Humidity

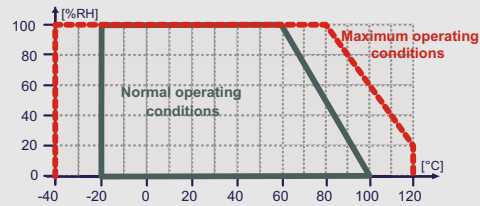
**Ambient, storage** -25 to +70 °C  
**Ambient, operation** -25 to +70 °C  
**Relative humidity** 0 ~ 100% RH

### Mechanical

**Dimensions** See fig. 2  
**Mounting** Duct mount  
**Process Connection** ½" BSP adjustable compression fitting

**MOC**  
**Sensor Head** LM6 Aluminium Alloy  
**Sensor Tube** SS316L  
**Filter** Sinter bronze, 60 m  
**Protection** IP66 (sensor head)

Fig. 1



## ORDERING INFORMATION

2185    A    B    C

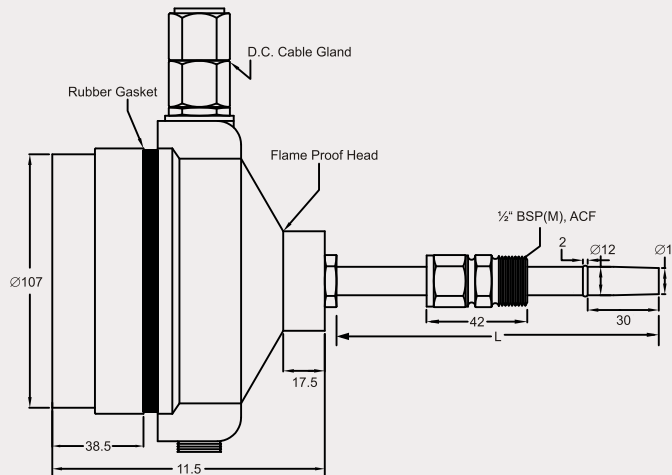
A	Range	C	Enclosure
0	0 ~100% RH	0	Standard
1	non standard*	1	flameproof

\* - Specify range for Humidity & Temperature

B	Immersion Length L in mm
0	150
1	250
2	400
3	500
4	600

## DIMENSION DETAILS OF TX6HM

Fig. 2



### SALES INQUIRIES

**radix**  
AN ISO 9001:2000 COMPANY

**1800-22-radix**  
**1800-22-7234**

[www.radix.co.in](http://www.radix.co.in)

Radix Electrosystems Pvt Ltd  
B-14, 2nd Floor, Ghanshyam Indl Estate  
Veera Desai Road, Andheri (W)  
Mumbai - 400 053, India  
Tel : + 91 22 26730101 Fax : + 91 22 26731891  
Email : sales@radix.co.in www.radix.co.in  
Exports email : exports@radix.co.in

BANGALORE C : 0-9341063830  
BARODA C : 0-9376215882  
CHANDIGARH C : 0-9313560869  
CHENNAI C : 0-9381056345  
CHHATISGARH C : 0-9337002344  
COIMBATORE C : 0-9380284497  
GOA C : 0-9371439090

GWALIOR C : 0-9322245543  
HP C : 0-9313560869  
HYDERABAD C : 0-9391053480  
INDORE C : 0-9301995060  
KARNATAKA C : 0-9341063831  
KERALA C : 0-9341273814  
NAGPUR C : 0-9322245543

NEW DELHI C : 0-9312600076  
T : 011-25786350  
ORISSA C : 0-9337002344  
PUNE C : 0-9371113404  
T : 020 24479759  
PUNJAB C : 0-9312600076