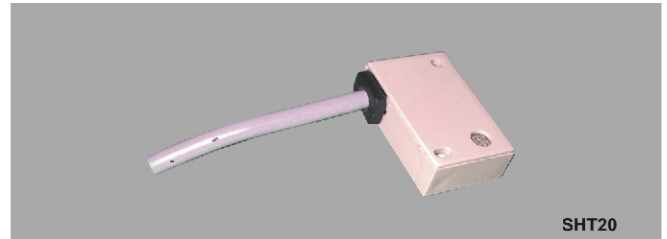


2-WIRE, PROGRAMMABLE RH + TEMPERATURE TRANSMITTER — TX7DR

2 x ISOLATED 4~20 mA OUTPUTS, DUAL LED DISPLAY



SHT20



SHT30



SHT40

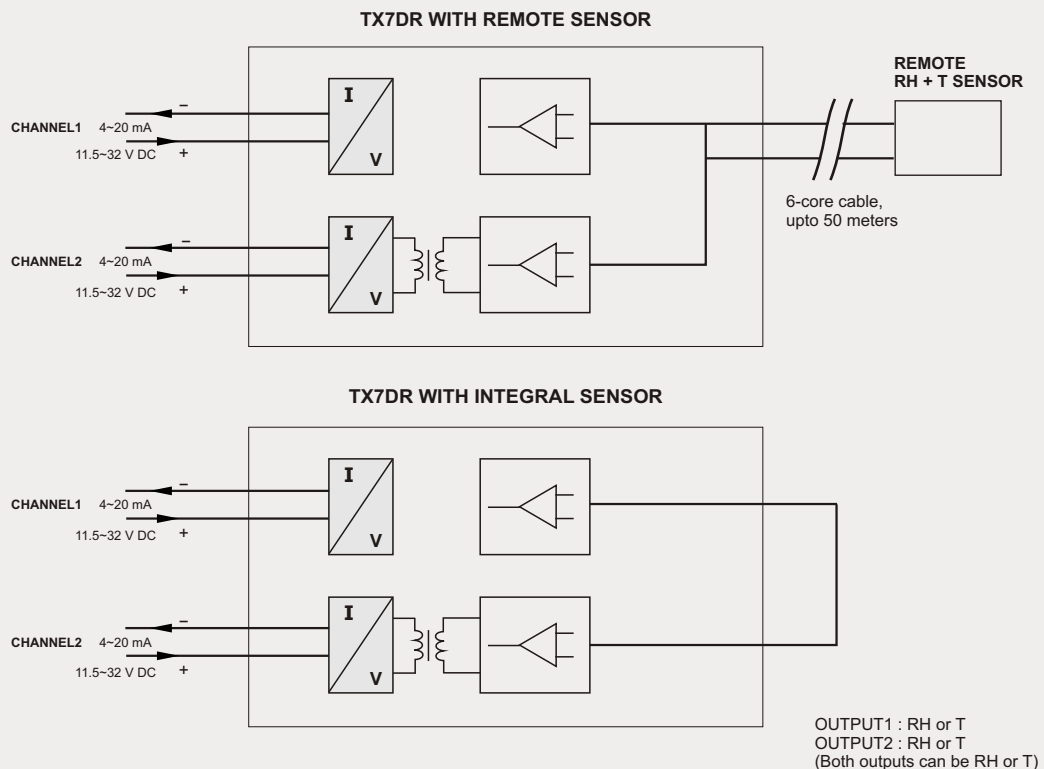
TX7DR is a microcontroller based user programmable high performance 2-wire RH+T transmitter. Its high reliability industrial design offers some unique functions.

TX7DR has an integral dual 4-digit LED display, which enhances utility greatly and also gives the user flexibility to program TX7DR for his application.

The RH+T sensor can be integral (inside/fitted to) enclosure, or remote (SHT20, etc).

- 2 x isolated 4~20 mA outputs
- True 2-wire operation
- Accuracy : $\pm 2\%$ RH, ± 0.3 °C
- Software calibration - no trim pots
- Upscale/downscale selection
- 11.5~32 V DC loop supply
- 4~20 mA or 20~4 mA selection
- Dual 4-digit LED display enhances utility

CONNECTION DIAGRAM



2-WIRE, PROGRAMMABLE RH + TEMPERATURE TRANSMITTER — TX7DR

2 x ISOLATED 4~20 mA OUTPUTS, DUAL LED DISPLAY

SPECIFICATIONS All specifications at ambient of 25 °C, unless specified otherwise

INPUT	RH + T signals from sensor		COMMUNICATION	Zero & span		Through tactile keys & display inside enclosure	
RANGE	See Fig1		TEMPERATURE, HUMIDITY	Ambient, storage		-25 to +70 °C	
Integral Sensor	0~100 %RH, non-condensing		Ambient, operation	-25 to +70 °C			
Remote Sensor	0~100 %RH		Relative humidity	0 ~ 100 % RH, non-condensing			
DISPLAY	4 digit, 7 - segment 0.56" (14.2 mm), red LED display		ENCLOSURE	Dimensions (in mm)		85(H) x 120(W) x 55(D)	
Resolution	0.1 or 1		Mounting	Field / wall mount			
SENSOR Mounting	Integral		Programming	Through tactile keys & display inside enclosure			
	a) Inside enclosure		Protection (instrument)				
	b) Outside enclosure		With integral sensor	a) Inside enclosure : IP20			
Distance between TX7DR & remote sensor	SHT20, SHT30, SHT40 < 50 metres		With remote sensor	b) Outside enclosure : IP65			
MONITORING	Sensor break detection		PROGRAMMABLE PARAMETERS	Output type		4~20 mA, 20~4 mA	
	Upscale current		Output assignment	RH, T			
	Downscale current		Preset output	20~22 mA			
OUTPUTS			Unit	°C, °F			
Current			Resolution	0.1, 1			
Output1	2-wire, 4~20 mA (RH or T)		Output	0~100% RH, 0 ~ 100 °C (0 ~ 212 °F)			
Output2	2-wire, 4~20 mA (RH or T)		Low scale	0~100% RH, 0 ~ 100 °C (0 ~ 212 °F)			
Permissible load	800 @ 24 V DC, 20 mA		Hi scale				
Current limit	20~22 mA						
ACCURACY							
Linearity & calibration	2% RH, 0.5 °C						
Temperature effect on accuracy	0.5% of span / 25 °C						
Supply voltage effect	0.002% of span / V						
Supply ripple effect, 50/60 hz, 5 Vp - p	0.005% of span						
POWER SUPPLY							
Supply voltage	11.5~32 V DC						

COMPATIBLE REMOTE SENSORS

SHT20	Wall mount, integral cable
SHT30	Wall mount, with connector
SHT40	Duct mount

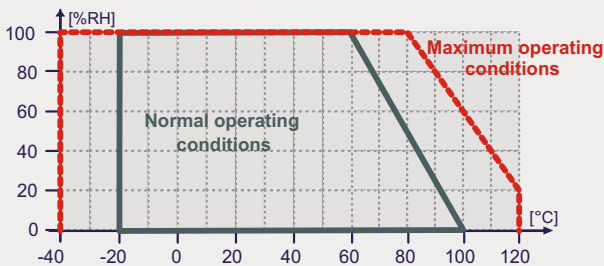


Fig1

ORDERING INFORMATION

2140		A	B
A	Sensor	B	Cable length for remote sensor
0	Without sensor	* 0	Not applicable
1	Integral - inside	1	5 metres
2	Integral - outside	2	10 metres
3	SHT20	3	15 metres
4	SHT40	4	25 metres
5	SHT30	5	35 metres
		6	50 metres

* B = 0 if A = 0, 1 or 2

radix
AN ISO 9001:2000 COMPANY

SALES INQUIRIES

1800-22-radix
1800-22-7234

www.radix.co.in

Radix Electrosystems Pvt Ltd
B-14, 2nd Floor, Ghanshyam Indl Estate
Veera Desai Road, Andheri (W)
Mumbai - 400 053, India
Tel : + 91 22 26730101 Fax : + 91 22 26731891
Email : sales@radix.co.in www.radix.co.in

BANGALORE C : 0-9341063830
BARODA C : 0-9376215882
CHANDIGARH C : 0-9316460869
CHENNAI C : 0-9381056345
CHHATISGARH C : 0-9329418246
COIMBATORE C : 0-9380284497
GOA C : 0-9371439090

GWALIOR C : 0-9329126120
HP C : 0-9316460869
HYDERABAD C : 0-9391053480
INDORE C : 0-9301995060
KARNATAKA C : 0-9341063831
KERALA C : 0-9341273814
NAGPUR C : 0-9322245543

NEW DELHI C : 0-9312600076
T : 011-25786350
ORISSA C : 0-9337002344
PUNE C : 0-9371113404
T : 020-24479759
PUNJAB C : 0-9316460869