



- Two universal inputs
- 0 / 1 / 2 / 3 / 4 setpoints corresponding to input 1, input 2
- Isolated 2 x 0/4~20 mA or 0-10 V DC retransmission outputs corresponding to input 1, input 2
- 24 V DC transmitter supply
- RS485 / MODBUS RTU
- 85~265 V AC SMPS
- ONOFF control

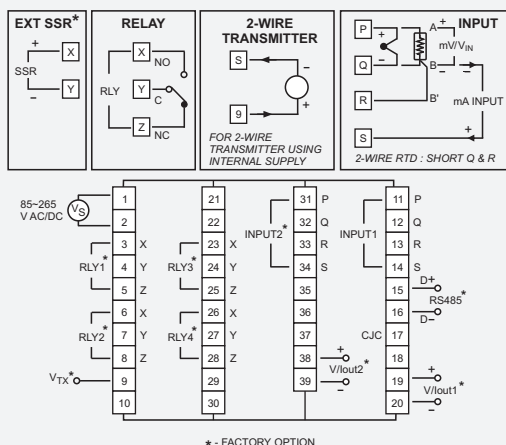
SPECIFICATIONS All specifications at ambient of 25 °C, unless specified otherwise

<p>INPUTS</p> <p>No. of inputs 2 (input 1, input 2)</p> <p>Input group 1 (common for both inputs)</p> <p>Thermocouple B, E, J, K, N, R, S, T</p> <p>RTD Pt100, 3-wire</p> <p>Voltage 0~50 mV</p> <p>Current 0~20 mA, 4~20 mA</p> <p>Input group 2 (common for both inputs)</p> <p>Thermocouple B, C, D, E, G, J, K, N, R, S, T</p> <p>RTD Pt100, 3-wire, Cu53</p> <p>Current 0~20 mA, 4~20 mA, Square root (for input 1)</p> <p>Voltage 0~50 mV</p> <p>Through DIP selection following voltage inputs are available : 0~1 V, 0~5 V, 0~10 V, 0~10 mV, 0~100 mV, 0~200 mV</p> <p>22 V nominal, 30 mA max</p> <p>Transmitter supply See Table 1</p> <p>Range limits See Table 1</p> <p>Accuracy Automatic</p> <p>Cold junction compensation User programmable</p> <p>Sensor break protection</p>		<p>PROGRAMMABLE PARAMETERS</p> <p>Setpoint Full range (See Table 1)</p> <p>Unit °C, °F, EU</p> <p>Resolution User selectable</p> <p>0.01, 0.1 or 1 for linear input, 0.1 or 1 for temperature</p> <p>High scale Full range (See Table 1)</p> <p>Low scale Full range (See Table 1)</p> <p>Digital filter A (minimum) ~ F (maximum)</p> <p>Hysteresis 0~25% span</p> <p>Bias (for process variable) -50 to 50% of range limit</p> <p>Relay logic a. Heat b. Cool c. Fullscale high alarm d. Full scale low alarm e. Deviation high alarm f. Deviation low alarm g. Inband alarm h. Outband alarm (e. to h. available for SP2, SP3, SP4 only)</p>	
<p>INDICATION</p> <p>Process variable Upper : 4 digit, 7 segment 0.56" (14.2 mm) red LED display</p> <p>Setpoint Lower : 4 digit, 7 segment 0.56" (14.2 mm) green LED display</p> <p>Status indication LEDs for relay status LEDs for setpoint indication LEDs for communication</p>		<p>Alarm types Self reset or latched and can be disabled at power on</p> <p>Alarm acknowledge Front panel function used to reset relay in alarm condition</p> <p>Setpoint lock ON, OFF</p> <p>Level lock ON, OFF</p> <p>Relay action Reverse / direct</p>	
<p>OUTPUTS</p> <p>No. of relays 0/ 1 / 2 / 3 / 4</p> <p>Relay contact type NO-C-NC</p> <p>Relay contact rating 5A / 230V AC, resistive</p> <p>SSR drive 12 V DC drive signal for external SSR</p> <p>No. of analog outputs 0 / 1 / 2 (current or voltage)</p> <p>Current output 4~20 mA / 0~20 mA / 20~4 mA / 20~0 mA isolated from input</p> <p>Maximum load for current output 500 ohms</p> <p>Voltage output 0~10 V / user specified</p> <p>Load for voltage output >10 Kohms</p>		<p>OTHER</p> <p>Programming Through 3 tactile keys</p> <p>Dimensions (in mm) 96(H) x 96(W) x 100(D)</p> <p>Mounting Panel mount</p> <p>Panel cutout 92 x 92 mm</p> <p>Supply voltage a) 85~265 V AC, 50/60 Hz b) 20~35 V DC (optional)</p> <p>Power consumption 4 watts maximum</p> <p>Operating ambient temperature 0~50 °C</p> <p>Relative humidity Below 90%, non condensing</p>	
<p>COMMUNICATION</p> <p>Port RS485</p> <p>Protocol Modbus RTU</p> <p>Slave ID User programmable (1~256)</p>			

TABLE 1

SENSOR / INPUT	RANGE LIMITS (°C / EU)		RANGE IN WHICH ACCURACY IS SPECIFIED		TYPICAL ACCURACY AT 30 °C (°C / EU)	WORST CASE ACCURACY (°C / EU)
	LOW SCALE	HIGH SCALE	LOW SCALE	HIGH SCALE		
Input Group 1						
Pt - 6% Rh / Pt - 30% Rh (B)	400	1820	400	1820	± 3	± 5
Chromel / Constantan (E)	-270	850	0	850	± 1	± 3
Iron / Constantan (J)	-210	760	0	760	± 1	± 3
Chromel / Alumel (K)	-270	1372	-50	1200	± 1	± 3
Nicrosil / Nisil (N)	-270	1300	-50	1200	± 1	± 3
Pt / Pt - 13% Rh (R)	0	1760	400	1760	± 2	± 5
Pt / Pt - 10% Rh (S)	0	1760	400	1760	± 2	± 5
Copper / Constantan (T)	-270	400	-200	400	± 1	± 3
Pt100, 3-wire	-200	850	-200	600	± 0.3	± 1.0
Linear (0~50 mV, 0~20 mA, 4~20 mA)	-1999	9999	-1999	9999	± 5 EU	± 20 EU
Input Group 2						
The following inputs are available in Input Group 2 in addition to inputs of Input Group 1.						
Tungsten - 5% Rh / Tungsten - 26% Rh (C)	0	2320	0	2320	± 3	± 5
Tungsten - 3% Rh / Tungsten - 25% Rh (D)	0	2310	0	2310	± 3	± 5
Tungsten / Tungsten - 26% Rh (G)	0	2310	0	2310	± 3	± 5
Cu53	0	180	0	180	± 0.3	± 0.5
Linear (0~10 mV, 0~100 mV, 0~200 mV, 0~1 V, 0~5 V, 0~10 V)	-1999	9999	-1999	9999	± 5 EU	± 20 EU
Linear (4~20 mA) with square root	0	9999	0	9999	± 10 EU	± 40 EU

CONNECTION DIAGRAM



STK-711

ORDERING INFORMATION

ORDER CODE	
2210	A

A	Configuration			
	No. of inputs	Relay	RS485	4~20 mA output
00	1	0	0	0
01	1	0	0	1
02	1	0	0	2
03	1	0	1	0
04	1	2	0	0
05	1	2	0	1
06	1	4	0	0
07	2	0	0	0
08	2	0	0	2
09	2	2	0	2
10	2	4	0	0
11	2	4	0	2
12	2	4	1	0

Ordering Options

The following ordering options are available on request. Minimum order quantity and/or minimum order value may apply.

Option	Details
1. Analog output	0~10 V DC
2. Supply voltage	24 V DC
3. Input type	Group 2



INSTRUMENTS T : + 91 22 42537777 x 701 F : + 91 22 42537700 E : sales@radix.co.in
SENSORS T : + 91 22 42537777 x 732 F : + 91 22 42537700 E : sensors@radix.co.in
GAUGES T : + 91 22 42537777 x 733 F : + 91 22 42537700 E : gauges@radix.co.in
AUTOMATION T : C : 0-9322405471 C : 0-9324319150 E : automation@radix.co.in

SALES INQUIRIES

1800-22-radix
1800-22-7234