

6-DIGIT RATE INDICATOR, 8-DIGIT TOTALISER

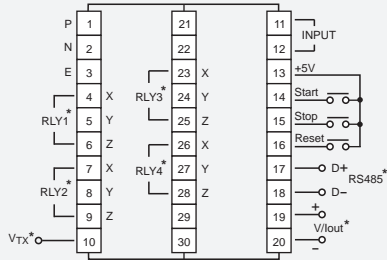
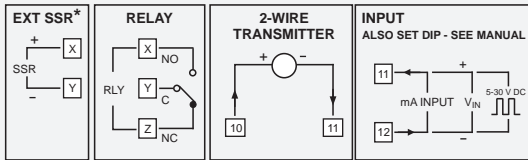


- 6 digit flow rate indicator, 8 digit flow totaliser
- Inputs : 0~20 mA, 4~20 mA, 0~5 volts, 1~5 volts, 0~10 volts, 0~10 khz
- Two batch relays, two flow alarm relays
- Programmable flow rate, setpoints and relay modes, etc.
- Application : Monitoring and controlling continuous as well as batch flow processes
- Isolated programmable 4~20 mA retransmission output
- RS 485 / MODBUS
- Password protected programming and reset
- Programmable start, stop, reset functions

SPECIFICATIONS All specifications at ambient of 25 °C, unless specified otherwise

<p>INPUT</p> <p>Input</p> <p>Transmitter supply</p> <p>Accuracy</p> <p>Flow rate range</p> <p>Flow totaliser range</p> <p>Memory</p> <p>INDICATION</p> <p>Flow rate</p> <p>Totaliser</p> <p>Status indication</p> <p>VIEW MODE</p> <p>Integrated totaliser</p> <p>Roll over count of Integrated totaliser</p> <p>Peak</p> <p>Valley</p> <p>OUTPUTS</p> <p>No. of relays</p> <p>Relay contact type</p> <p>Relay contact rating</p> <p>No. of analog outputs</p> <p>Current output</p> <p>Maximum load for current output</p> <p>Voltage output</p> <p>Load for voltage output</p> <p>Mutual isolation between input/output/supply</p>	<p>0-20 mA, 4~20 mA, 0~5 V, 1~5 V, 0~10 V, 0~10 kHz (user selectable by DIP & programming)</p> <p>22 V nominal, 30 mA max</p> <p>0.1% of span typical, 0.2% of span maximum</p> <p>0.00001 to 999999 EU</p> <p>0 to 99999999</p> <p>Non volatile, indefinite retention</p> <p>Upper : 6 digit, 7 segment 0.56" (14.2 mm) red LED display</p> <p>Lower : 8 digit, 7 segment 0.3" (7.62 mm) green LED display</p> <p>LEDs for relay status LEDs for flow rate unit LEDs for communication</p> <p>0 to 99999999</p> <p>10⁶</p> <p>Maximum flowrate after power on / reset</p> <p>Minimum flowrate after power on / reset</p> <p>0 / 2 for flow rate alarm 0 / 2 for totaliser</p> <p>NO-C-NC</p> <p>5A / 230V AC, resistive</p> <p>0 / 1 (current or voltage)</p> <p>4~20 mA / 0~20 mA / 20~4 mA / 20~0 mA isolated from input</p> <p>500 ohms</p> <p>0~10 V or user specified</p> <p>>10 Kohms</p> <p>1KV AC RMS/1 minute, 250 V AC RMS continuous</p>	<p>COMMUNICATION</p> <p>Port</p> <p>Protocol</p> <p>Slave ID</p> <p>PROGRAMMABLE PARAMETERS</p> <p>Input type</p> <p>Input mode</p> <p>Setpoints</p> <p>Resolution</p> <p>Flow rate</p> <p>Totaliser</p> <p>High scale for flow rate</p> <p>Low scale for flow rate</p> <p>Digital filter</p> <p>Time base unit</p> <p>Hysteresis for flow rate alarms</p> <p>Flow rate alarm logic</p> <p>Flow rate alarm type</p> <p>Alarm acknowledge</p> <p>Offset (for SP3, SP4)</p> <p>Relay logic for totaliser</p> <p>Auto reset time</p> <p>Setpoint lock</p> <p>Program lock</p> <p>Relay action</p> <p>Conversion factor</p> <p>Start, stop and reset functions</p> <p>OTHER</p> <p>Programming</p> <p>Enclosure construction</p> <p>Dimensions (in mm)</p> <p>Mounting</p> <p>Panel cutout</p> <p>Supply voltage</p> <p>Power consumption</p> <p>Operating ambient temperature</p> <p>Relative humidity</p>	<p>RS485</p> <p>Modbus RTU</p> <p>User programmable (1~256)</p> <p>User selectable (DIP also to be set)</p> <p>Linear, Square root</p> <p>For flow rate (SP1, SP2) : 0 to 999999</p> <p>For totaliser (SP3, SP4) : 0 to 99999999</p> <p>0.00001 to 1</p> <p>0.0000001 to 1</p> <p>0.1 to 999999</p> <p>0 to 999999</p> <p>A(minimum) ~ F(maximum)</p> <p>Second, minute, hour, day</p> <p>0.001 to 9999</p> <p>Full scale high, Full scale low, Deviation high, Deviation low, band in, band out</p> <p>Self reset or latched, enabled/disabled at power on</p> <p>Front panel function used to reset relay in alarm condition</p> <p>0 to 9999</p> <p>Latched mode, Autoreset mode</p> <p>0.1 to 99.9 seconds</p> <p>On, Off</p> <p>On, Off</p> <p>Reverse/Direct</p> <p>0.01 to 9999.99</p> <p>Programmable</p> <p>Through 4 tactile keys</p> <p>Plug-in</p> <p>96(H) x 96(W) x 100(D)</p> <p>Panel mount</p> <p>92 x 92 mm</p> <p>a) 85~265 V AC, 50/60 Hz</p> <p>b) 20~35 V DC</p> <p>4 watts maximum</p> <p>0~50 °C</p> <p>Below 90%, non condensing</p>
--	--	--	---

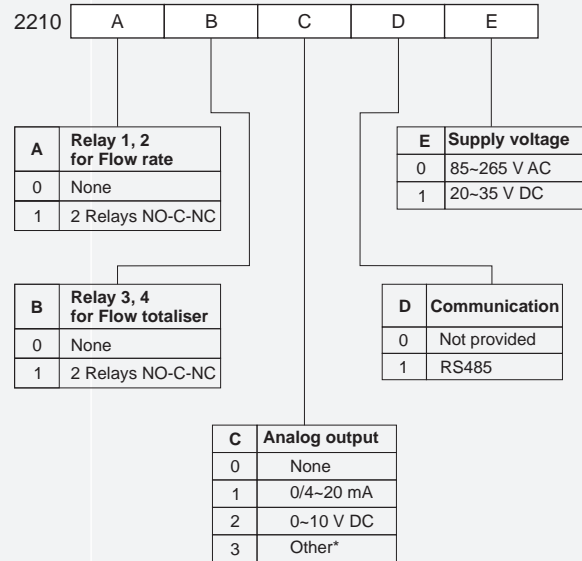
CONNECTION DIAGRAM



* - FACTORY OPTION

STK-779

ORDERING INFORMATION



* Please specify

ALSO AVAILABLE : FLOTO46



- 4 digit flow rate indicator, 6 digit flow totaliser
- Inputs : 0~20 mA, 4~20 mA, 0~5 volts, 1~5 volts, 0~10 volts, 0~10 khz
- Two batch relays, two flow alarm relays
- Programmable flow rate, setpoints and relay modes, etc.
- Application : Monitoring and controlling continuous as well as batch flow processes
- Isolated programmable 4~20 mA retransmission output
- RS 485 / MODBUS
- Password protected programming and reset
- Programmable start, stop, reset functions

radix
AN ISO 9001:2008 COMPANY

SALES INQUIRIES

1800-22-radix
1800-22-7234

www.radix.co.in

Radix Electrosystems Pvt Ltd
B-14, 2nd Floor, Ghanshyam Indl Estate
Veera Desai Road, Andheri (W)
Mumbai - 400 053, India
Tel : + 91 22 26730101 • Fax : + 91 22 26731891
Email : sales@radix.co.in • www.radix.co.in
Exports email : exports@radix.co.in

BANGALORE C : 0-9341063830
BARODA C : 0-9376215882
CHANDIGARH C : 0-9316460869
CHENNAI C : 0-9381056345
CHHATISGARH C : 0-9329418246
COIMBATORE C : 0-9380284497
GOA C : 0-9371439090

GWALIOR C : 0-9301995060
HP C : 0-9316460869
HYDERABAD C : 0-9391053480
INDORE C : 0-9301995060
KARNATAKA C : 0-9341063830
KERALA C : 0-9349342306
NAGPUR C : 0-9322245543

NEW DELHI C : 0-9312600076
T : 011-25786350
ORISSA C : 0-9337002344
PUNE C : 0-9371113404
T : 020-24479759
PUNJAB C : 0-9316460869