

# PRESET COUNTERS, TOTALISER — RCT401, RCT403, RCT404



RCT401



RCT403



RCT404

- 0.000-999999 count range with absolute accuracy
- Upto 2 user programmable setpoints / relays
- Programmable scale factor and relay modes
- Applications : Event counter, totaliser, length counter, etc.
- Count speed upto 5 KHz
- Inputs : Proximity switch, voltage pulses, limit switch, etc.
- Counting modes : Up, down, bi-directional, quadrature

**TABLE 1**

MODEL	DESCRIPTION	DISPLAY	NO. OF DIGITS	NO. OF SETPOINTS	NO. OF RELAYS	SETPOINT SETTING
RCT401	Preset Counter, Totaliser	6-digit 7-segment 0.39" red LED display	6	2	0, 2	3-key programming
RCT403	Preset Counter	6-digit 7-segment 0.39" red LED display	6	1	2*	6-digit pushwheel switches
RCT404	Preset Counter	4-digit 7-segment 0.39" red LED display	4	1	2*	4-digit pushwheel switches

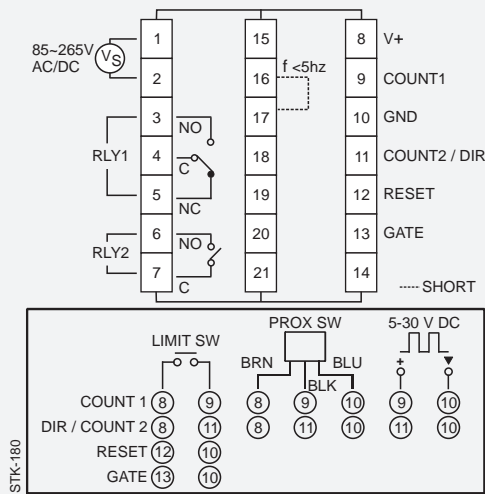
\* Both Relays will operate for SP1

## SPECIFICATIONS All specifications at ambient of 25 °C, unless specified otherwise

<b>INPUTS</b> <b>Input 1</b> <b>Input 2</b> <b>Input types</b>  <b>Maximum input frequency</b> <b>Accuracy</b> <b>Counting modes</b>  <b>Control inputs</b>  <b>MEMORY</b>  <b>OUTPUTS</b> <b>No. of setpoints</b> <b>No. of relays</b> <b>Relay contact type</b>  <b>Relay contact rating</b> <b>Mutual Isolation between Input/Output/Supply</b>	Count 1 input Count 2 input / Direction a) Proximity switch, photo electric switch, electromagnetic pickup (+12 V DC provided) b) Limit switch, microswitch, etc. (potential free contact closure) c) Voltage pulses (5-30 V DC) 5 KHz Absolute Up (incrementing) Down (decrementing) Bi-directional Quadrature Gate & reset  Non-volatile, indefinite retention  See Table 1 See Table 1 NO-C-NC (RLY1) NO-C (RLY2) 5A / 230V AC, resistive 1 KV AC/1 Minute	<b>PROGRAMMABLE PARAMETERS</b> <b>Relay modes</b>  <b>Relay time</b> <b>Scale factor</b> <b>Base no (b.no)</b> <b>Exponent (n)</b> <b>Reset</b> <b>Resolution</b>  <b>OTHER</b> <b>Keyboard</b> <b>Enclosure construction</b>  <b>Dimensions (in mm)</b> <b>Mounting</b> <b>Panel cutout</b> <b>Supply voltage</b> <b>Operating ambient temperature</b> <b>Relative humidity</b>	Latched ON, OFF at SP Latched OFF, ON at SP Time Pulse Repeat Auto-reset 0.1 to 99.9 seconds b.no x 10 <sup>n</sup> 0.00001 to 999999 -5 to 2 Front panel or remote 1/0.1/0.01/0.001  Tactile, 3 keys Plug-in (circuit removable without affecting terminal wiring) 72(H) x 72(W) x 100(D) Panel mount 68 x 68 mm 85-265 V AC, 50/60 Hz 0-50 °C  Below 90%, non condensing
---	---	---	---

# PRESET COUNTERS, TOTALISER — RCT401, RCT403, RCT404

## CONNECTION DIAGRAM



## ORDERING INFORMATION

### RCT401



A	Relay 1,2
0	Absent
1	Present

B	Supply voltage
0	85-265 V AC

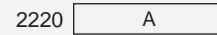
# If A=0 i.e. for totaliser, B=1 only

### RCT403



A	Supply voltage
0	85-265 V AC

### RCT404



A	Supply voltage
0	85-265 V AC

## OTHER PRODUCTS

PROGRAMMABLE RPM/RATE INDICATOR  
48x96x100 **RCT302**



PRESET COUNTER WITH RPM/RATE INDICATOR  
48x96x100 **RCT205**



RPM/RATE INDICATOR WITH ALARMS • RCT206  
48x96x100



RPM/RATE INDICATOR WITH ALARMS • RCT303  
72x72x100



MULTIFUNCTION MEMORY TIMER • RCT605  
72x72x100



MULTIFUNCTION MEMORY TIMER • RCT606  
72x72x100



Product url : [www.radix.co.in/rct.htm](http://www.radix.co.in/rct.htm)

**radix**<sup>®</sup>  
AN ISO 9001:2008 COMPANY

SALES INQUIRIES

**1800 -22 -radix**  
**1800 -22 -7234**

[www.radix.co.in](http://www.radix.co.in)

Radix Electrosystems Pvt Ltd  
B-14, 2nd Floor, Ghanshyam Indl Estate  
Veera Desai Road, Andheri (W)  
Mumbai - 400053, India  
Tel : + 91 22 26730101 / 42537777  
Fax : + 91 22 26731891 / 42537700  
Email : sales@radix.co.in • www.radix.co.in

BANGALORE C : 0-9341063830  
BARODA C : 0-9376215882  
CHANDIGARH C : 0-9316460869  
CHENNAI C : 0-9381056345  
CHHATISGARH C : 0-9337002344  
COIMBATORE C : 0-9380284497  
GANDHIDHAM C : 0-9377546388

GOA C : 0-9371439090  
GWALIOR C : 0-9301995060  
HP C : 0-9316460869  
HYDERABAD C : 0-9391053480  
INDORE C : 0-9301995060  
KARNATAKA C : 0-9341063830  
KERALA C : 0-9349342306

NAGPUR C : 0-9322245543  
NEW DELHI C : 0-9312600076  
T : 011-25786350  
ORISSA C : 0-9337002344  
PUNE C : 0-9371113404  
T : 020-24479759  
PUNJAB C : 0-9316460869