

### INDUSTRIAL AND PROCESS APPLICATIONS

#### MODEL : CCC200 SERIES

Designed for very low pressure measurement of non-corrosive gases, commercial heating, gas distribution and filtration system.

#### FEATURES

- Element made of Brass or SS304 capsule
- Whether proof to IP68 per IS/IEC 60529:2001
- Scale ranges upto 0...600mbar

#### DESIGN

EN837-1

#### NOMINAL DIAL SIZE

NS 63, 100 & 150mm

#### ACCURACY (AS PER EN837-1)

1.6% of FSD

#### SCALE RANGES

**NS 63, 100 & 150mm**

0...25 / 40 / 60 / 100 / 160 / 250 / 400 / 600mbar  
or other equivalent units of pressure

#### WORKING PRESSURE

Steady : 90% of FSD  
Fluctuating : 66% of FSD  
Short Time : FSD

#### OPERATING TEMPERATURE

Ambient : -20 to 60°C  
Medium : 100°C max.

#### TEMPERATURE EFFECT

When temperature of the pressure element deviates from reference temperature (+30°C) : Max.  $\pm 0.6\%$  / 10K of true scale value

#### PRESSURE ELEMENT

Compact capsule, Copper alloy / Stainless steel 316

#### DIAL

Off-white aluminum with black / red lettering

#### POINTER

Black aluminum, Fixed



#### CASE & BEZEL

SS304, Bayonet type

#### INGRESS PROTECTION

IP68 as per IS/IEC 60529:2001

#### WINDOW

**NS 63mm**  
Instrument glass  
**NS 100 & 150mm**  
Toughened glass

#### PROCESS CONNECTION

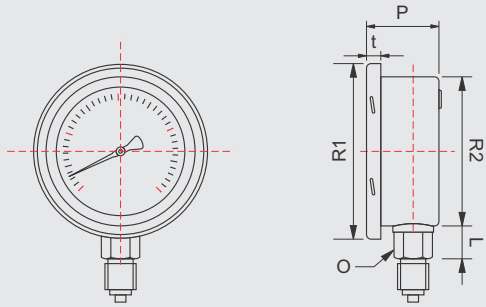
Material : Copper alloy / SS316L / SS304  
Standard Threads  
63mm : 1/4" BSP/NPT  
100 & 150mm : 3/8" or 1/2" BSP/NPT

#### MOUNTING

**NS 63mm**  
Direct Bottom (20)  
Back Panel Mount, Centric with Panel (70)  
Back Direct Entry, Centric (80)  
Back Direct Entry, Centric with Bracket (84)  
**NS 100 & 150mm**  
Direct Bottom (20)  
Back Eccentric Mount (30)  
Flush Panel with Bracket (40)  
Back Mount with Panel (50)  
Surface Mount (60)  
Flush Mount Bottom Entry with Bracket (90)

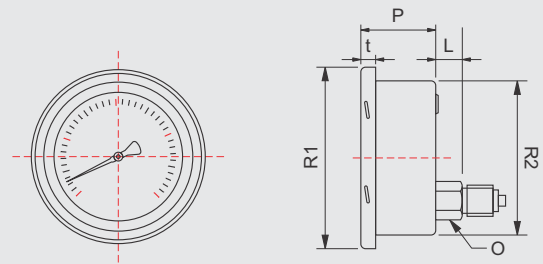
**DIRECT BOTTOM**

20



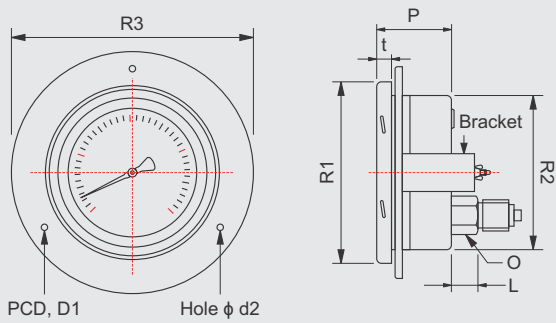
**BACK ECCENTRIC MOUNT**

30



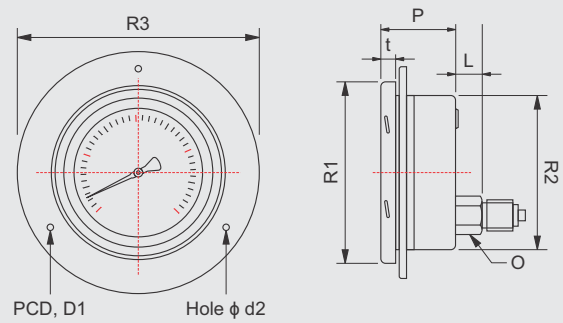
**FLUSH PANEL WITH BRACKET**

40



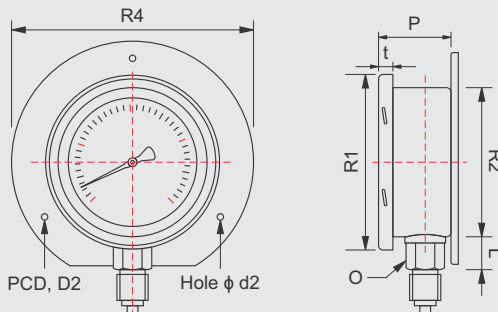
**BACK MOUNT WITH PANEL**

50



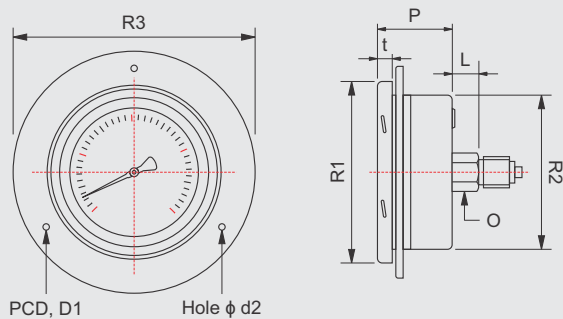
**SURFACE MOUNT**

60



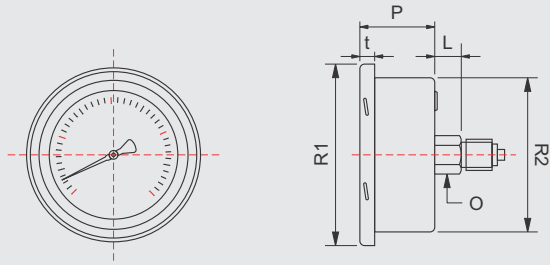
**BACK PANEL MOUNT, CENTRIC WITH PANEL**

70



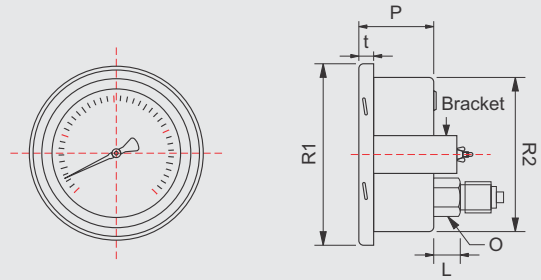
**BACK DIRECT ENTRY, CENTRIC**

80



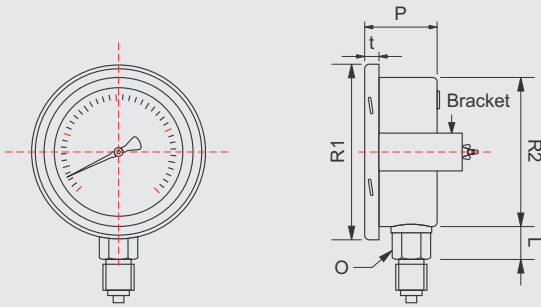
**BACK DIRECT ENTRY, CENTRIC WITH BRACKET**

84



**FLUSH MOUNT BOTTOM ENTRY WITH BRACKET**

90



DIAL SIZE	R1	R2	t	P	L	O	R3	D1	d1	R4	D2	d2
63	73	64	12.5	33	14	14	91	77.8	4.8	-	-	-
100	110	100	15	50	16	22	134	120	5.4	128	116	5.4
150	165	150	15	50	16	22	189	175	5.4	198	171	5.4

\*All dimensions are in mm

## HOW TO ORDER

