

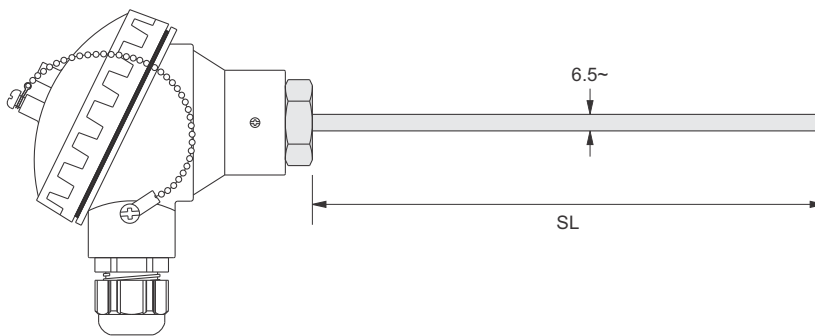
## RTD WITH TEFLON INSULATED OUTER SLEEVE

Specifically designed to measure temperatures in the highly corrosive environments of acids and alkalis. Capable of measuring temperatures of acids and alkalis upto 200°C.

- SS316 sheath with TEFLON protective sleeve
- Up to 200°C
- Available up to 2400mm length
- 6.5 mm diameter
- Polypropylene head
- Polyamide gland, M20 x 1.5
- Hand Bendable sheath

Teflon sleeve protects the sheath from corrosion in highly concentrated acids and alkalis. Since the assembly is made of bendable sheath and insulated using flexible sleeve, it can be bent at user level according to the mounting requirements.

### MODEL : RAA530



PP HEAD

### SPECIFICATIONS

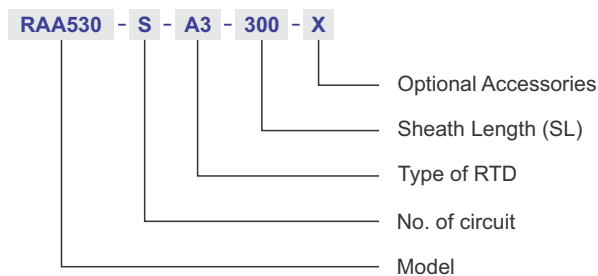
	RAA530
Element	Pt-100, 3-wire
Accuracy	Class A
Range	-50 to 200°C
Insulation	Compact MgO
Sheath material	SS316, Teflon Insulated
Sheath diameter (D)	6.5mm
Sheath length (SL)	Upto 2400mm

### TYPE OF RTD

TABLE R1

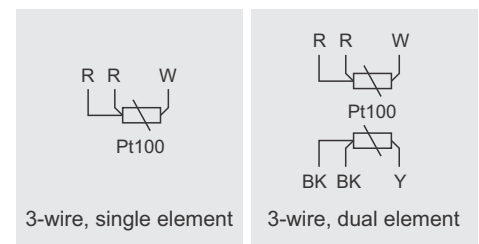
CODE	CONNECTION
A3	Pt100, 3 wire
A4	Pt100, 4 wire
P500	Pt500, 2 wire
P1000	Pt1000, 3 wire

### HOW TO ORDER



### CIRCUIT DIAGRAM

TABLE R2



Use Suffix "D" in place of "S" for dual element

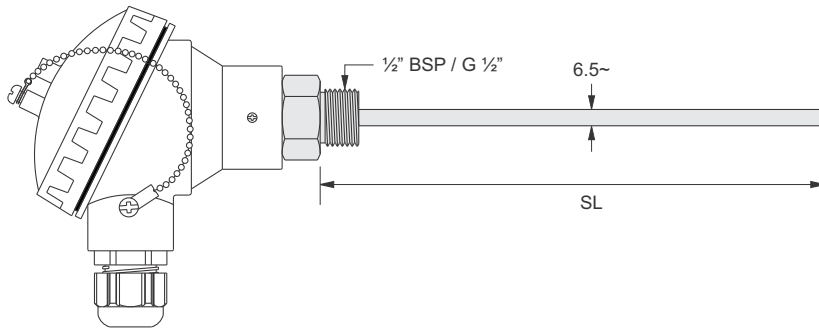
Optional Accessories\* : Head mounted transmitters, cables etc. Specify separately

Abbreviations : SL - Sheath Length

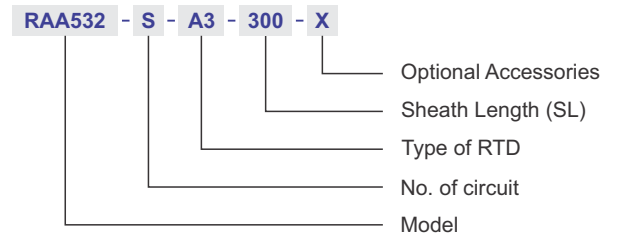
All dimensions are in mm, unless otherwise specified.

**MODEL : RAA532**

**WITH HEX NIPPLE**

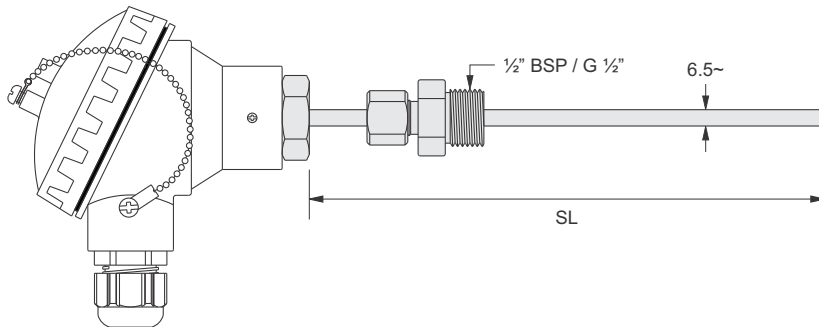


**HOW TO ORDER**

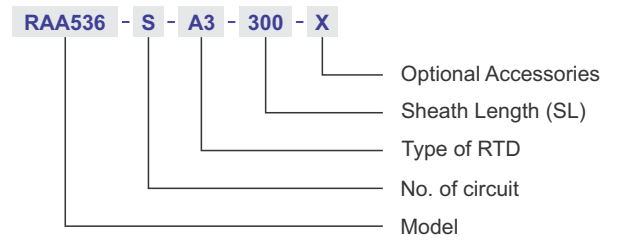


**MODEL : RAA536**

**WITH ADJUSTABLE COMPRESSION FITTING**



**HOW TO ORDER**



Use Suffix "D" in place of "S" for dual element  
 Optional Accessories\* : Head mounted transmitters, cables etc. Specify separately  
 Abbreviations : SL - Sheath Length

All dimensions are in mm, unless otherwise specified.