

## APPLICATIONS

- Process monitoring
- Temperature monitoring
- Monitoring of CIP-/SIP- process

## PROCESS CONNECTION

- Standard lengths 46mm / 52mm
- CIP/SIP cleaning up to 150°C
- All stainless steel construction

## FEATURES

- Pt100 3-wire single / dual circuit
- Class A or higher accuracy
- Wetted parts made of SS316L
- Roughness value (Ra) ≤ 0.8 μm (standard)
- SS 304 terminal head and coupling nut
- EPDM sealing ring
- Operating pressure 10 bar
- Temperature range- ambient -50... +85°C
- Temperature range- Sensors tip -50...+150°C
- M12 connector for easy electrical installation
- Protection class, IP68

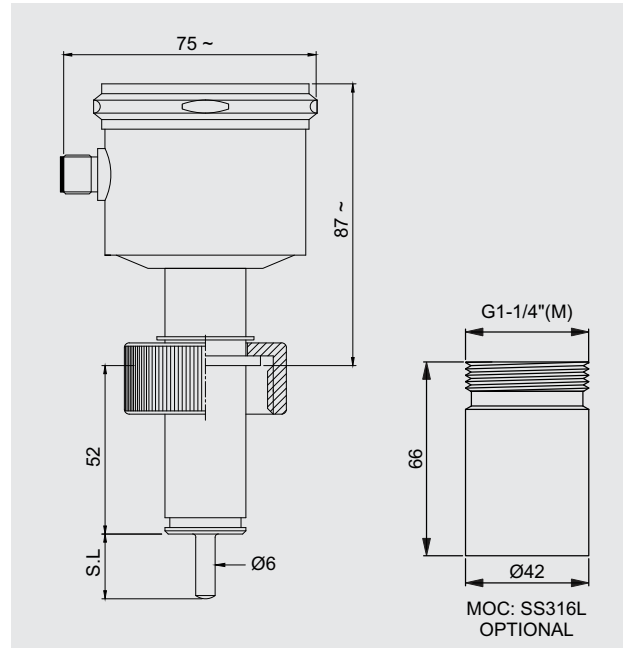
## OPTIONS / ACCESSORIES

- Pt100, 4-wire
- Custom port sheath lengths
- 2 x Pt100 (not- retrofittable)
- Available with weatherproof terminal head (Model RHF300) and flameproof terminal head (Model RXF300)
- 4-20 mA output
- Sensors tip with 4 mm (straight)
- Sensor tips with 6 mm reduced to 4 mm & 8 mm reduced to 5 mm
- Surfaces with Ra ≤ 0.38 μm for wetted parts
- Hastalloy C-276 material
- Polyamide cable gland, M20X1.5 (M)

## HOW TO ORDER

RHF500	S	S7	A3	A	G32	6	25	52	C5P
--------	---	----	----	---	-----	---	----	----	-----

5 point calibration  
 Length of wetted port  
 Insertion length  
 Sheath dia  
 Coupling nut G1 ¼"  
 Class A accuracy  
 Pt 100, 3 wire  
 Terminal head  
 No. of circuit  
 Model



## ACCURACY OF Pt100 AS PER IEC 60751

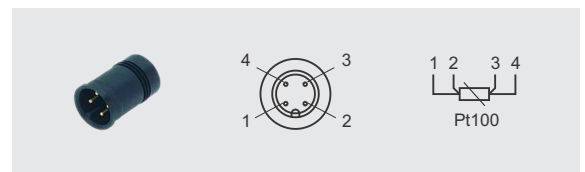
Pt100	A (½B)	AA (⅓B)
0°C (100Ω)	±0.15°C/±0.06Ω	±0.1°C/±0.04Ω
100°C (138.5Ω)	±0.35°C/±0.13Ω	±0.27°C/±0.1Ω

## RESPONSE TIME

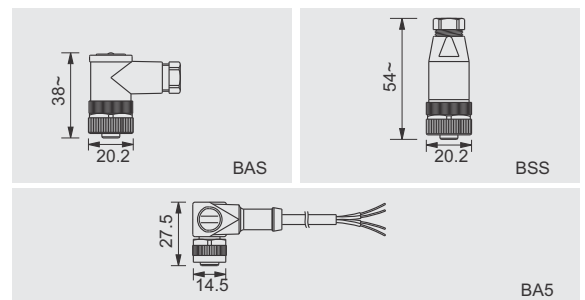
Tip Dia.	Imm. Length	T <sub>0.5</sub>	T <sub>0.9</sub>
6 mm	25 mm	4 s	9 s

T<sub>0.5</sub> and T<sub>0.9</sub> shows the response times at 50% and 90% of the step change. This data is measured by immersing the sensing bulb from ambient temperature to boiling water flowing at 0.4 m/sec. The result may vary according to the measuring environment and condition.

## ELECTRICAL CONNECTION



## OPTIONAL ACCESSORIES



## ENQUIRIES

Instruments : sales@radix.co.in  
 Sensors : sensors@radix.co.in  
 Gauges : gauges@radix.co.in  
 Automation : automation@radix.co.in  
 Level : level@radix.co.in  
 Dwyer : sales@radix.co.in

**RADIX ELECTROSYSTEMS PVT LTD**  
 A-566/583, TTC Industrial Area  
 MIDC, Mahape  
 Navi Mumbai - 400 710, India  
 Tel : + 91 22 41929999 · sensors@radix.co.in

**radix**<sup>®</sup>  
 www.radix.co.in