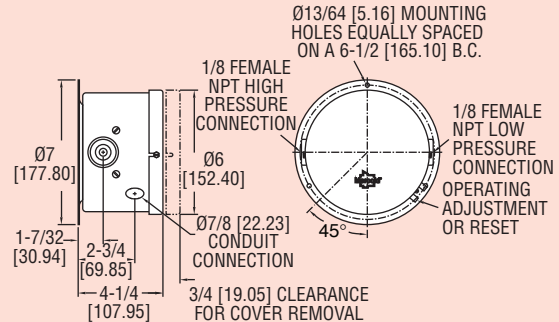
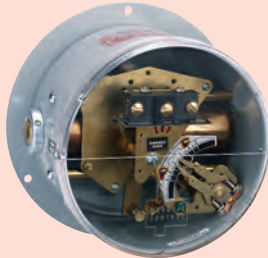




Series
DP

Double Bellows Differential Pressure Switches

Visible Setpoints, Adjustable or Fixed Deadband...High Pressure Ranges



Two opposing bellows combine maximum sensitivity and vibration resistance with moderate cost in the Series DP differential pressure switches. Both set and reset points are easily adjustable through non-interactive, externally accessible controls. Visible set-point indicators simplify changes. SPDT snap action switch, 316 stainless steel or brass bellows, flanged steel housing. Rated pressures to 600 psig.

Optional Enclosures

Weatherproof Enclosure — to order add “W” suffix after DPA.

Example: D P A W – 7033-153-61

Explosion-Proof Enclosure — to order add “E” suffix after DPA.

Example: D P A E – 7033-153-61

SPECIFICATIONS

Wetted Materials: Brass on ranges 61, 62, 63 or 316 SS on ranges 62E, 64E, 65E.

Temperature Limits: -10 to 180°F (-23 to 82°C).

Pressure Limit: Maximum pressure of the operating range.

Enclosure Rating: General purpose. Weatherproof or explosion-proof optional.

Switch Type: Snap switch. (Contact factory for mercury switch).

Electrical Rating: See model chart.

Electrical Connection: Screw terminal.

Conduit Connection: General purpose: 1/2” hole for conduit hub; Weatherproof: 1/2” conduit hub; Explosion-proof: 3/4” female NPT.

Process Connection: General purpose and weatherproof: 1/8” female NPT, explosion-proof: 1/4” male NPT.

Mounting Orientation: Vertical.
Set Point Adjustment: Thumbscrew.
Weight: General purpose: 5 lb (2.3 kg), weatherproof: 7 lb (3 kg), explosion-proof: 25 lb (11 kg).

Deadband: See model chart.

Agency Approvals: CE, cUL, UL.

Bellows Material	Range psid (bar)	Max. Press psig (bar)	Adjustable Deadband		Fixed Deadband	
			Snap Action Switch		Snap Action Switch	
			SPDT, 15A @ 120/240 VAC		SPDT, 15A @ 120/240 VAC	
			Min.D.B. psid (bar)	Model	Fixed D.B. psid (bar)	Model
Brass	0-10 (0-0.7)	50 (3.5)	1.5 (.10)	DPA-7033-153-61	0.5 (.03)	DPS-7233-153-61
Brass	0-20 (0-1.4)	100 (6.9)	2.5 (.17)	DPA-7033-153-62	1.0 (.07)	DPS-7233-153-62
Brass	0-30 (0-2.1)	300 (20.7)	6.0 (.41)	DPA-7033-153-64	1.5 (.10)	DPS-7233-153-64
316SS	0-20 (0-1.4)	100 (6.9)	3.0 (.21)	DPA-7043-153-62E	1.5 (.10)	DPS-7243-153-62E
316SS	0-30 (0-2.1)	300 (20.7)	6.0 (.41)	DPA-7043-153-64E	2.0 (.14)	DPS-7243-153-64E
316SS	0-80 (0-5.5)	600 (41.4)	20(1.4)	DPA-7043-153-65E	6.0 (.41)	DPS-7243-153-65E