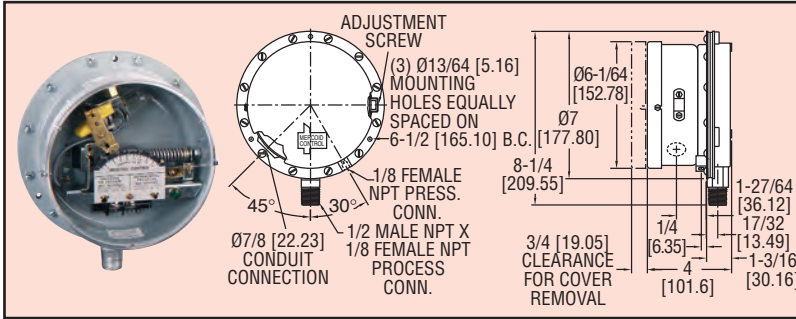




Series  
PG

# Gas Pressure/Differential Pressure Switches

External Adjustment, Visible Dial, Hermetically Sealed Snap or Mercury Switch



Large diaphragm sensitivity and time proven dependable design are combined in model PG differential pressure switches. Visible dial reduces “start up” time and helps prevent calibration errors. External adjustment allows set point change without removal of cover. Unit is listed by UL, FM and CSA.

Model	Range	Maximum Deadband	Switch Type
PG-153-P1	1-30 in w.c. (.25-7.47 kPa)	1.9 in w.c. (0.47 kPa)	SPDT Mercury
PG-153-P2	0.5-5 psid (0.3-.345 bar)	0.4 psid (0.38 bar)	SPDT Mercury
PG-3-P1	1-30 in w.c. (.25-7.47 kPa)	1.3 in w.c. (0.32 kPa)	SPST Mercury*
PG-3-P2	0.5-5 psid (.03-.345 bar)	0.3 psid (0.21 kPa)	SPST Mercury*
PG-7000-153-P1	1-30 in w.c. (.25-7.45 kPa)	4 in w.c. (1.0 kPa)	SPDT Snap
PG-7000-153-P2	0.5-5 psid (.03-.345 bar)	.5 psid (.035 bar)	SPDT Snap
PG-7000-153HS-P1	1-30 in w.c. (.25-7.47 kPa)	4 in w.c. (1.0 kPa)	SPDT Hermetically Sealed Silver Snap
PG-7000-153HG-P1	1-30 in w.c. (.25-7.47 kPa)	4 in w.c. (1.0 kPa)	SPDT Hermetically Sealed Gold Snap

\* SPST switches shown are close on increase of pressure. For open on increase of pressure replace 3 in middle of model number with 2. Example: PG-2-P1.

## SPECIFICATIONS

**Wetted Materials:** Fairprene, brass, steel, and aluminum.

**Temperature Limits:** -10 to 180°F (-23 to 82°C).

### Pressure Limit:

Single pressure use on high side:

Sustained pressure: 15 psig (1.0 bar).

Surge limit: 20 psig (1.4 bar).

Differential pressure use:

Sustained pressure, range P1: 2 psig (1.4 bar).

Sustained pressure, range P2: 10 psig (0.7 bar).

**Enclosure Rating:** General purpose. Weatherproof and explosion-proof optional.

**Repeatability:** ±1% of full range.

**Switch Type:** SPST mercury switch, SPDT mercury switch, SPDT snap switch, or SPDT hermetically sealed snap switch. Optional DPDT.

## Electrical Rating:

Mercury: 4A @ 120 VAC/VDC, 2A @ 240 VAC/VDC. SPST

Mercury: 6A @ 120 VAC/VDC, 3A @ 240 VAC/VDC. SPDT

Snap: 15A @ 120 VAC, 8A @ 240 VAC, 0.5A @ 120 VDC,

0.25A @ 240 VDC. SPDT H.S.

Silver Snap: 5A @ 125/250 VAC, 30 VDC resistive. SPDT

H.S. Gold Snap: 1A @ 125 VAC, 30 VDC resistive.

## Electrical Connections:

Screw type.

**Conduit Connection:** 7/8" (22.23 mm) hole for 1/2" (12.7 mm) conduit hub.

**Process Connection:** 1/2" male NPT and 1/8" female NPT used for single vacuum or low differential pressure.

**Mounting Orientation:** Vertical.

**Set Point Adjustment:** External screw.

**Weight:** 4.5 lb (2 kg).

**Deadband:** See model chart.

**Agency Approvals:** CSA, FM, UL for mercury switch models. UL only on snap switch models.