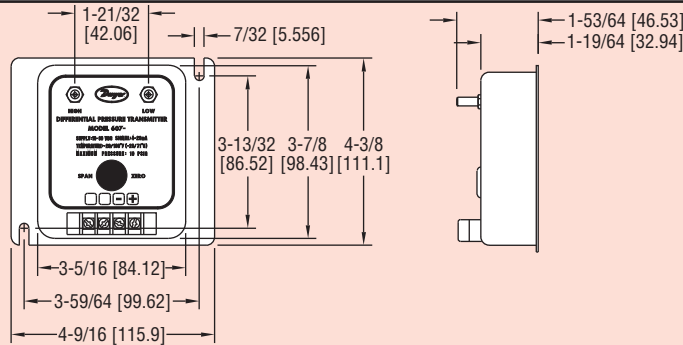




Series  
607

# Low Range Differential Pressure Transmitter

±0.25% or ± 0.5% Full Scale Accuracy, Ranges from 0-0.1 in w.c.



**Series 607 Differential Pressure Transmitter** combines very low ranges with exceptional stability, reliability and either  $\pm 0.25\%$  or  $\pm 0.5\%$  accuracy for the most demanding applications. Ranges from 0-0.1 to 0-25 in w.c. Ultra thin glass clad silicon diaphragm design resists shock and vibration, practically eliminates drift. Certification to NIST standards is included with each unit. Tough stainless steel housing is NEMA-2 rated to protect against moisture and dirt. Use with air and other compatible gases.

Model	Range (in w.c.)	Model	Range (in w.c.)
607-0	0-.10	607-71*	0-5.0
607-01*	0-.10	607-8	0-10
607-1	0-.25	607-0B	.10-0-.10
607-11*	0-.25	607-1B	.25-0-.25
607-2	0-.50	607-2B	.50-0-.50
607-21*	0-.50	607-9	0-25
607-3	0-1.0	607-3B	1.0-0-1.0
607-4	0-2.0	607-4B	2.0-0-2.0
607-7	0-5.0	607-7B	5.0-0-5.0

\* Models have a  $\pm 0.25\%$  FS accuracy.

## SPECIFICATIONS

**Service:** Air and nonconductive, noncorrosive gases.  
**Wetted Materials:** Contact factory.  
**Accuracy:**  $\pm 0.5\%$  or  $\pm 0.25\%$  FS.  
**Stability:**  $\pm 0.5\%$  FSO/yr.  
**Temperature Limits:** -20 to 160°F (-29 to 71°C), 10 to 95% RH.  
**Pressure Limits:** 10 psig (0.69 bar).  
**Compensated Temp. Range:** 35 to 135°F (2 to 57°C).  
**Thermal Effects:**  $\pm 0.015\%$  FS/°F (zero and span).  
**Power Requirements:** 12-36 VDC.  
**Output Signal:** 4 to 20 mA DC, 2-wire.

## ACCESSORIES

**A-302F-A**, 303 SS Static Pressure Tip with mounting flange. For 3/16" ID rubber or plastic tubing. 4" insertion depth. Includes mounting screws

## OPTION

For NIST traceable calibration certificate, use order code NISTCAL-PT1.

**Zero & Span Adjustments:** Externally accessible potentiometers, non-interactive,  $\pm 10\%$  FS adjustment.  
**Response Time:** 250 msec max.  
**Loop Resistance:** 0 to 1045  $\Omega$   
 $V_{min} = 12V + [(0.22A)(R_L)]$ .  
**Current Consumption:** 3.6 mA (min).  
**Electrical Connection:** Screw terminals.  
**Process Connection:** Barbed stainless steel for 3/16" ID tubing.  
**Housing:** 300 Series SS (NEMA 2, IP11).  
**Weight:** 1.04 lb (472 g).  
**Agency Approvals:** CE.