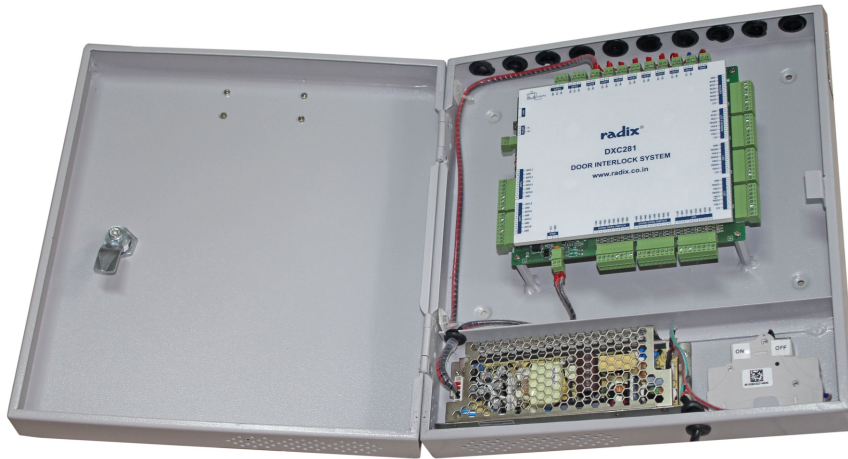


DOOR INTERLOCK SYSTEMS

5 to 8 DOORS, RS485 / ETHERNET



ABOUT DXC281

DXC281 controls interlocking of 8 doors using door feedback sensors. It is a system which on request allows access to only one door for a predefined time and makes other door secure within the designated area. Buzzer and indicators show forcible operation of a door, which is blocked by the system.

3 Groups can be formed in this 8 door Interlocking system. User can program door groups using PC based utility through serial communication or Ethernet. Door locking time and opening time can also be set using utility. A no touch switch / touch switch is provided at the entry side and exit side of each door for access.

Four general purpose inputs (GPI) are provided for emergency door opening (e.g. through output of fire alarm system, or manual emergency door open switch). Two general purpose outputs (GPO) are relay outputs which can be used to operate a siren / Fire Alarm.

FEATURES

- Eight Door Open Switches
- Four General Purpose Inputs (GPIs), for any emergency action
- Eight DOTL switch inputs for door position sensing
- Eight relay outputs for Eight Electromagnetic Locks of doors
- Two General Purpose Relay Outputs (GPOs)
- Eight green & Eight red LED controls
- Eight buzzer output logics

SPECIFICATIONS

All specifications at ambient of 25 °C unless specified otherwise

POWER	
Supply voltage	External voltage: 100~240 V AC/ 1.8A (60Hz)
Protection	Internal voltage : 12V/6.25A Miniature circuit breaker used for over current protection
INPUT	
Door interface	2 Door Open Switch (No touch switch/ Touch Based Switch) per door
Digital input	4 General purpose inputs
OUTPUT	
Digital output	2 General purpose relay outputs 8 Relay outputs for magnetic locks
Door status indicator	2 LEDs control per door 1 buzzer per door
COMMUNICATION	
Serial port	RS485 USB (Only for programming & configuration)
Ethernet Protocol	Optional MODBUS RTU - RS485, USB MODBUS TCP - Ethernet
Slave ID	User programmable (1-247)
Baud rate	9600
PROGRAMMABLE PARAMETERS	
	Door open time settings GPI action configuration GPO event configuration Buzzer sound type and time Door interlock grouping Emergency mode operation of no touch switch
ENCLOSURE	
Dimensions (in mm)	360(L) x 325(W) x 80(H)
Material	MS, Powder coated
Mounting	Wall
TEMPERATURE, HUMIDITY	
Ambient, storage	-20 to +55 °C
Ambient, operation	-20 to +55 °C
Relative humidity	5~95% RH, non-condensing

DOOR INTERLOCK SYSTEMS

5 to 8 DOORS, RS485 / ETHERNET

ACCESSORIES

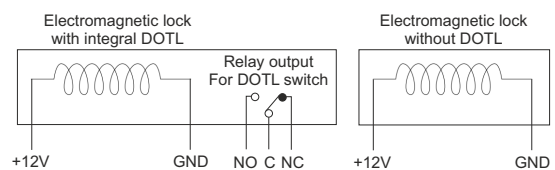
ELECTROMAGNETIC DOOR LOCKS

A magnetic lock is a simple locking device that consists of an electromagnet and armature plate. By attaching the electromagnet to the door frame and the armature plate to the door, a current passing through the electromagnet attracts the armature plate holding the door shut. LED indications are used to show the door and lock status.

- Holding force : Holding force 600lb/280Kg (99.99% pure copper coil used)
- Rust protection : Blue zinc-plating
- Armature thickness : 12 mm for maximum holding force
- Dimensions : 250x48x27mm
- Armature plate : 180(L)x38(W)x12(H) mm
- Mounting bracket : 250mm X28mm X48mm
- Voltage : 12VDC
- Current : 0.48A
- Operating temperature : -20 ~ 60 °C



ORDER CODE : 2603



EMERGENCY SWITCHES

The emergency switch is used to open all the doors simultaneously in an emergency conditions.

- Contact type : Normally open
- Standard structure : Stainless steel panel, steel button
- Panel material : Stainless steel, brush finish



ORDER CODE : 2641-1

92(L) x 29.4(W) mm



ORDER CODE : 2605-1

90(L) x 90(W) x 25(H) mm

NO TOUCH SWITCHES

No touch switch is used to access the door by simply passing the hand close to the switch. Detection is indicated by an LED. Blue indicates 'Normal' and Red indicates 'No touch detection'.

- Input voltage : 12VDC
- Contact rating : 3A/120VAC 30VDC
- Operating temperature : -20 °C ~ 50 °C
- Life : 500000 operations



ORDER CODE : 2640

115(H) x 70(W) x 29(D) mm



ORDER CODE : 2604

86(H) x 86(W) x 39(D) mm

TOUCH BASED SWITCHES

Touch switch is used to access the door by pressing switch. LED indications are configurable from the controller side. Emergency switch is also available in a similar design.



ORDER CODE : 2657-1

87mmx146.5mm

FLP MAGNETIC LOCK AND SWITCHES

FLP Door Interlocking system, for operations in hazardous area. Ideal for current GPM norms for Clean rooms.

- Normally all doors remain closed
- Default 5 sec door release time
- Application : For Door Interlock operation in hazardous area like Bulk Drug, API etc.



ORDER CODE : 2658

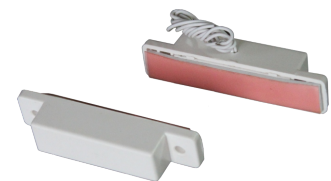


ORDER CODE : 2661

DOTL SWITCHES

DOTL switch is used to determine the position of the door.

- Screw mount : 2 1/2" long
- Magnetic contact leads : 12" centre jacketed



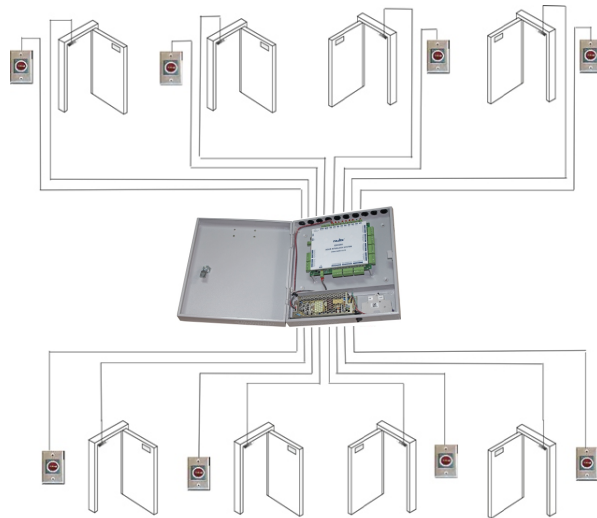
ORDER CODE : 2659

2.5x0.5"

DOOR INTERLOCK SYSTEMS

5 to 8 DOORS, RS485 / ETHERNET

APPLICATION



ORDERING INFORMATION

CONTROL UNIT

2663 - □ - □
A B

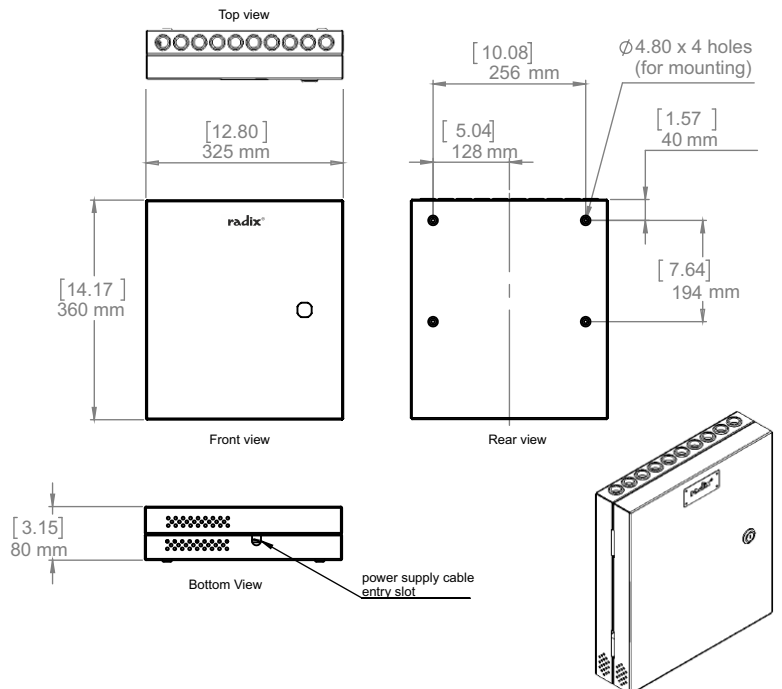
Product code	A	No. of Doors	B	Communication
2663	1	5 Doors	1	RS485
	2	6 Doors	2	Ethernet
	3	7 Doors		
	4	8 Doors		

ACCESSORIES

ITEM	ORDER CODE
Electromagnetic Lock with DOTL (600LB) #1	2603
Electromagnetic Lock without DOTL (600LB) #1	2654
Electromagnetic Lock with DOTL (1200LB) #1	2655
Electromagnetic Lock without DOTL (1200LB) #1	2656
Emergency Switch - Square, without LED #3	2605-1
Emergency Switch - Square, with single LED (Red) #3	2605-2
Emergency Switch - Rectangular, without LED #3	2641-1
Emergency Switch - Rectangular, with single LED (Red) #3	2641-2
No Touch Switch - Square, Dual LED (Red, Blue) #2	2604
No Touch Switch - Rectangular, Dual LED (Red, Blue) #2	2640
Touch Switch - Square, Dual LED (Red/Green) #2	2606-1
Touch Switch - Square, Single LED (Green) #2	2606-2
Touch Switch - Rectangular, Dual LED (Red/Green) #2	2657-1
Touch Switch - Rectangular, Dual LED (White/Green) #2	2657-2
Flameproof Magnetic Lock #1	2658
Flameproof Magnetic Switch #2	2661
DOTL Switch #1	2659

#1 = 1 required per door
#2 = 2 required per door
#3 = As required

DIMENSIONS



ENQUIRIES

Instruments : sales@radix.co.in
Sensors : sensors@radix.co.in
Gauges : gauges@radix.co.in
Automation : automation@radix.co.in
Level : level@radix.co.in
Dwyer : sales@radix.co.in

RADIX ELECTROSYSTEMS PVT LTD
EL-135/136/137, Electronics Zone
TTC Ind. Area, MIDC, Mahape
Navi Mumbai - 400 710, India
Cell : + 91 93209 97925 • automation@radix.co.in

radix®
www.radix.co.in