

LEVEL CONTROLLER

DUAL CHANNEL



ABOUT LCU207

LCU207 is an advanced microcontroller based level monitoring and control system. It can be used in conjunction with any 2-wire transmitter.

It operates on an input signal of 4~20mA from the level transmitter. This analog input is digitized through A to D converter and then calibrated through its microcontroller, to control the output functions of display and relays.

FEATURES

- 2x16 dot matrix backlit LCD display
- Two-character tank identification
- Level display in selected unit - % / mm / cm / mtr
- Volume display for Linear, Non-linear Tanks (Vessels) in Ltr/KLtr/Ton/Gallon
- 256 point linearisation for linear and non-linear tanks
- 2 to 5 relays, independently configurable for set & reset values
- RS485 MODBUS RTU
- Isolated retransmission 4~20 mA current output
- Four-digit password protection

LEVEL CONTROLLER

DUAL CHANNEL

SPECIFICATIONS

All specifications at ambient of 25 °c, unless specified otherwise

INPUTS

Input	4~20 mA
No. of inputs	1 or 2
Transmitter supply	24 VDC, 30 mA (current input version)
Accuracy	±0.25% of FSD
Resolution	1mm

INDICATION

Level and volume	2x16 LCD display
Range - Level	5-digit (0~20000)
Range - Volume	7-digit (0~9999999)
Status indication	LED's for alarm status

OUTPUTS

No. of relays	2 to 5
Contact rating	Independently programmed for alarms, Set-Reset
Current output	NO-C-NC x 5A, 230VAC
Maximum load for current output	4~20mA retransmission, isolated 600Ω @24VDC

COMMUNICATION

Port	RS485
Protocol	Modbus RTU
Slave ID	User programmable (1~99)

ISOLATION

Mutual isolation between input, output, supply, relays, RS485	1500 VAC RMS, 50hz / 1 minute
---------------------------------------------------------------	-------------------------------

PROGRAMMING

Tactile, 4 keys

SUPPLY VOLTAGE

- a) 85~265 VAC, 50/60 Hz
- b) 20~30 VDC (See ordering information)

Power consumption

7 VA

MECHANICAL

Mounting	Panel mount
Dimensions (in mm)	96(H) x 96(W) x 100(D)
Panel cutout	92 x 92 mm

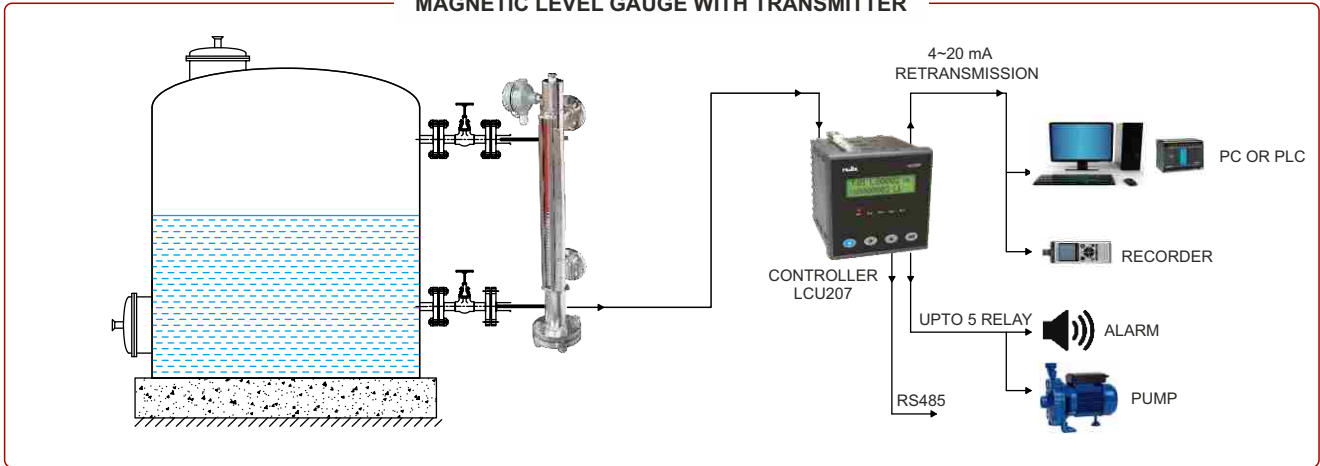
TEMPERATURE, HUMIDITY

Ambient, operation	0 to 60 °C
Relative humidity	95% RH, non-condensing

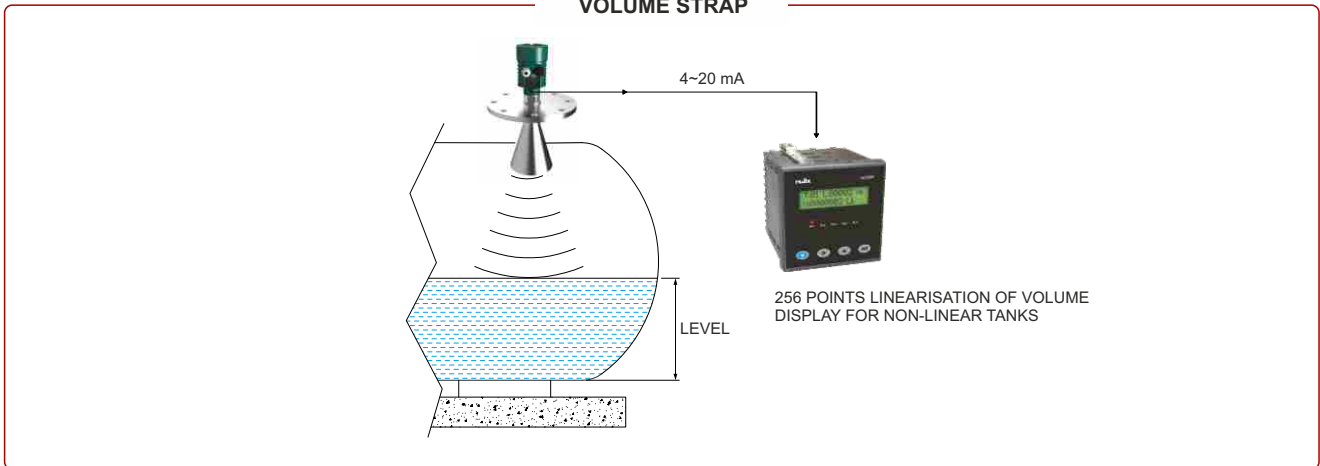
LEVEL CONTROLLER DUAL CHANNEL

APPLICATIONS

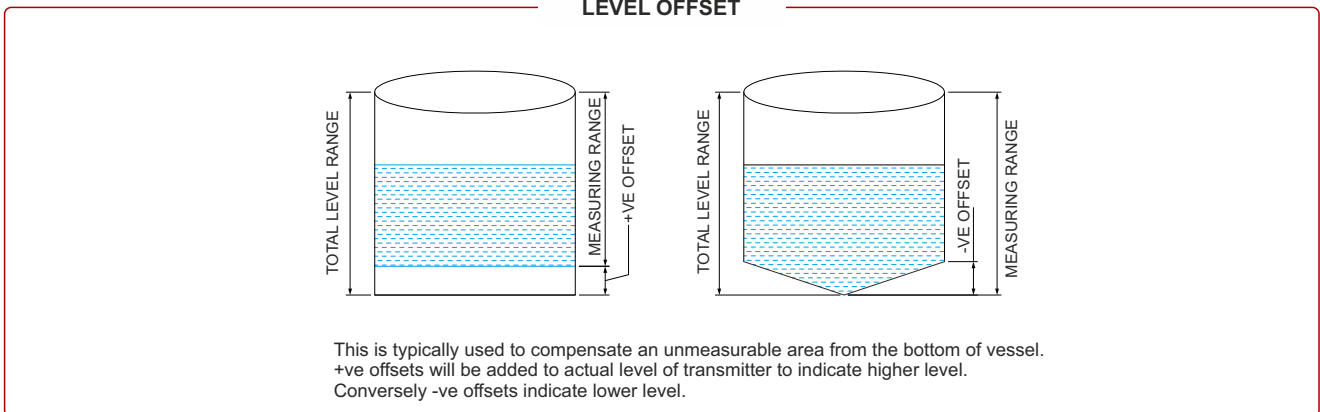
MAGNETIC LEVEL GAUGE WITH TRANSMITTER



VOLUME STRAP



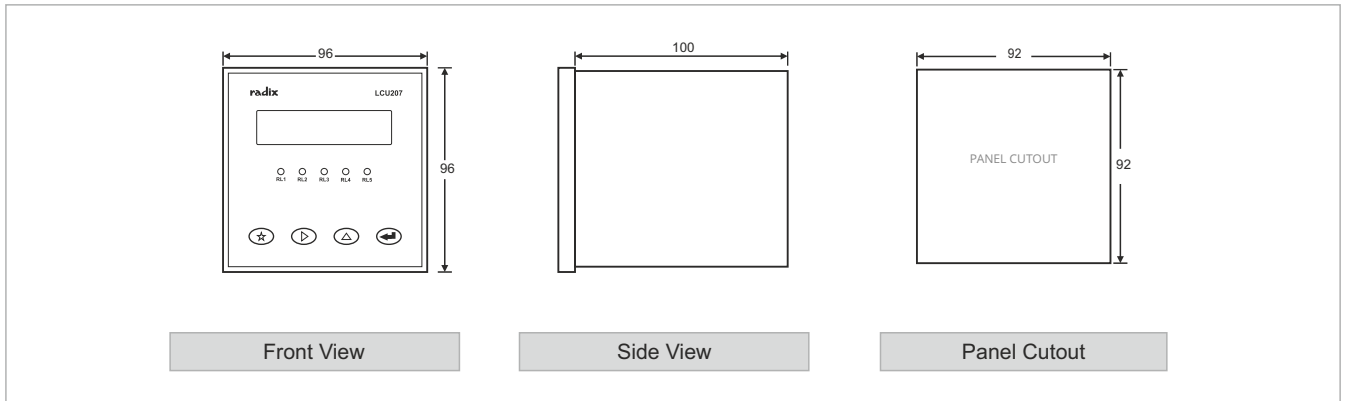
LEVEL OFFSET



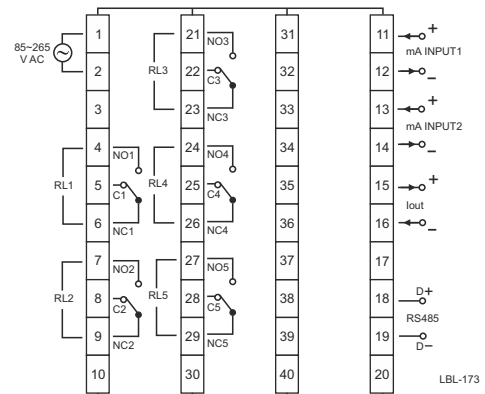
LEVEL CONTROLLER

DUAL CHANNEL

DIMENSIONS mm



CONNECTION DIAGRAM



ORDERING INFORMATION

CONFIGURATION	ORDER CODE
2 setpoints	2543 0006
4 setpoints	2543 0008
2 setpoints + RS485	2543 0013
4 setpoints + RS485	2543 0017
2 setpoints + 4 to 20mA output	2543 0007
4 setpoints + 4 to 20mA output	2543 0009
4 setpoints + 4 to 20mA output + RS485	2543 0014
4 setpoints + 4 to 20mA output + RS485	2543 0021

Ordering options

- 1) 20~30 VDC is available on request.
- 2) Dual channel model is available.

Minimum order quantity and/or minimum order value may apply.

CAT#537R0/A

ENQUIRIES

Instruments: sales@radix.co.in
Sensors: sensors@radix.co.in
Gauges: gauges@radix.co.in
Automation: automation@radix.co.in
Level: level@radix.co.in

RADIX ELECTROSYSTEMS PVT LTD
 EL-135/136/137, Electronics Zone
 TTC Indl. Area, MIDC, Mahape
 Navi Mumbai - 400 710, India
 + 91 22 42537707 • sales@radix.co.in

radix®
 www.radix.co.in