

### PC MOC

TABLE R1

CODE	TYPE
A	SS304
C	SS316

### ACCURACY

TABLE R2

CODE	TYPE
A	Class A (½ DIN)
Y	Class AA (⅓ DIN)
K	Class 1/5 DIN
B	Class B (DIN)

### NO. OF CIRCUITS

TABLE R3

CODE	TYPE
S	Single element
D	Dual element

### TERMINATION

TABLE R4

CODE	TYPE
FL	Flying leads
TB	Terminal block

### PROCESS CONNECTION

TABLE R6

THREAD	MOC	CODE
¼" BSP / G¼"	SS304 SS316	ABP14 / AG14 CBP14 / CG14
⅜" BSP / G⅜"	SS304 SS316	ABP38 / AG38 CBP38 / CG38
½" BSP / G½"	SS304 SS316	ABP12 / AG12 CBP12 / CG12
¾" BSP / G¾"	SS304 SS316	ABP34 / AG34 CBP34 / CG34
¼" NPT	SS304 SS316	AN14 CN14
⅜" NPT	SS304 SS316	AN38 CN38
½" NPT	SS304 SS316	AN12 CN12
¾" NPT	SS304 SS316	AN34 CN34

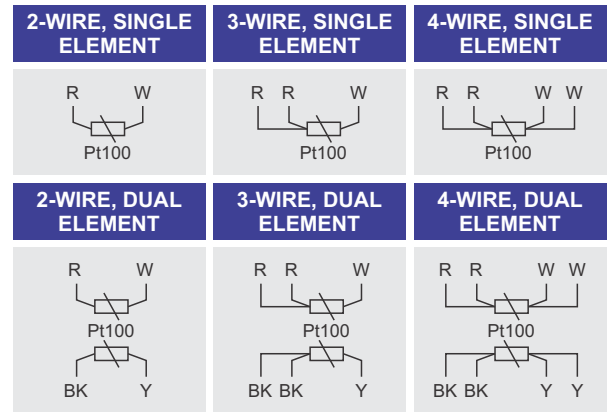
### TYPE OF RTD

TABLE R7

CODE	CONNECTION
A2	Pt100, 2 wire
A3	Pt100, 3 wire
A4	Pt100, 4 wire
B3	Pt500, 3 wire
C2	Pt1000, 2 wire

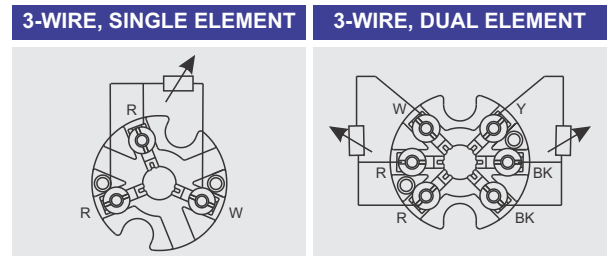
### CIRCUIT DIAGRAM

TABLE R8



### TERMINAL BLOCK

TABLE R9



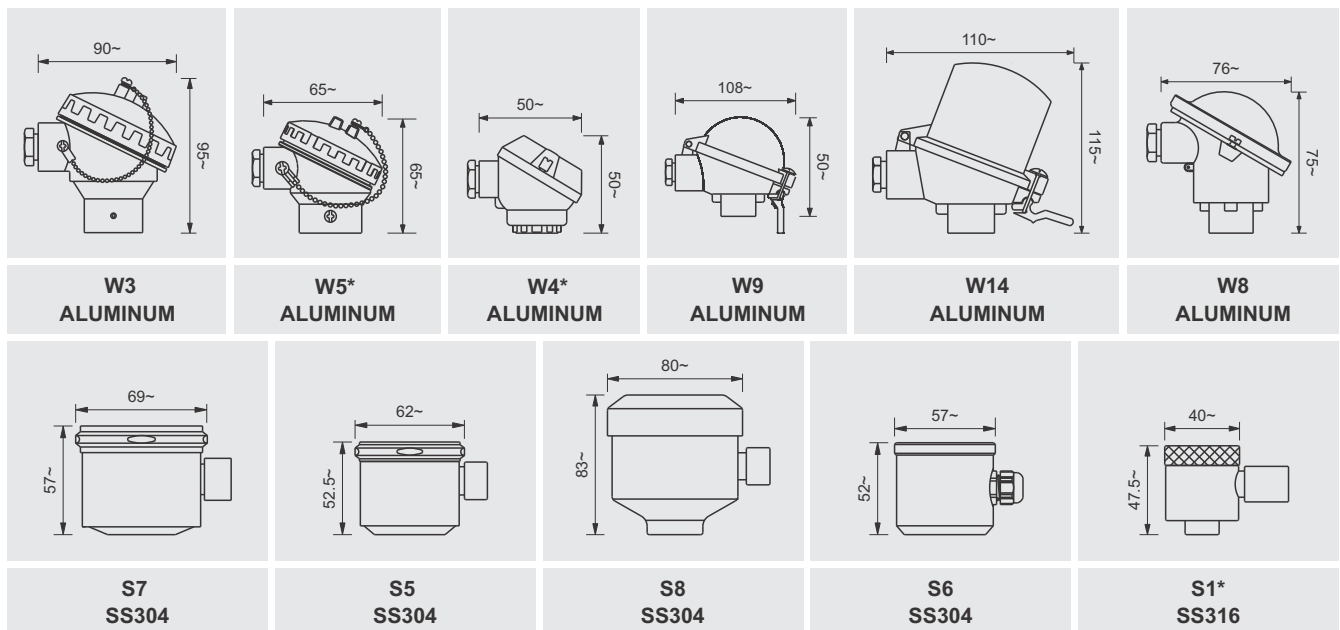
### OPTIONAL ACCESSORIES

TABLE R10

CODE	ITEM
A	Head mounted transmitter Model - TX1HM
B	Head mounted transmitter Model - SCC 641
PN12	Polyamide gland, ½"NPT

### TERMINAL HEADS

TABLE R5



\* Head mounted transmitter not offered

Abbreviation : PC - Process Connection

All dimensions are in mm, unless otherwise specified.