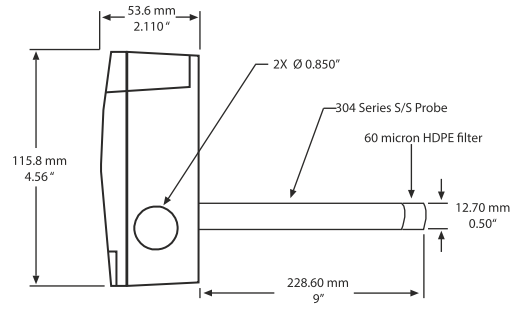
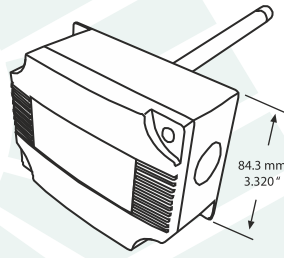
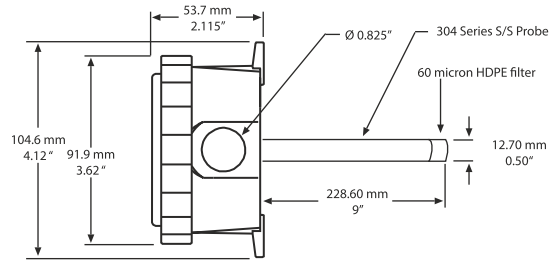
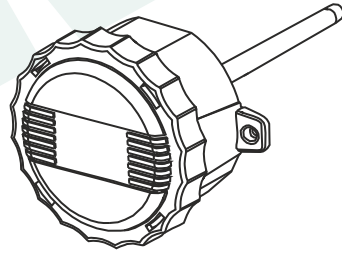


DIMENSIONS

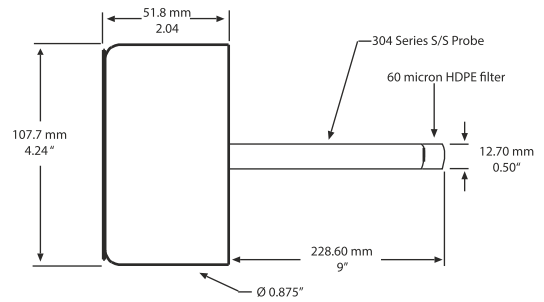
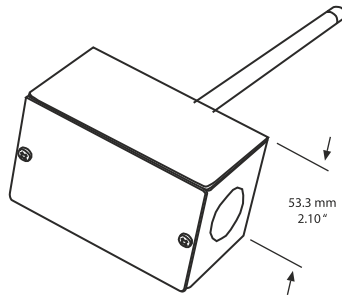
ABS Enclosure (A)



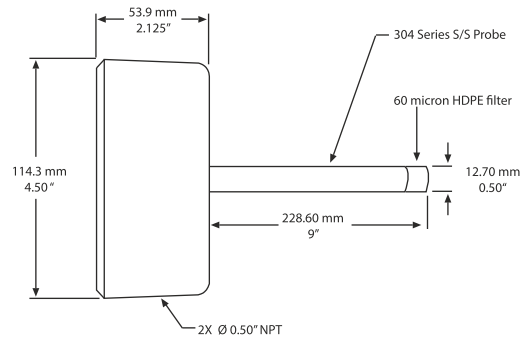
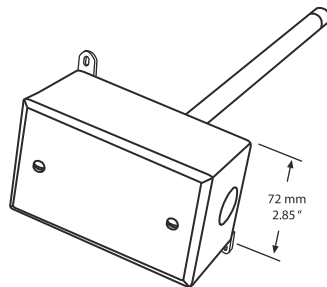
Round ABS Enclosure (E)



Metal Enclosure (M)



Weatherproof Enclosure (W)



Greystone Energy Systems, Inc. reserves the right to make design modifications without prior notice.