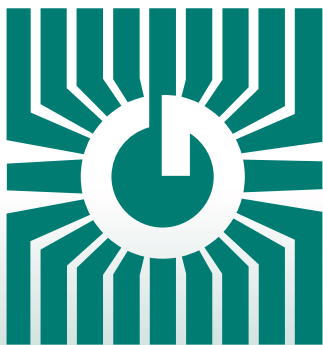


GREYSTONE

ENERGY SYSTEMS INC



DIFFERENTIAL PRESSURE SWITCH GFS Series



Precision pressure control/sensing

FEATURES:

- The housing contains a diaphragm, a snap-acting SPDT switch, range adjustment knob with increments
- The sample connections located on the side accept 6.35mm (0.25") OD tubing
- An enclosure cover guards against accidental contact with the live switch terminal screws and the set point adjusting knob with indication.
- Optional pressure ranges available.
- Includes 2 pick up tubes and 2 M (6.56') of PVC tubing

*Peace of mind
through reliable
pressure monitoring*

GREYSTONE HAS AN **ISO 9001** REGISTERED QUALITY SYSTEM

SPECIFICATIONS:

Adjustment Range	See Product Ordering Information
Adjustment Knob Markings	Scaled in Pascal and " WC
Switch Tolerance	±15%
Maximum Operating Pressure... 1.45 PSI (10 kPa) for all pressure ranges	
Medium	Air, non-combustible and non-aggressive gases
Temperature Range	Medium and ambient temperature -20°C to 60°C (-4°F to 140°F) Storage temperature -40°C to 85°C (-40°F to 185°F)
Diaphragm Material	Silicone, tempered at 200°C, free of gas emissions
Pressure Connections	2 plastic pipe connections pieces (P1 and P2), external diameter 6.0 mm P1 for connection to higher pressure P2 for connection to lower pressure

Electrical Rating	Max. 1.0A (0.4A) / 250 VAC, 50/60 Hz Max. 0.1 A / 24 VDC
Electrical Connections	AMP flat plug 6.3 mm x 0.8 mm Push-on screw terminals Cable conduit with cable relief
Mechanical Working Life	Over 10 million switching operations
Housing Materials	Switch body made of PA 6.6 Cover made of PC
Protection Category	IP54 with cover (NEMA 13)
Weight	With cover 160 g
Included Accessories	2 meters of PVC hose and 2 plastic tubes Set of 3 push-on screw terminals
Approvals	ETL Approved, No. 3192203
Approval Standards	UL508 & CSA 22.2

PRODUCT ORDERING INFORMATION

MODEL	Product Description
GFS	Adjustable Airflow Switch with Setpoint Indication

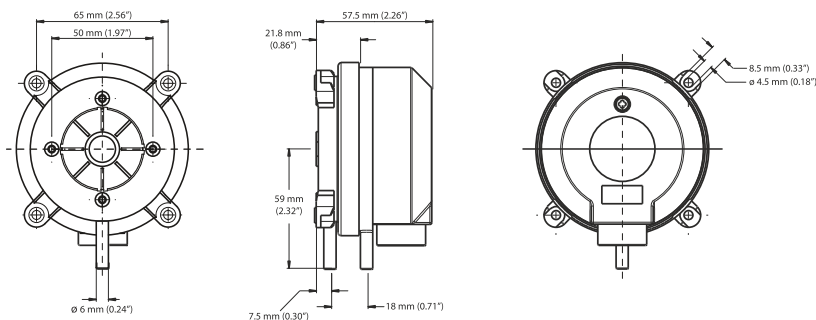
CODE	Range
80	0.08" to 1.20" w.c. (20 to 300 Pa), Switch differential 0.04" w.c. (10 Pa)
83	0.2" to 2.00" w.c. (50 to 500 Pa), Switch differential 0.08" w.c. (20 Pa)
86	2.00" to 10.00" w.c. (500 to 2500 Pa), Switch differential 0.60" w.c. (150 Pa)

CODE	Electrical Connections
N-IK	1/2" NPT Connection
M-IK	M20 Connection

GFS	80	N-IK
------------	-----------	-------------

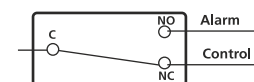
Greystone Energy Systems Inc. reserves the right to make design modifications without prior notice.

Dimensions in millimeters and (inches)



Alarm or Control

To prove excessive airflow or pressure



To prove insufficient airflow or pressure

