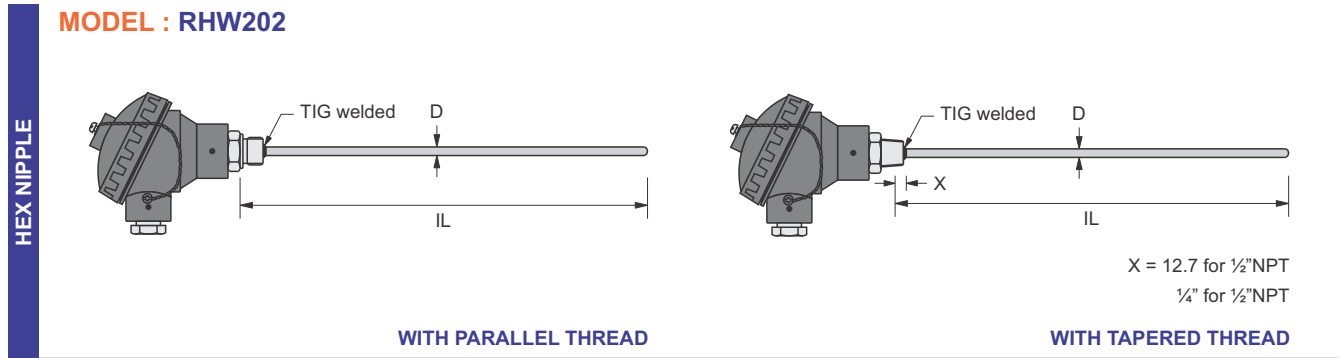


RTD WITH TERMINAL HEAD

- Non-bendable sheath
- -50 to 250°C range
- Standard lengths are 100, 150 & 300mm. Longer assemblies not recommended
- Termination : Aluminium head with threaded cap and chain with single compression cable gland
- Elements are terminated into nickel plated brass terminals mounted on high purity ceramic terminal block
- Rated to withstand 10bar pressure
- Leakproof assembly
- Not recommended for using with thermowells

MODEL : RHW202



CONVENTIONAL ASSEMBLY WITH THREADED HEX NIPPLE FIXED BELOW HEAD

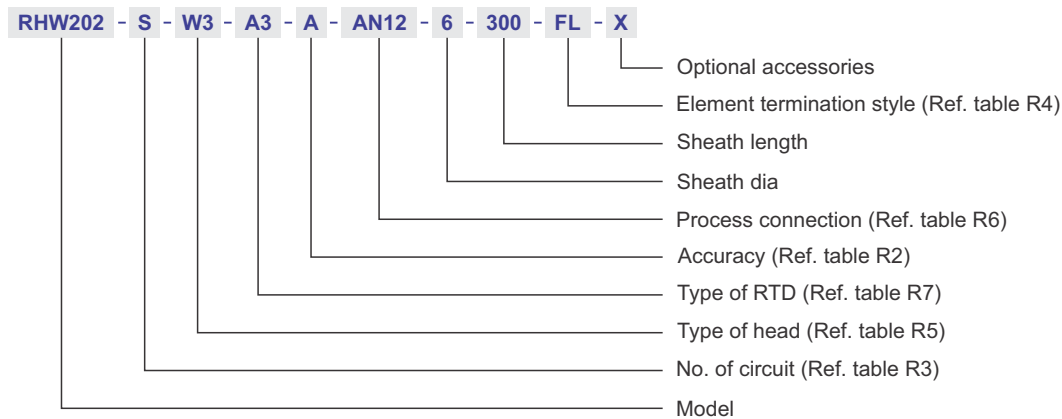
SPECIFICATIONS

	RHW202
Element	Pt-100, 3-wire
Accuracy	Class A / Class AA / Higher
Range	-50 to 250°C
Wetted parts MOC	SS316L (1.4404)
Sheath diameter	6mm (standard) / 8mm / 10mm / 12mm
Sheath length	Upto 300mm
Termination	W.P die-cast aluminum head with threaded cap & chain, single cable entry
Cable gland	1/2" BSP, Single compression
Process connection	Threaded, hex nipple fixed below head

OPTIONAL

- Pt-50 / 200 / 500 / 1000 calibration
- 2-wire / 4-wire configuration
- Other termination heads
- Provision to mount transmitter
- Polyamide cable gland 1/2"NPT
- Head mounted transmitter
- Connection cables
- Mineral insulated RTD (Refer model RHW502)
- Flameproof termination head (Refer model RHX202 / RHX502)
- ATEX / IECEX certified terminal heads

HOW TO ORDER



Abbreviations : D - Sheath Dia, IL - Insertion Length

All dimensions are in mm, unless otherwise specified.

PC MOC

TABLE R1

CODE	TYPE
A	SS304
C	SS316

ACCURACY

TABLE R2

CODE	TYPE
A	Class A (½ DIN)
Y	Class AA (⅓ DIN)
K	Class 1/5 DIN
B	Class B (DIN)

NO. OF CIRCUITS

TABLE R3

CODE	TYPE
S	Single element
D	Dual element

TERMINATION

TABLE R4

CODE	TYPE
FL	Flying leads
TB	Terminal block

PROCESS CONNECTION

TABLE R6

THREAD	MOC	CODE
¼" BSP / G¼"	SS304 SS316	ABP14 / AG14 CBP14 / CG14
⅜" BSP / G⅜"	SS304 SS316	ABP38 / AG38 CBP38 / CG38
½" BSP / G½"	SS304 SS316	ABP12 / AG12 CBP12 / CG12
¾" BSP / G¾"	SS304 SS316	ABP34 / AG34 CBP34 / CG34
¼" NPT	SS304 SS316	AN14 CN14
⅜" NPT	SS304 SS316	AN38 CN38
½" NPT	SS304 SS316	AN12 CN12
¾" NPT	SS304 SS316	AN34 CN34

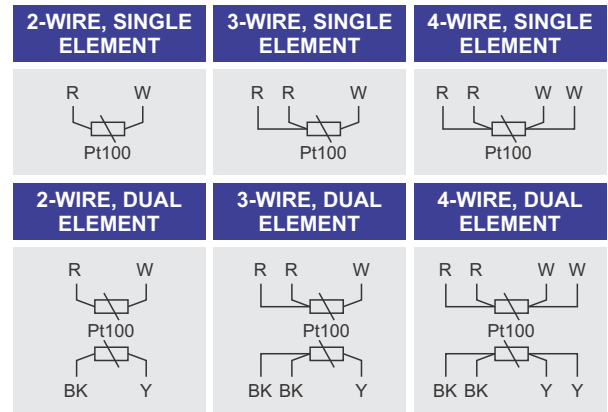
TYPE OF RTD

TABLE R7

CODE	CONNECTION
A2	Pt100, 2 wire
A3	Pt100, 3 wire
A4	Pt100, 4 wire
B3	Pt500, 3 wire
C2	Pt1000, 2 wire

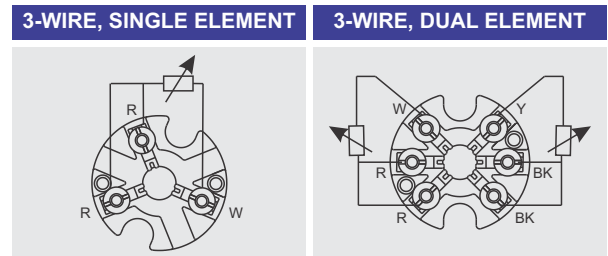
CIRCUIT DIAGRAM

TABLE R8



TERMINAL BLOCK

TABLE R9



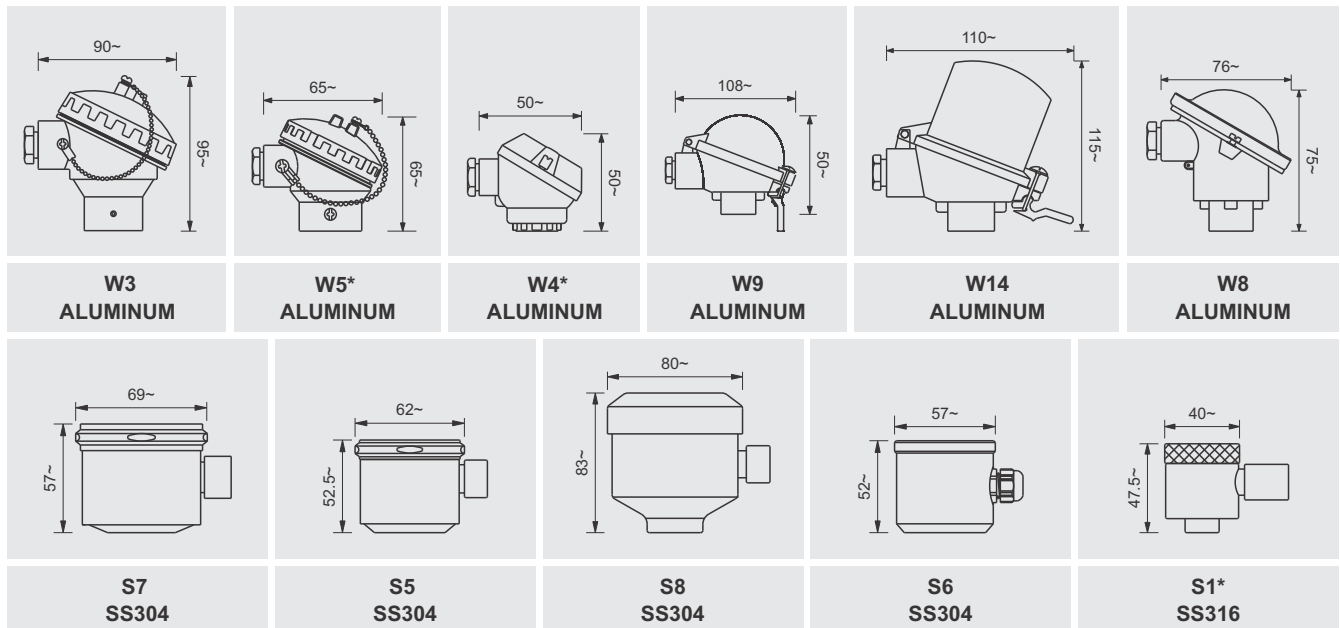
OPTIONAL ACCESSORIES

TABLE R10

CODE	ITEM
A	Head mounted transmitter Model - TX1HM
B	Head mounted transmitter Model - SCC 641
PN12	Polyamide gland, ½"NPT

TERMINAL HEADS

TABLE R5



* Head mounted transmitter not offered

Abbreviation : PC - Process Connection

All dimensions are in mm, unless otherwise specified.