

COMPACT RTD SENSORS

- Pt100, 4-wire
- Class A accuracy as standard
- -70...+200°C measuring range
- 6mm sheath diameter
- M12 connector with IP69K for electrical connection
- Variable insertion lengths from 50mm onwards
- AISI 316L (1.4404) sheath
- G½", G¼", ¼"NPT & ½"NPT adjustable fittings, SS316L
- Surface finish : Ra ≤ 0.51µm for wetted surfaces
- Temperature range (ambient) : -40...+80°C

OPTIONAL

- Class AA (Y)**
- Dual element
- Pt500 / 1000
- Connecting cable 5 meter long
- Cable sockets (BAS / BSS)
- -50...+250°C range
- Surface finish Ra ≤ 0.38µm

RESPONSE TIME

Tip Dia.	Imm. Length	T _{0.5}	T _{0.9}
6 mm	100 mm	4 s	9 s

T_{0.5} and T_{0.9} shows the response times at 50% and 90% of the step change. This data is measured by immersing the sensing bulb from ambient temperature to boiling water flowing at 0.4 m/sec. The result may vary according to the measuring environment and condition.

M12 SOCKET WITH CABLE

Order Code	Description
BS5	Straight, M12, 5M PVC integral cable
BA5	Angular, M12, 5M PVC integral cable
BSS-4PF5	Straight, M12 socket + 5M. 4 core PFA cable
BAS-4PF5	Angular, M12 socket + 5M. 4 core PFA cable
BSS-8PF5	Straight, M12 socket + 5M. 8 core PFA cable
BAS-8PF5	Angular, M12 socket + 5M. 8 core PFA cable
BSS-4Si5	Straight, M12 socket + 5M. 4 core PFA / Si Rubber cable
BAS-4Si5	Angular, M12 socket + 5M. 4 core PFA / Si Rubber cable
BSS-8Si5	Straight, M12 socket + 5M. 8 core PFA / Si Rubber cable
BAS-8Si5	Angular, M12 socket + 5M. 8 core PFA / Si Rubber cable

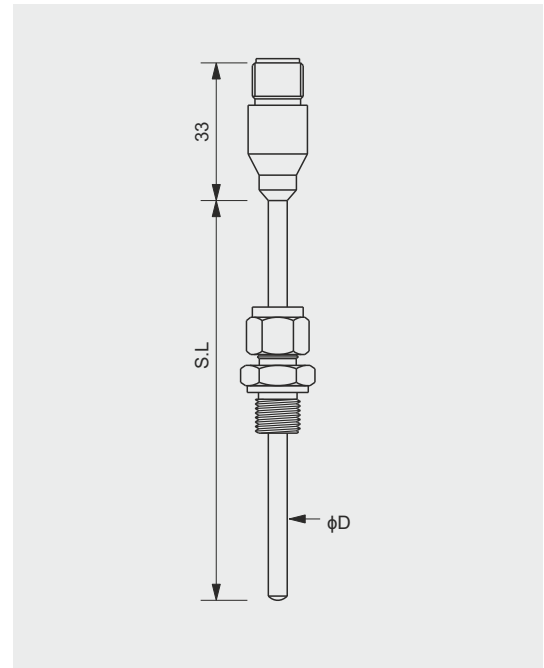
HOW TO ORDER

RCM206	S	A3	A	G14	6	100	X
--------	---	----	---	-----	---	-----	---

Optional accessories
 Sheath length in mm (S.L.)
 Sheath diameter in mm (D)
 Process connection
 Accuracy
 Type of RTD
 No. of circuit
 Model

** Class AA : ± 0.1°C / ± 0.04Ω at 0°C

Abbreviations : D - Sheath Dia, SL - Sheath Length



ADJUSTABLE COMPRESSION FITTINGS

Thread				
Code	G14	G12	N14	N12

ELECTRICAL CONNECTION

