

PID CONTROLLERS

Full Featured

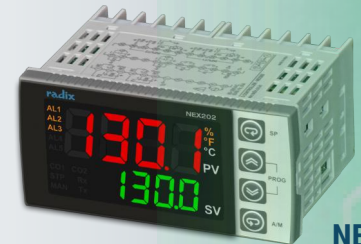
- SINGLE / DUAL PID LOOP
- LARGE DISPLAY
- 2 ANALOG OUTPUTS, 7 RELAYS (MAXIMUM)
- IP66 / NEMA 4X
- LOW DEPTH



NEX201
48x48x85



NEX203
48x96x60



NEX202
96x48x60



NEX205
96x96x60



NEX206
96x96x60



NEX207
164.3x177.5x125

PID CONTROLLERS

Full Featured

FEATURES

- Versions
 - PID - Single loop (Includes Onoff Controller and Indicator modes)
 - PID - Dual loop
 - Heat+cool
 - PID - Single loop, 16-segment profile
 - VMD
- PID Control with Fuzzy Logic
- IP66 (IEC) / NEMA 4X protection
- 1 or 2 universal inputs
- Sampling time 50ms/200ms programmable
- Upto 6 digital inputs
- Third row display : Output power
- Control outputs - User programmable between relays / analog output
- Upto 7 setpoints
- Isolated 2 x 0/4~20 mA or 0-10 V DC for control / retransmission output
- Isolated RS485/Modbus RTU
- Autotuning function
- Auto/manual control
- Calibration & configuration through PC utility
- User friendly keyboard interface with password protection
- User key with assignable function
- Other functions
 - Single ramp/soak
 - Soft start
 - Bumpless transfer
 - Anti reset windup
 - Four PID groups selectable
 - Remote setpoint input function
 - Heater break alarm (CT input)
 - Standby function
 - Parameter Mask

PID CONTROLLERS

Full Featured

SPECIFICATIONS

All specifications at ambient of 25 °C unless specified otherwise

<p>INPUTS</p> <p>No of input Input group 1 Thermocouple RTD Voltage Current Input group 2 Thermocouple RTD Current Voltage Sampling time Transmitter supply (V_{TX}) Range limits Accuracy Cold junction compensation Sensor break protection Digital inputs</p>	<p>2 (Input1, Input2) B, E, J, K, N, R, S, T Pt100 0~50 mV, 0~10 V 4~20 mA B, C, D, E, G, J, K, N, R, S, T, L, U, PLII Pt100, Cu53, JPT100 0~20 mA, 4~20 mA, 4~20 mA with Square root -10~20mV, 0~50 mV, 0~200 mV, 0~2 V, 0~5 V, 0~10V 50 ms / 200 ms programmable 22 V nominal, 30 mA max See Table 1 Thermocouple : ±0.25% of FS ±1°C Pt100 : ±0.05% of FS ±0.5°C Linear inputs : ±0.1% FS or less Automatic/User programmable User programmable Isolated potential free contact closure</p>	<p>INDICATION</p> <p>See Table 2</p>	
<p>OUTPUTS</p> <p>No. of setpoints No. of relays Relay contact type Relay contact rating SSR drive No. of analog outputs Current output Maximum load for current output Voltage output Load for voltage output</p>	<p>Upto 2 Setpoints for control Upto 3 / 4 / 5 setpoints for alarm / On-off control See Table 2 NO-C-NC, NO-C 7A/230 VAC 5A/230 VAC 12 V DC drive signal for external SSR 0 / 1 / 2 4~20 mA / 0~20 mA / 20~4 mA / 20~0 mA isolated from input 500 ohms 0-10 V / user specified >10 Kohms</p>	<p>COMMUNICATION</p> <p>Port Protocol Slave ID Baud rate</p> <p>POWER SUPPLY</p> <p>Supply voltage</p> <p>AUTO/MANUAL OPERATION</p> <p>Function Auto / Manual transfer</p> <p>ISOLATION</p> <p>Mutual isolation between input, supply, relays, analog output, digital input, Rs485</p> <p>ENCLOSURE</p> <p>TEMPERATURE, HUMIDITY</p> <p>Ambient operating temperature Ambient operating humidity</p>	<p>Rs485 Modbus RTU User programmable (1~247) User programmable (2.4K, 4.8K, 7.2K, 9.6K, 19.2K, 38.4K, 57.6K)</p> <p>a. 85~265V AC, 50/60hz b. 20~55V DC</p> <p>Output power is increased/decreased by UP/DOWN keys in manual mode Bumpless</p> <p>1500 VAC RMS, 50hz / 1minute</p> <p>See Table 2</p> <p>-10 to 50 °C Below 90% RH, non-condensing</p>

PROGRAMMABLE PARAMETERS *

<p>Mode User key / Digital input Setpoint lock Power on delay Soft start function Time out for run mode Input type High/Low scales of input Setpoint Resolution Unit Digital filter CJC PID groups Control type Band (P) Integral time (I) Derivative time (D) Cycle time</p>	<p>Indicator/On-off Controller/PID Controller Programmable function such as start, stop, run, hold profile, autotune, etc ON, OFF 0~999 seconds Timer / setpoint / % output None / 10 seconds / 1 min / 9 min TC/RTD/Linear input Full range (See Table 1) Full range (See Table 1) User selectable 0.001, 0.01, 0.1 or 1 for linear input, 0.1 or 1 for temperature °C, °F, EU None / low / high Auto / off / -10 to 60°C 1-4 Heat/Cool/Heat+Cool 0.1~999.9, 0~100% of span Off, 1~6000 seconds Off, 1~6000 seconds 1~1000 second</p>	<p>Manual reset High/low limits of power Dead band for heat+cool Cool coefficient heat+cool Cool Compressor delay Alarm logic Alarm delay Alarm acknowledge Relay action Single ramp/soak 16 Segment profile</p>	<p>-99 to 99 °C -3~103% -50~50% 0~100% 0~999 min a. Fullscale high alarm b. Full scale low alarm c. Deviation high alarm d. Deviation low alarm e. Inband alarm f. Outband alarm g. Heat h. Cool 0~999 second/minute Reset alarm through user key / digital input Reverse / direct Ramp: 0~999.9 °C /min or hour Soak time : 0~999 minutes a) Setpoints - Full range (see table 1) b) Ramp/soak rate : 1~999 min/hour c) Other functions : Profile repeat/resume, hold band, etc.</p>
---	--	--	---

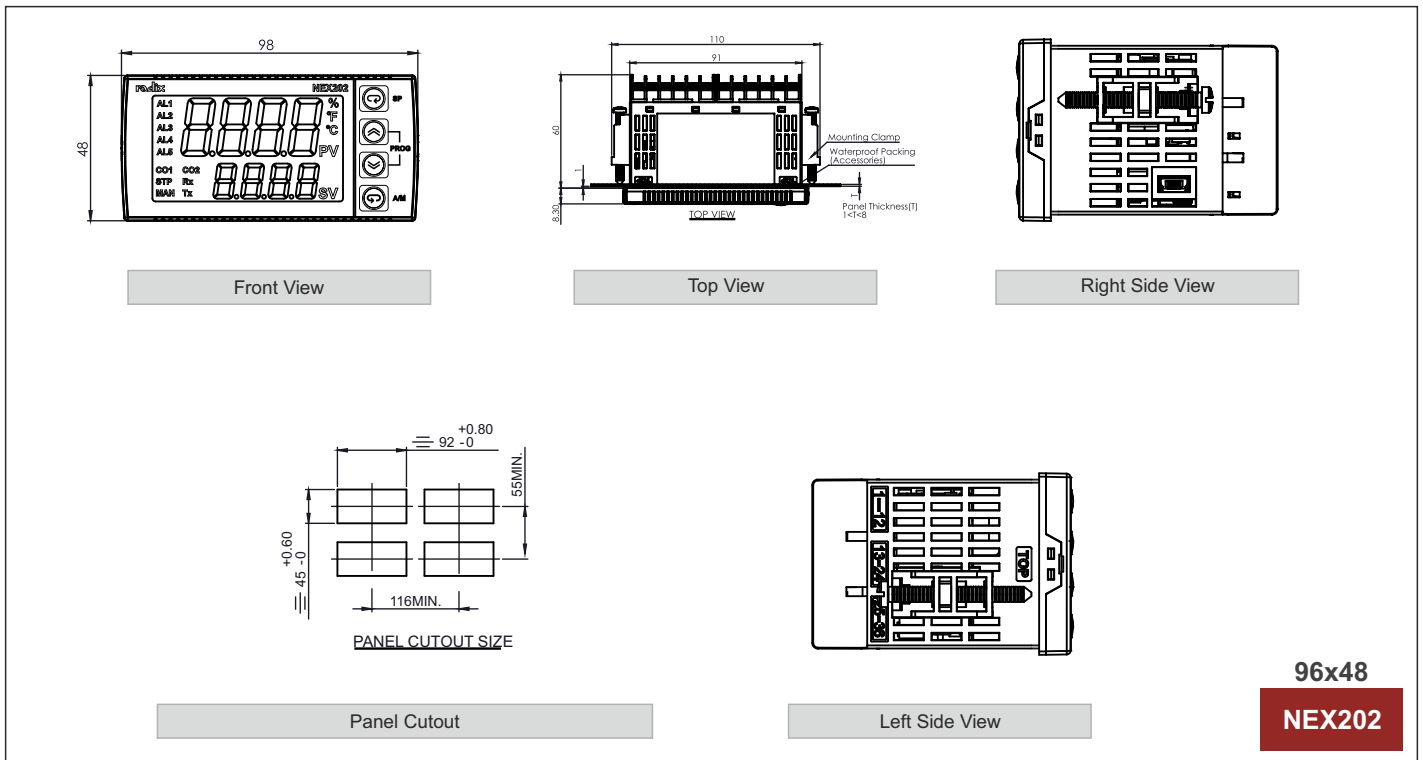
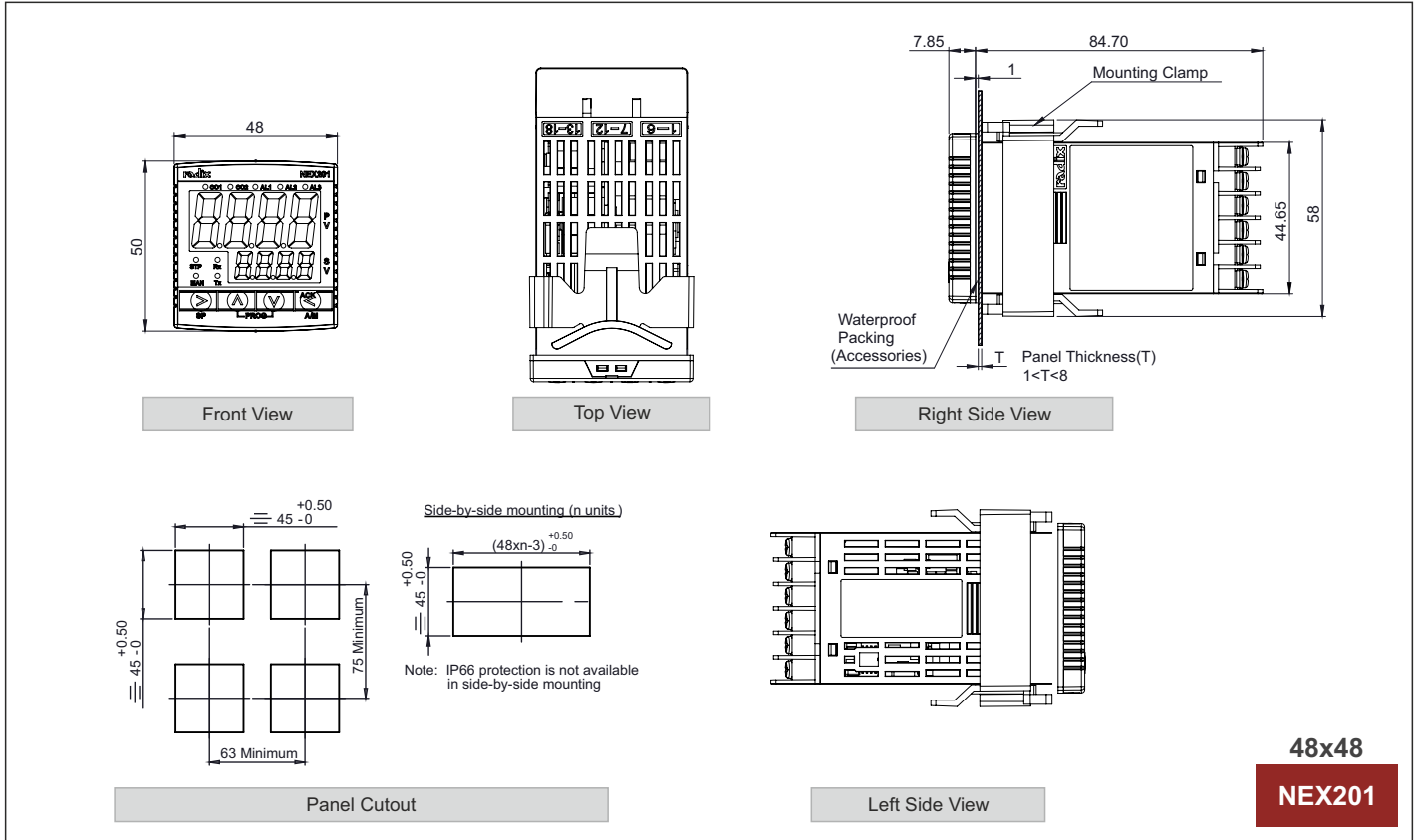
*Major parameters are listed here.

PID CONTROLLERS

Full Featured

DIMENSIONS mm

Fig.1

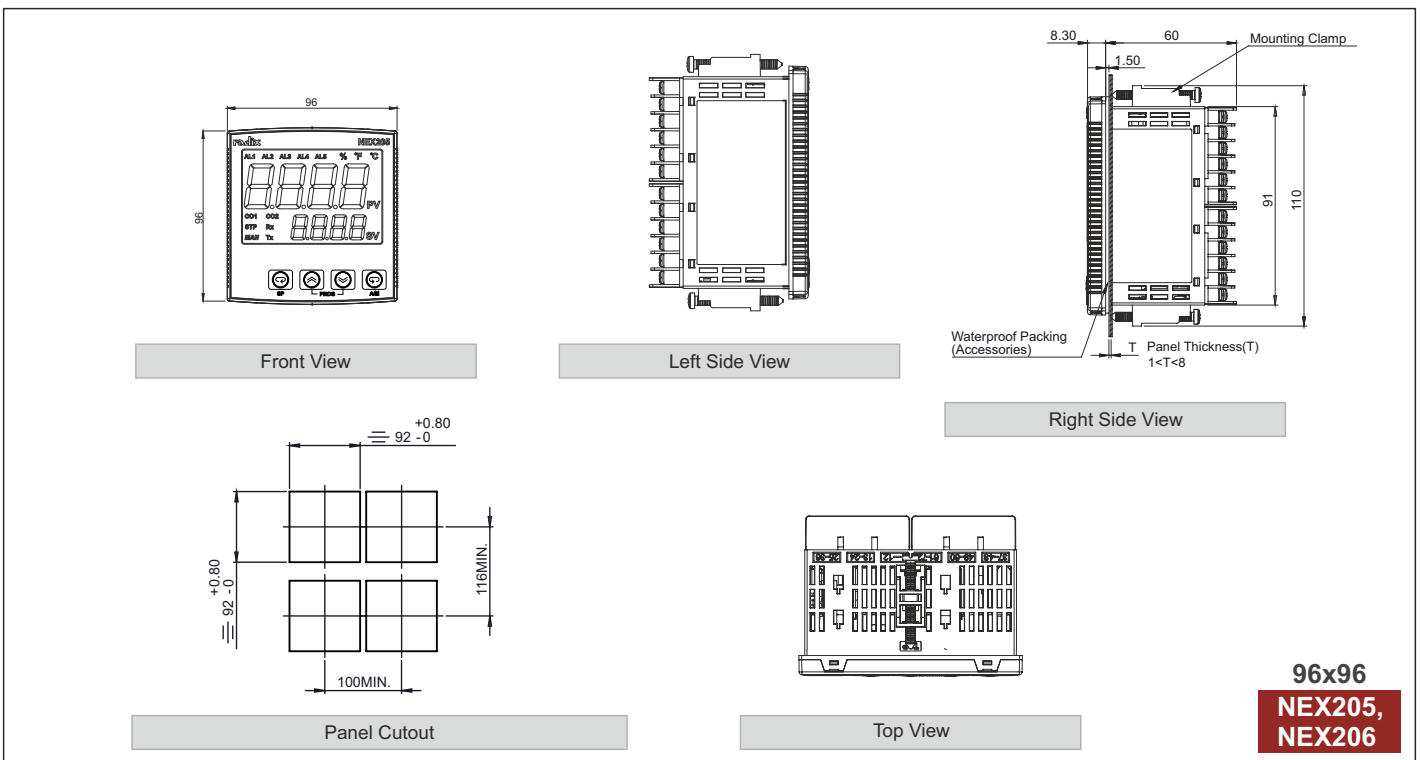
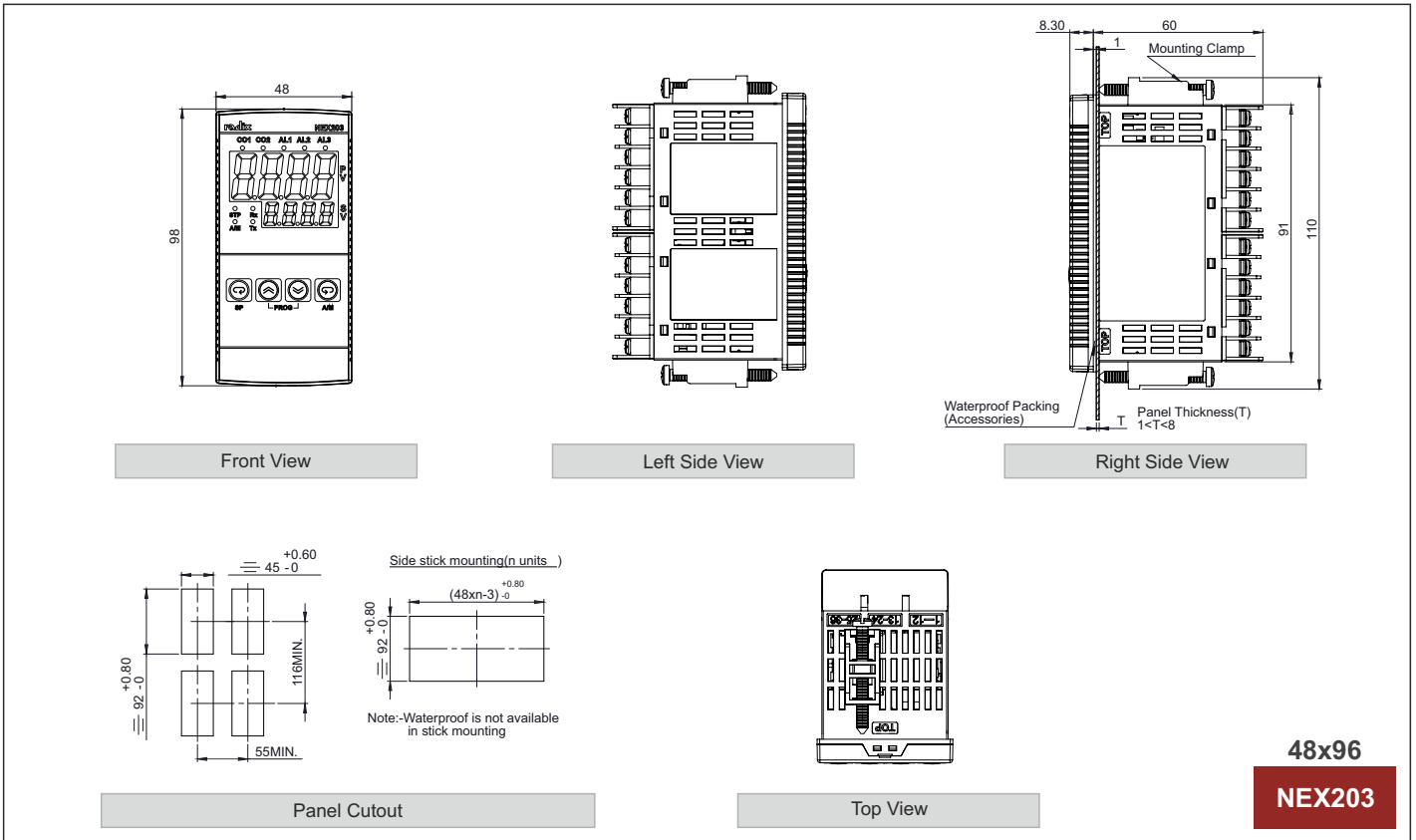


PID CONTROLLERS

Full Featured

DIMENSIONS mm

Fig.1

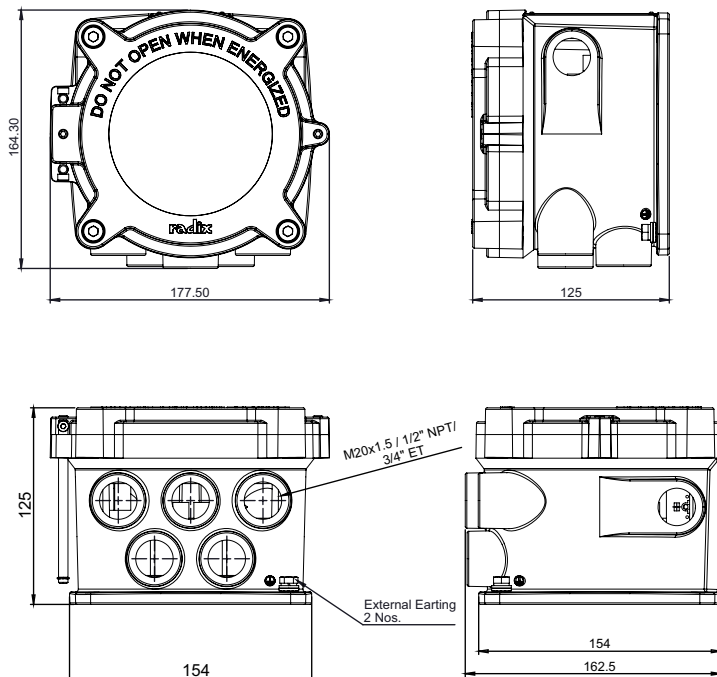


PID CONTROLLERS

Full Featured

DIMENSIONS mm

Fig.1



NEX207

TABLE 1

Input group 1

SENSOR / INPUT	RANGE LIMITS (°C / EU)	
	LOW SCALE	HIGH SCALE
Pt - 6% Rh / Pt - 30% Rh (B)	400	1800
Chromel / Constantan (E)	-200	850
Iron / Constantan (J)	-200	760
Chromel / Alumel (K)	-200	1370
Nicrosil / Nisil (N)	-200	1300
Pt / Pt - 13% Rh (R)	0	1700
Pt / Pt - 10% Rh (S)	0	1700
Copper / Constantan (T)	-200	400
Pt100, 3-wire	-200	850
Linear (0-50 mV, 4-20 mA, 0-10 V)	-1999	9999

Additional Inputs for Input group 2

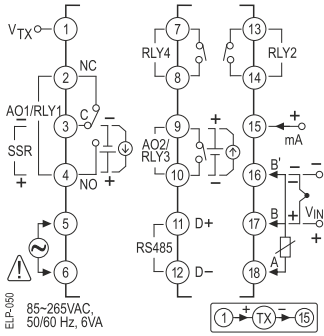
SENSOR / INPUT	RANGE LIMITS (°C / EU)	
	LOW SCALE	HIGH SCALE
Tungsten - 5% Rh / Tungsten - 26% Rh (C)	0	2300
Tungsten - 3% Rh / Tungsten - 25% Rh (D)	0	2000
Tungsten / Tungsten - 26% Rh (G)	0	2310
Iron / Constantan (L)	-200	900
Copper / Constantan (U)	-200	600
Platinum - 40% Rh / Platinum - 20% Rh (2040)	0	1880
JPT100	-200	600
Cu53	0	150
Linear (-10-20mV, 0-50 mV, 0-200 mV, 0-2 V, 0-5 V, 0-10V)	-1999	9999
Linear (4-20 mA) with square root	0	9999

PID CONTROLLERS

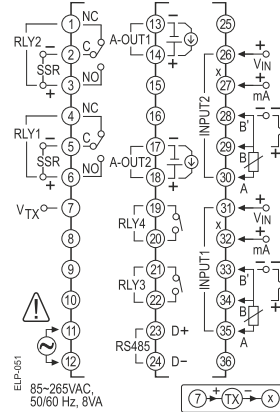
Full Featured

CONNECTION DIAGRAMS *

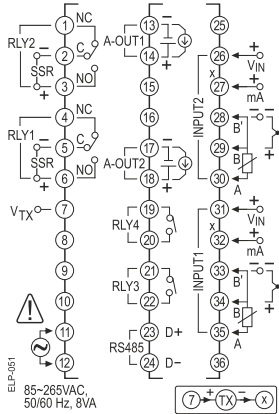
NEX201



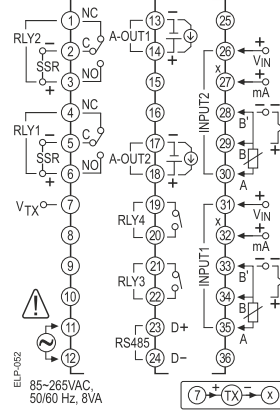
NEX202



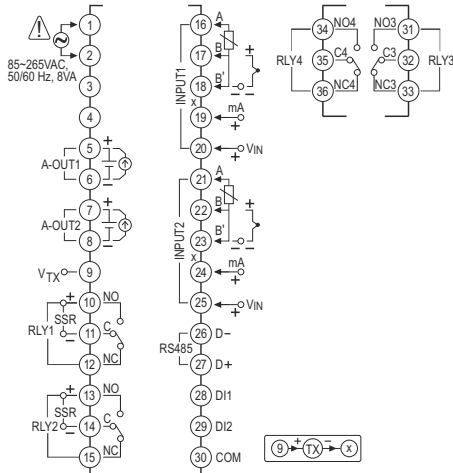
NEX203



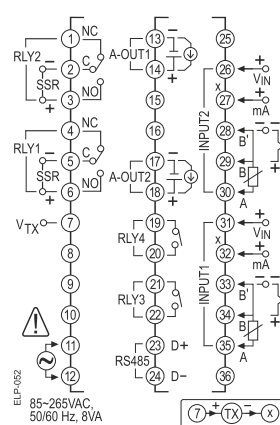
NEX205



NEX207



NEX206



* For other configurations, contact sales

Examples







NEX201 : 5xRelays + RS485

NEX205 : Configuration shown above +
3xRelays (total 7) + 6xDigital inputs

PID CONTROLLERS

Full Featured

TABLE 2 : SELECTION TABLE

Product Photo						
Model	NEX201	NEX202	NEX203	NEX205	NEX206	NEX207
Number of inputs/Input type	2 x Universal input					
Size	48W x 48H x 85D mm	96W x 48H x 60D mm	48W x 96H x 60D mm	96W x 96H x 60D mm	96W x 96H x 60D mm	177.5W x 164.3H x 125D
Display	Upper 0.64" / 16.3 mm Lower 0.354" / 9 mm	Upper 0.75" / 19 mm Lower 0.45" / 11.4 mm	Upper 0.64" / 16.3 mm Lower 0.354" / 9 mm	Upper 1" / 25.4 mm Lower 0.56" / 14.2 mm	Upper 1" / 25.4 mm Lower 0.56" / 14.2 mm Lower 0.31" / 7.87 mm	Upper 1" / 25.4 mm Lower 0.56" / 14.2 mm
* Relay output	Maximum - 5	Maximum - 6	Maximum - 6	Maximum - 7	Maximum - 7	Maximum - 4
* Isolated analog output	Isolated 2 x 0/4~20 mA or 0-10 V DC for control / retransmission output					
* Communication	Isolated RS485/Modbus RTU					
Digital inputs	Upto 3	Upto 3	Upto 3	Upto 6	Upto 6	Upto 2
Transmitter excitation supply	Available					
Mounting	Panel					Surface
Terminals	M3 screw, suitable upto 2 mm ² wire					M2.5 screw, suitable upto 2.5 mm ² wire
Housing material	ABS plastic, grade: UL94V-0					Cast AL (Powder coated)
Protection	Front IP66 (IEC) / NEMA 4X (When properly installed using IP66 kit) Rear (behind panel) IP20 (IEC)					IP66
Certification	-					Flameproof, Gr IIA, IIB & IIC
Cable gland	-					½" NPT double compression (brass) # 3/5/7 cable entries available
Weight	Approx. 175 gm	Approx. 240 gm	Approx. 240 gm	Approx. 400 gm	Approx. 400 gm	Approx. 3 kg
Maximum configuration	A: 1 x Input, 2 x Relays, 2 x Analog outputs, RS485 B: 1 x Input, 5 x Relay, RS485 C: 2 x Input, 2 x Relay, or 2 x Analog outputs, RS485	A: 1 x Input, 2 x Relay, 2 x Analog output, 2 Alarms, RS485 B: 1 x Input, 6 x Relay C: 2 x Input, 2 x Relay, 2 x Analog outputs, 2 Alarms, RS485	A: 1 x Input, 2 x Relay, 2 x Analog output, 2 Alarms, RS485 B: 1 x Input, 6 x Relay C: 2 x Input, 2 x Relay, 2 x Analog outputs, 2 Alarms, RS485	A: 2 x Input, 7 x Relay, 2 x Analog outputs, 6 x Digital Input, RS485	A: 2 x Input, 7 x Relay, 2 x Analog outputs, 6 x Digital Input, RS485	A: 2 x Input, 4 x Relay, 2 x Analog outputs, 2 x Digital Input, RS485

Cable gland is not part of standard accessories

* These may be optional with other outputs. Please check order code for the same.

PID CONTROLLERS

Full Featured

ORDERING INFORMATION

MODEL : NEX201 (48x48)

CODE	SPECIFICATION	1	2	3	4	5	6
2587							
1	Version						
	PID - Single loop	A					
	PID - Dual loop - Note 1	B					
	PID - Heat + Cool	C					
	PID - Single loop, 16-segment profile	D					
2	Number of inputs (For Group2 - Contact Factory)						
	1 x Universal input (Group1)		1				
	2 x Universal input (Group1) - Note1, Note2		2				
	1 x Universal input (Group1) + 1 x Current transformer input (with relay) - Note2		3				
	1 x Universal input (Group1) + 3 x Digital input - Note2		4				
3	Relay outputs - Note3						
	None			N			
	2 Relays - (NO1-C1-NC1, NO2-C2)			2			
	3 Relays - (NO1-C1-NC1, NO2-C2, NO3-C3)			3			
	4 Relays - (NO1-C1-NC1, NO2-C2, NO3-C3, NO4-C4) Note2			4			
	5 Relays - (NO1-C1-NC1, NO2-C2, C-NO3-NO4-NO5)			5			
4	Analog outputs						
	None				N		
	1 x 4~20 mA				A		
	1 x 0~10V				B		
	2 x 4~20 mA - Note2				C		
	2 x 0~10V - Note2				D		
	1 x 4~20 mA + 1 x Analog output 0~10V - Note2				E		
5	RS485 - Note2						
	None					N	
	RS485 / MODBUS RTU					A	
6	Power supply						
	85~265 VAC						1
	20VDC - 55VDC						2

FOR NEX201

Note1 : For dual loop PID or remote setpoint input , 2 x Universal input has to be selected

Note2 : A) Only one of the options a), b) or c) can be selected.

- a) 3, 4 or 5 relays
- b) 2nd input
- c) 2nd analog output

B) For second input voltage input type contact sales.

Note3 : Relay outputs : Contact sales for SSR drive outputs.

See Preferred Order Codes list. For order codes outside this list, larger MOQ will apply. Contact sales.

PID CONTROLLERS

Full Featured

ORDERING INFORMATION

MODEL : NEX202 (96x48)

CODE	SPECIFICATION	1	2	3	4	5	6
2706							
1	Version						
	PID - Single loop	A					
	PID - Dual loop - Note1	B					
	PID - Heat + Cool	C					
	PID - Single loop, 16-segment profile	D					
2	Number of inputs (For Group2 - Contact Factory)						
	1 x Universal input (Group1)		1				
	2 x Universal input (Group1) - Note1		2				
	1 x Universal input + 1 x Current transformer input (with relay)		3				
	1 x Universal input (Group1) + 3 x Digital input		4				
3	Relay outputs - Note3						
	None			N			
	2 Relays - (NO1-C1-NC1, NO2-C2-NC2)			2			
	3 Relays - (NO1-C1-NC1, NO2-C2-NC2, NO3-C3) Note4			3			
	4 Relays - (NO1-C1-NC1, NO2-C2-NC2, NO3-C3, NO4-C4) Note4			4			
	5 Relays - (NO1-C1-NC1, NO2-C2-NC2, NO3-C3, NO4-C4, NO5-C5) Note2			5			
4	Analog outputs - Note2						
	None				N		
	1 x 4~20 mA				A		
	1 x 0~10V				B		
	2 x 4~20 mA				C		
	2 x 0~10V				D		
	1 x 4~20 mA + 1 x 0~10V				E		
5	RS485						
	None					N	
	RS485 / MODBUS RTU					A	
6	Power supply						
	85~265 VAC						1
	20VDC - 55VDC						2

FOR NEX202

Note1 : For dual loop PID or remote setpoint input, 2 x Universal input has to be selected

Note2 : For fifth relay : Analog outputs are not possible and only one input is possible

Note3 : Relay outputs : Contact sales for SSR drive outputs.

Note4 : For NO-C-NC contacts for relay 3 & 4 contact sales. For this configuration analog outputs will not be possible.

See Preferred Order Codes list. For order codes outside this list, larger MOQ will apply. Contact sales.

PID CONTROLLERS

Full Featured

ORDERING INFORMATION

MODEL : NEX203 (48x96)

CODE	SPECIFICATION	1	2	3	4	5	6
2752							
1	Version						
	PID - Single loop	A					
	PID - Dual loop - Note1	B					
	PID - Heat + Cool	C					
	PID - Single loop, 16-segment profile	D					
2	Number of inputs (For Group2 - Contact Factory)						
	1 x Universal input (Group1)		1				
	2 x Universal input (Group1) - Note1		2				
	1 x Universal input + 1 x Current transformer input (with relay)		3				
	1 x Universal input (Group1) + 3 x Digital input		4				
3	Relay outputs - Note3						
	None			N			
	2 Relays - (NO1-C1-NC1, NO2-C2-NC2)			2			
	3 Relays - (NO1-C1-NC1, NO2-C2-NC2, NO3-C3) Note4			3			
	4 Relays - (NO1-C1-NC1, NO2-C2-NC2, NO3-C3, NO4-C4) Note4			4			
	5 Relays - (NO1-C1-NC1, NO2-C2-NC2, NO3-C3, NO4-C4, NO5-C5) Note2			5			
4	Analog outputs - Note2						
	None				N		
	1 x 4~20 mA				A		
	1 x 0~10V				B		
	2 x 4~20 mA				C		
	2 x 0~10V				D		
	1 x 4~20 mA + 1 x 0~10V				E		
5	RS485						
	None					N	
	RS485 / MODBUS RTU					A	
6	Power supply						
	85~265 VAC						1
	20VDC - 55VDC						2

FOR NEX203

Note1 : For dual loop PID or remote setpoint input, 2 x Universal input has to be selected

Note2 : For fifth relay : Analog outputs are not possible and only one input is possible

Note3 : Relay outputs : Contact sales for SSR drive outputs.

Note4 : For NO-C-NC contacts for relay 3 & 4 contact sales. For this configuration analog outputs will not be possible.

See Preferred Order Codes list. For order codes outside this list, larger MOQ will apply. Contact sales.

PID CONTROLLERS

Full Featured

ORDERING INFORMATION

MODEL : NEX205 (96x96)

CODE	SPECIFICATION	1	2	3	4	5	6
2716							
1	Version						
	PID - Single loop	A					
	PID - Dual loop - Note1	B					
	PID - Heat + Cool	C					
	PID - Single loop, 16-segment profile	D					
2	Number of inputs (For Group2 - Contact Factory)						
	1 x Universal input (Group1)		1				
	2 x Universal input (Group1) - Note1		2				
	1 x Universal input (Group1) + 1 x Current transformer input (with relay)		3				
	1 x Universal input (Group1) + 3 x Digital Input		4				
	1 x Universal input (Group1) + 6 x Digital Input		5				
	2 x Universal input (Group1) + 6 x Digital Input		6				
3	Relay outputs - Note2						
	None			N			
	2 Relays - (NO1-C1-NC1, NO2-C2-NC2)			2			
	3 Relays - (NO1-C1-NC1, NO2-C2-NC2, NO3-C3) Note2			3			
	4 Relays - (NO1-C1-NC1, NO2-C2-NC2, NO3-C3, NO4-C4) Note2			4			
	5 Relays - (NO1-C1-NC1, NO2-C2-NC2, NO3-C3, NO4-C4, NO5-C5) Note2			5			
	6 Relays - Note3			6			
	7 Relays			7			
	4 Relays - (NO1-C1-NC1, NO2-C2-NC2, NO3-C3-NC3, NO4-C4-NC4)			8			
4	Analog outputs						
	None				N		
	1 x 4~20 mA				A		
	1 x 0~10V				B		
	2 x 4~20 mA				C		
	2 x 0~10V				D		
	1 x 4~20 mA + 1 x 0~10V				E		
5	RS485						
	None					N	
	RS485 / MODBUS RTU					A	
6	Power supply						
	85~265 VAC						1
	20VDC - 55VDC						2

FOR NEX205

Note1 : For dual loop PID or remote setpoint input , 2 x Universal input has to be selected

Note2 : Relay outputs : Contact sales for SSR drive outputs.

Note3 : Relay 5-6 : Contact sales for NO-C-NC contacts

See Preferred Order Codes list. For order codes outside this list, larger MOQ will apply. Contact sales.

PID CONTROLLERS

Full Featured

ORDERING INFORMATION

MODEL : NEX206 (96x96)

CODE	SPECIFICATION	1	2	3	4	5	6
2824							
1	Version						
	PID - Single loop	A					
	PID - Dual loop - Note1	B					
	PID - Heat + Cool	C					
	PID - Single loop, 16-segment profile	D					
2	Number of inputs (For Group2 - Contact Factory)						
	1 x Universal input (Group1)		1				
	2 x Universal input (Group1) - Note1		2				
	1 x Universal input (Group1) + 1 x Current transformer input (with relay)		3				
	1 x Universal input (Group1) + 3 x Digital Input		4				
	1 x Universal input (Group1) + 6 x Digital Input		5				
	2 x Universal input (Group1) + 6 x Digital Input		6				
3	Relay outputs - Note2						
	None			N			
	2 Relays - (NO1-C1-NC1, NO2-C2-NC2)			2			
	3 Relays - (NO1-C1-NC1, NO2-C2-NC2, NO3-C3) Note2			3			
	4 Relays - (NO1-C1-NC1, NO2-C2-NC2, NO3-C3, NO4-C4) Note2			4			
	5 Relays - (NO1-C1-NC1, NO2-C2-NC2, NO3-C3, NO4-C4, NO5-C5) Note2			5			
	6 Relays - Note3			6			
	7 Relays			7			
	4 Relays - (NO1-C1-NC1, NO2-C2-NC2, NO3-C3-NC3, NO4-C4-NC4)			8			
4	Analog outputs						
	None				N		
	1 x 4~20 mA				A		
	1 x 0~10V				B		
	2 x 4~20 mA				C		
	2 x 0~10V				D		
	1 x 4~20 mA + 1 x 0~10V				E		
5	RS485						
	None					N	
	RS485 / MODBUS RTU					1	
6	Power supply						
	85~265 VAC						1
	20VDC - 55VDC						2

FOR NEX206

Note1 : For dual loop PID or remote setpoint input , 2 x Universal input has to be selected

Note2 : Relay outputs : Contact sales for SSR drive outputs.

Note3 : Relay 5-6 : Contact sales for NO-C-NC contacts

See Preferred Order Codes list. For order codes outside this list, larger MOQ will apply. Contact sales.

PID CONTROLLERS

Full Featured

ORDERING INFORMATION

MODEL : NEX207 (Flameproof)

CODE	SPECIFICATION	1	2	3	4	5	6
2772							
1	Version						
	PID - Single loop	A					
	PID - Dual loop - Note1	B					
	PID - Heat + Cool	C					
2	Number of inputs (For Group2 - Contact Factory)						
	1 x Universal input (Group1)		1				
	2 x Universal input (Group1) - Note1		2				
	1 x Universal input (Group1) + 1 x Current transformer input (with relay)		3				
	1 x Universal input (Group1) + 2 x Digital Input		4				
2 x Universal input (Group1) + 2 x Digital Input		5					
3	Relay outputs - Note2						
	None			N			
	2 Relays - (NO1-C1-NC1, NO2-C2-NC2)			2			
	3 Relays - (NO1-C1-NC1, NO2-C2-NC2, NO3-C3-NC3)			3			
4 Relays - (NO1-C1-NC1, NO2-C2-NC2, NO3-C3-NC3, NO4-C4-NC4)			4				
4	Analog outputs						
	None				N		
	1 x 4~20 mA				A		
	1 x 0~10V				B		
	2 x 4~20 mA				C		
	2 x 0~10V				D		
1 x 4~20 mA + 1 x 0~10V				E			
5	RS485						
	None					N	
	RS485 / MODBUS RTU					A	
6	Power supply						
	85~265 VAC						1
	20VDC - 55VDC						2

FOR NEX207

Note1 : For dual loop PID or remote setpoint input, 2 x Universal input has to be selected

Note2 : Relay outputs : Contact sales for SSR drive outputs.

See Preferred Order Codes list. For order codes outside this list, larger MOQ will apply. Contact sales.

PID CONTROLLERS

Full Featured

PREFERRED ORDER CODES

Sr. No.	Product	Order code	Version	Brief Specification	Power Supply
1	NEX201	2587 A12NN1	PID - Single loop	2 Relays	SMPS
2	NEX201	2587 A12NN1	PID - Single loop	1xSSR+1xRelay	SMPS
3	NEX201	2587 A13NN1	PID - Single loop	3 Relays	SMPS
4	NEX201	2587 A12AN1	PID - Single loop	2 Relays+lout	SMPS
5	NEX201	2587D12AA1	Profile Controller	2 Relays+lout+Modbus	SMPS
6	NEX202	2706 A12NN1	PID - Single loop	2 Relays	SMPS
7	NEX202	2706 A12AN1	PID - Single loop	2 Relays+lout	SMPS
8	NEX203	2752 A14NN1	PID - Single loop	4 Relays	SMPS
9	NEX203	2752 A12AN1	PID - Single loop	2 Relays+lout	SMPS
10	NEX205	2716 A2NNN1	Indicator	2 Input	SMPS
11	NEX205	2716 A12NN1	PID - Single loop	2 Relays	SMPS
12	NEX205	2716 A12AN1	PID - Single loop	2 Relays+lout	SMPS
13	NEX205	2716 A12NA1	PID - Single loop	2 Relays+Modbus	SMPS
14	NEX205	2716 A14NN1	PID - Single loop	4 Relays	SMPS
15	NEX205	2716 A14AN1	PID - Single loop	4 Relays+lout	SMPS
16	NEX205	2716 A12BN1	PID - Single loop	2 Relays+Vout	SMPS
17	NEX205	2716 A22NN1	PID - Single loop	2 Inputs+2 Relays	SMPS
18	NEX205	2716 A24NN1	PID - Single loop	2 Inputs+4 Relays	SMPS
19	NEX205	2716 A22AN1	PID - Single loop	2 Inputs+2 Relay+lout	SMPS
20	NEX205	2716 A24AN1	PID - Single loop	2 Inputs+2 Relay+lout	SMPS
21	NEX205	2716 B24CN1	Dual loop PID	2 Inputs+4 Relays+2xlout	SMPS
22	NEX205	2716 D44AA1	Profile Controller	4 Relays+1xlout+Modbus +3 Digital Input	SMPS
23	NEX206	2824 A12AN1	PID - Single loop	2 Relays + lout	SMPS
24	NEX206	2824 A12CN1	PID - Single loop	2 Relays + 2 lout	SMPS
25	NEX206	2824 A22AA1	PID - Single loop	2 Inputs+2 Relay+lout+Modbus	SMPS
26	NEX206	2824 A14AN1	PID - Single loop	4 Relays + lout	SMPS
27	NEX207	2772 A12AN1	PID - Single loop	2 Relays+lout	SMPS
28	NEX207	2772 A14AN1	PID - Single loop	4 Relays+lout	SMPS
29	NEX207	2772 A12NA1	PID - Single loop	2 Relays+Modbus	SMPS
30	NEX207	2772 A2NNN1	Indicator	2 Inputs	SMPS
31	NEX207	2772 A12NN1	PID - Single loop	2 Relays	SMPS
32	NEX207	2772 A22NN1	PID - Single loop	2 Inputs+2 Relays	SMPS
33	NEX207	2772 A1NNA1	Indicator	Indicator+Modbus	SMPS

CAT#642R4/A

ENQUIRIES

Instruments: sales@radix.co.in
Sensors: sensors@radix.co.in
Gauges: gauges@radix.co.in
Automation: automation@radix.co.in
Level: level@radix.co.in

RADIX ELECTROSYSTEMS PVT LTD
 EL-135/136/137, Electronics Zone
 TTC Indl. Area, MIDC, Mahape
 Navi Mumbai - 400 710, India
 + 91 22 42537707 · sales@radix.co.in

radix®
 www.radix.co.in