

INDUSTRIAL AND PROCESS APPLICATIONS

MODEL : EOC SERIES

Designed for control of pressure and audible or visible alarms by switching on and off action.

Used in Pumps, Motors, Turbines, Blowers, Audio / Visual alarms for signaling irregularities.

FEATURES

- Adjustable, snap action contact
- Standard 1NC+1NO switching function.
- Scale ranges upto 0...1000 kg/cm²
- Single or four arm contact with different switching function can also be offered.

DESIGN

EN837-1

NOMINAL DIAL SIZE

100 & 150 mm

ACCURACY

1.6% of FSD & 3% for switching

SCALE RANGES

0...1 kg/cm² to 0...1000 kg/cm² (Single range)
 0...1.06 kg/cm² / 15 psi to 0...700 kg/cm² / 10000 psi (Dual range)
 or other equivalent units of pressure

WORKING PRESSURE

Steady : 75% of FSD
 Fluctuating : 50% of FSD
 Short Time : FSD

OPERATING TEMPERATURE

Ambient : -20 to 60°C
 Medium : 80°C max.

TEMPERATURE EFFECT

When temperature of the pressure element deviates from reference temperature (+30°C) : Max. ±0.4% / 10K of true scale value

PRESSURE ELEMENT

Bourdon tube, SS316L
 ≤70 kg/cm² : C type
 >100 kg/cm² : Helical type

MOVEMENT

SS304



DIAL

Off-white aluminum with black lettering

POINTER

Black aluminum

CASE & BEZEL

SS304 - Bayonet Type

WINDOW

Polycarbonate

PROCESS CONNECTION

Material : SS316 / SS304
 Standard thread : 3/8" or 1/2" BSP/NPT

MOUNTING

Direct Bottom (20)
 Back Eccentric Mount (30)
 Flush Panel with Bracket (40)
 Surface Mount (60)

BOD (VENT PLUG)

Neoprene

ELECTRICAL CONTACT

Type : Magnetic snap action contact
 Rated : Max. 250V, 1Amp
 Capacity : 30Watt, 50VA
 Function : 1NC + 1NO
 Termination : Square terminal box
 Accessories : Round key
 (for adjusting contact arms)



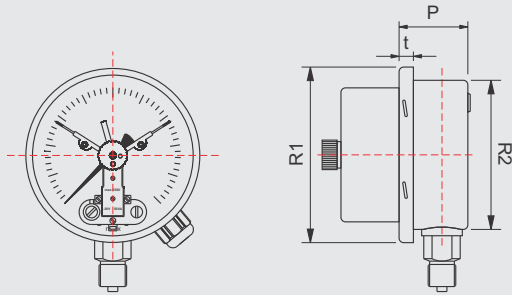
OPTIONAL EXTRA

- Other process connection
- Other contacts with different switching functions
- Connection housing with weatherproof head

DIMENSIONS

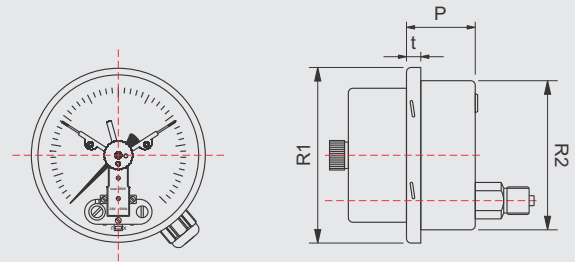
DIRECT BOTTOM

20



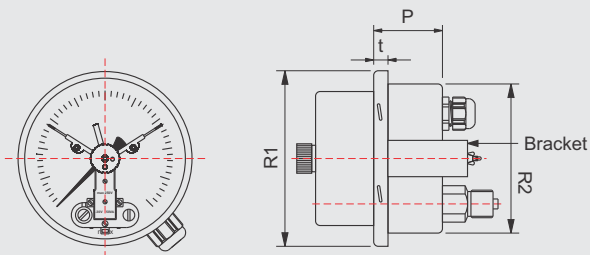
BACK ECCENTRIC MOUNT

30



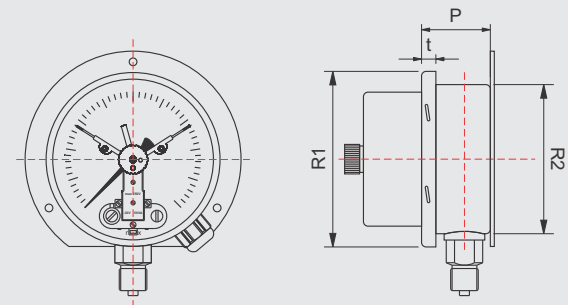
FLUSH PANEL WITH BRACKET

40



SURFACE MOUNT

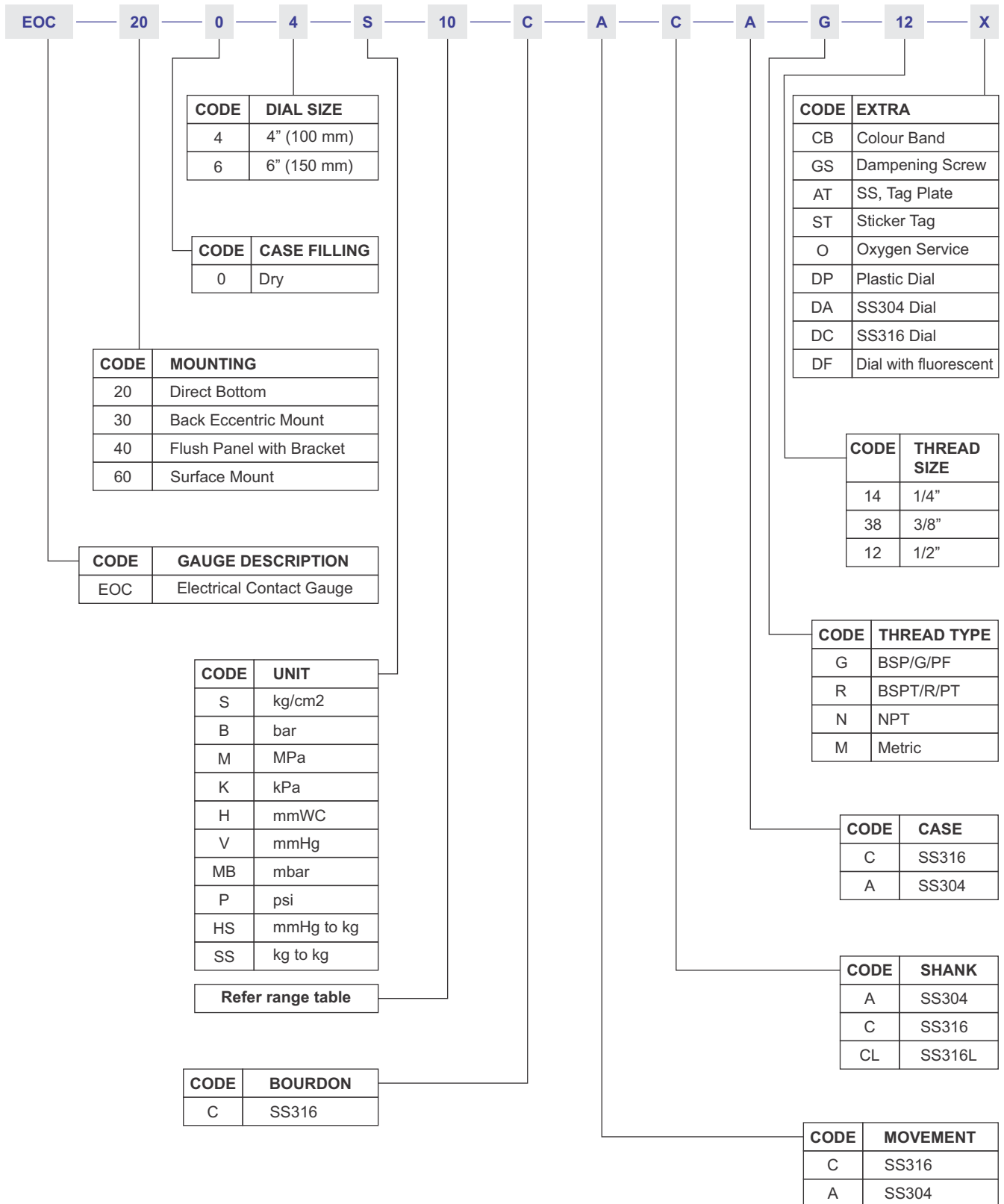
60



DIAL SIZE	R1	R2	t	P	O
100	117	105	17.5	98	22
150	170	157	17.5	98	22

*All dimensions are in mm

HOW TO ORDER



PRESSURE GAUGES

STANDARD RANGES & LEAST COUNT

CODE	RANGE	LEAST COUNT
(SINGLE SCALE)		
S1	0 to 1 kg/cm ²	0.01 kg/cm ²
S1.6	0 to 1.6 kg/cm ²	0.02 kg/cm ²
S2	0 to 2 kg/cm ²	0.05 kg/cm ²
S2.5	0 to 2.5 kg/cm ²	0.05 kg/cm ²
S4	0 to 4 kg/cm ²	0.1 kg/cm ²
S6	0 to 6 kg/cm ²	0.1 kg/cm ²
S10	0 to 10 kg/cm ²	0.1 kg/cm ²
S16	0 to 16 kg/cm ²	0.2 kg/cm ²
S20	0 to 20 kg/cm ²	0.5 kg/cm ²
S25	0 to 25 kg/cm ²	0.5 kg/cm ²
S40	0 to 40 kg/cm ²	1 kg/cm ²
S60	0 to 60 kg/cm ²	1 kg/cm ²
S100	0 to 100 kg/cm ²	1 kg/cm ²
S160	0 to 160 kg/cm ²	2 kg/cm ²
S200	0 to 200 kg/cm ²	5 kg/cm ²
S250	0 to 250 kg/cm ²	5 kg/cm ²
S400	0 to 400 kg/cm ²	10 kg/cm ²
S600	0 to 600 kg/cm ²	10 kg/cm ²
S1000	0 to 1000 kg/cm ²	10 kg/cm ²

CODE	RANGE	LEAST COUNT
(DUAL SCALE)		
D1.06	0 to 1.06 kg/cm ² (15psi)	0.02 kg/cm ² (0.2psi)
D2.1	0 to 2.1 kg/cm ² (30psi)	0.05 kg/cm ² (0.5psi)
D2.8	0 to 2.8 kg/cm ² (40psi)	0.05 kg/cm ² (0.5psi)
D3.5	0 to 3.5 kg/cm ² (50psi)	0.1 kg/cm ² (1psi)
D4.2	0 to 4.2 kg/cm ² (60psi)	0.1 kg/cm ² (1psi)
D7	0 to 7 kg/cm ² (100psi)	0.1 kg/cm ² (1psi)
D10.6	0 to 10.6 kg/cm ² (150psi)	0.2 kg/cm ² (2psi)
D14	0 to 14 kg/cm ² (200psi)	0.2 kg/cm ² (2psi)
D21	0 to 21 kg/cm ² (300psi)	0.5 kg/cm ² (5psi)
D28	0 to 28 kg/cm ² (400psi)	0.5 kg/cm ² (5psi)
D35	0 to 35 kg/cm ² (500psi)	1 kg/cm ² (10psi)
D42	0 to 42 kg/cm ² (600psi)	1 kg/cm ² (10psi)
D70	0 to 70 kg/cm ² (1000psi)	1 kg/cm ² (10psi)
D106	0 to 106 kg/cm ² (1500psi)	2 kg/cm ² (25psi)
D140	0 to 140 kg/cm ² (2000psi)	2 kg/cm ² (20psi)
D210	0 to 210 kg/cm ² (3000psi)	5 kg/cm ² (50psi)
D280	0 to 280 kg/cm ² (4000psi)	5 kg/cm ² (50psi)
D350	0 to 350 kg/cm ² (5000psi)	10 kg/cm ² (100psi)
D420	0 to 420 kg/cm ² (6000psi)	10 kg/cm ² (100psi)
D700	0 to 700 kg/cm ² (10000psi)	10 kg/cm ² (100psi)